



ПОЛУАВТОМАТИЧЕСКИЙ ШИНОМОНТАЖНЫЙ СТАНОК

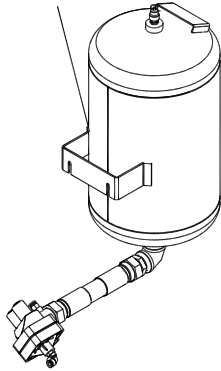
КС-301А



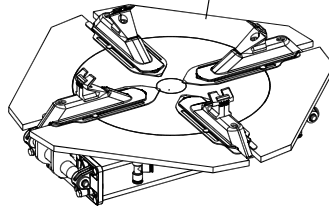
КАТАЛОГ ЗАПЧАСТЕЙ

EAC

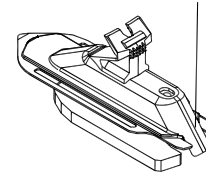
TAV 6.1



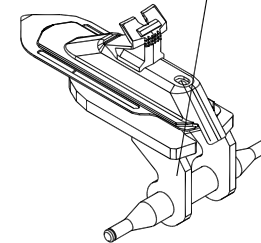
TAV 5-1



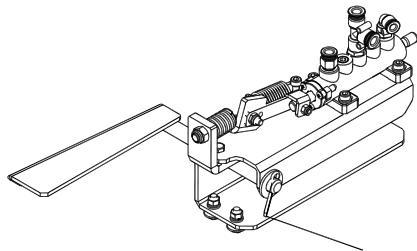
TAV 5.1



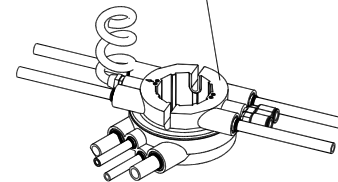
TAV 5.2



TAV 6.2

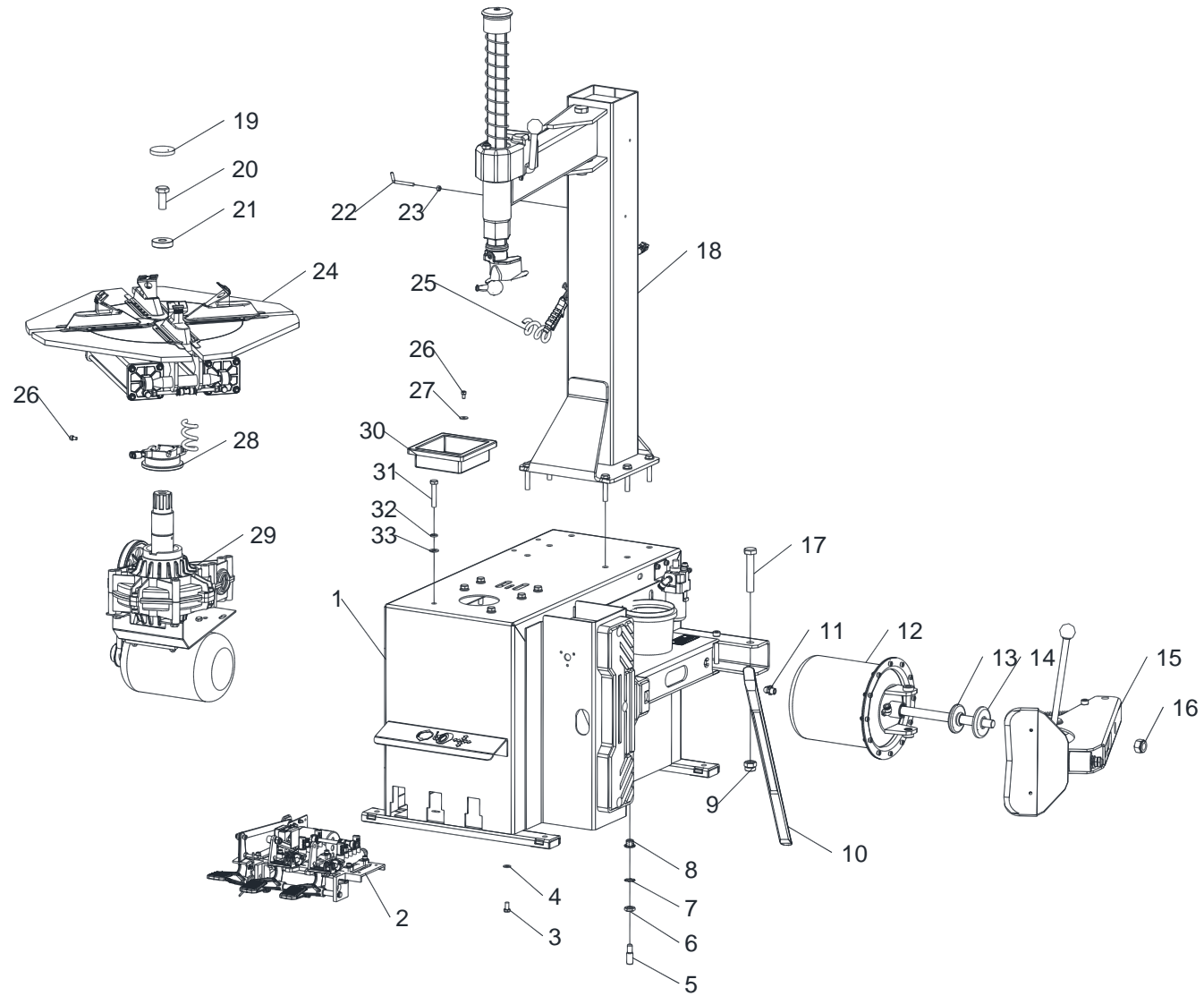


TAV 3.1



TAV.0.2	GT FUNCTION PART	ED. 12/2024
---------	------------------	-------------

3.1	27306018	Rotation union GT	1	YC2-4298992
5.1	27106071	Slide guide	2	YC2-2015755
5.2	27106072	Clamp assembly	2	YC2-2015756
6.1	27306028	Air tank	1	C22A070000
6.2	27106080	GT valve control	1	YC2-2012486
5-1	27106070	Turntable GT	1	YC2-2015856

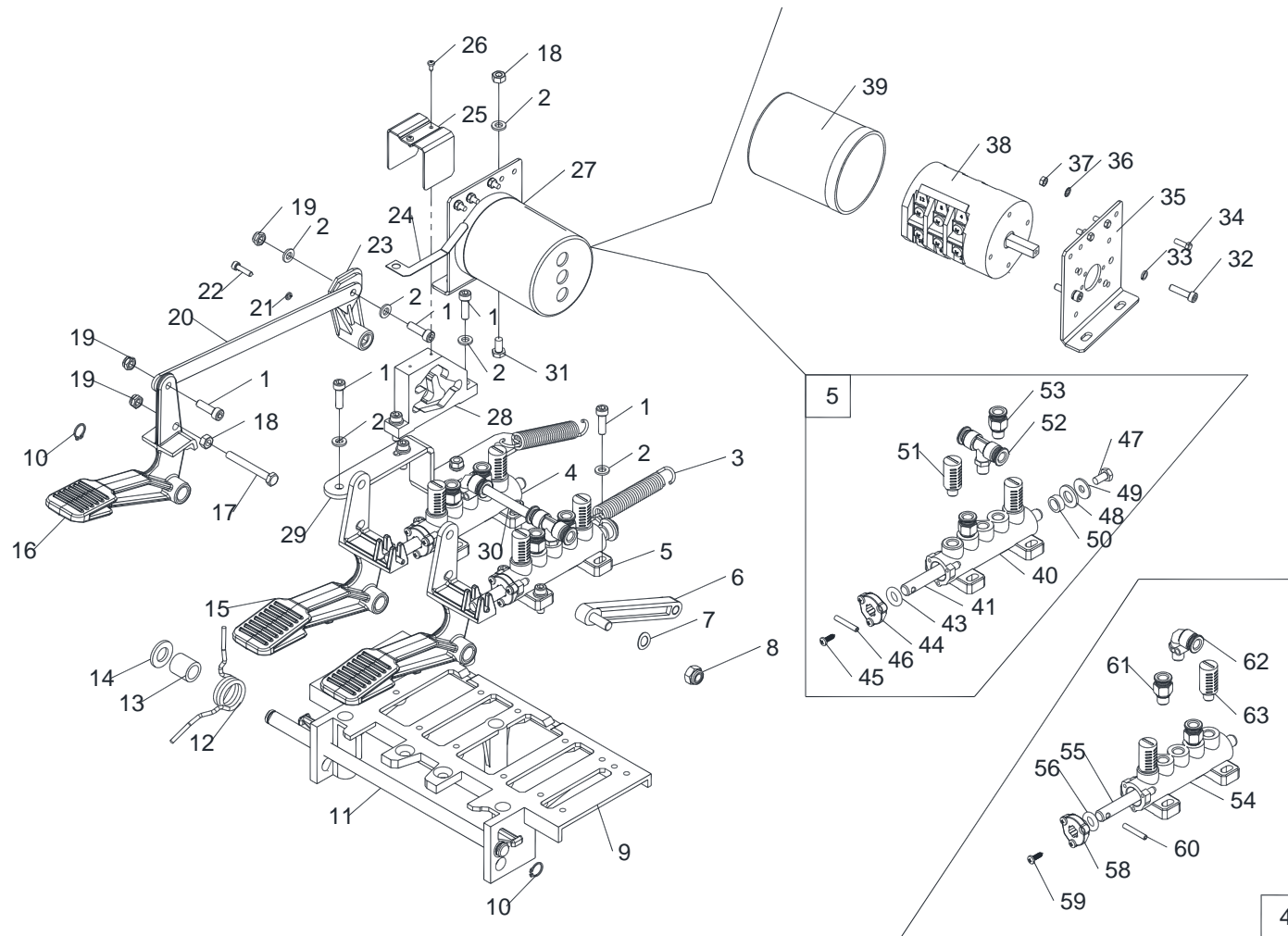


TAV.0.2	GENERAL BREAKDOWN	ED. 12/2024
---------	-------------------	-------------

1	27106214	Box assembly	1	C20A100000
2	27106014	Foot control assembly	1	YC1-2015861
3	02010026	Bolt GB/T5783/M8X16	3	M8X16-8.8
4	02050008	Gasket GB/T97.1 8	3	02050008
5	23130827	Screw M14X45	2	C21B100002
6	02040013	Nuts GB/T6172.1/M14	2	M14-5
7	02110046	gasket GB/T862.1/14	2	14
8	23100131	JFB flanged bushing	2	C21B100001
9	02040008	Nuts GB/T889.1/M16	1	M16-8
10	06900242	Lever	1	0511165
11	03060032	Union Φ 8 1/4	2	Φ 8 1/4
12	27306067	Bead breaker cylinder	1	C20A400000
13	21400003	Limit rubber sleeve	1	106B-3006001
14	23136007	Limit pad	1	106B-3006002
15	27106023	Bead breaker arm assembly	1	YC1-2006001
16	02040009	Nuts GB/T889.1/M18	1	M18-8
17	02010099	Bolt GB/T5782/M16X90	1	M16X90-8.8
18	27106007	Column assembly	1	YC1-2004000
19	21200021	Dust cover	1	YC1-3000062
20	02010100	Bolt GB/T5786/M16 x 1.5 x 40	1	M16X1.5X40
21	23136005	Gasket	1	YC1-3009778
22	23146003	Hook	1	YC1-3012978
23	02030035	Nuts GB/T6170/M6	1	M6-8
24	27106136	Turntable assembly	1	YC1-2015845
25	27106022	Inflator	1	YC1-2001000
26	02020030	Screw GB/T70.1/M6X10	3	M6X10-8.8
27	02050007	Gasket GB/T96/6	1	6

TAV.0.2	GENERAL BREAKDOWN	ED. 12/2024
---------	-------------------	-------------

28	27306042	Rotation union	1 YC1-2003000
29	27106216	Motor – Reduction gear group	1 C20A200000
30	21200048	Tool box	1 202W-3018260
31	02010055	Bolt GB/T5782/M10X55	6 M10X55-8.8
32	02080007	Gasket GB/T93/10	6 10
33	02050011	Gasket GB/T97.1 10	6 GB/T97.1-1985



TAV.1	Three-foot pedal control	ED. 12/2024
-------	--------------------------	-------------

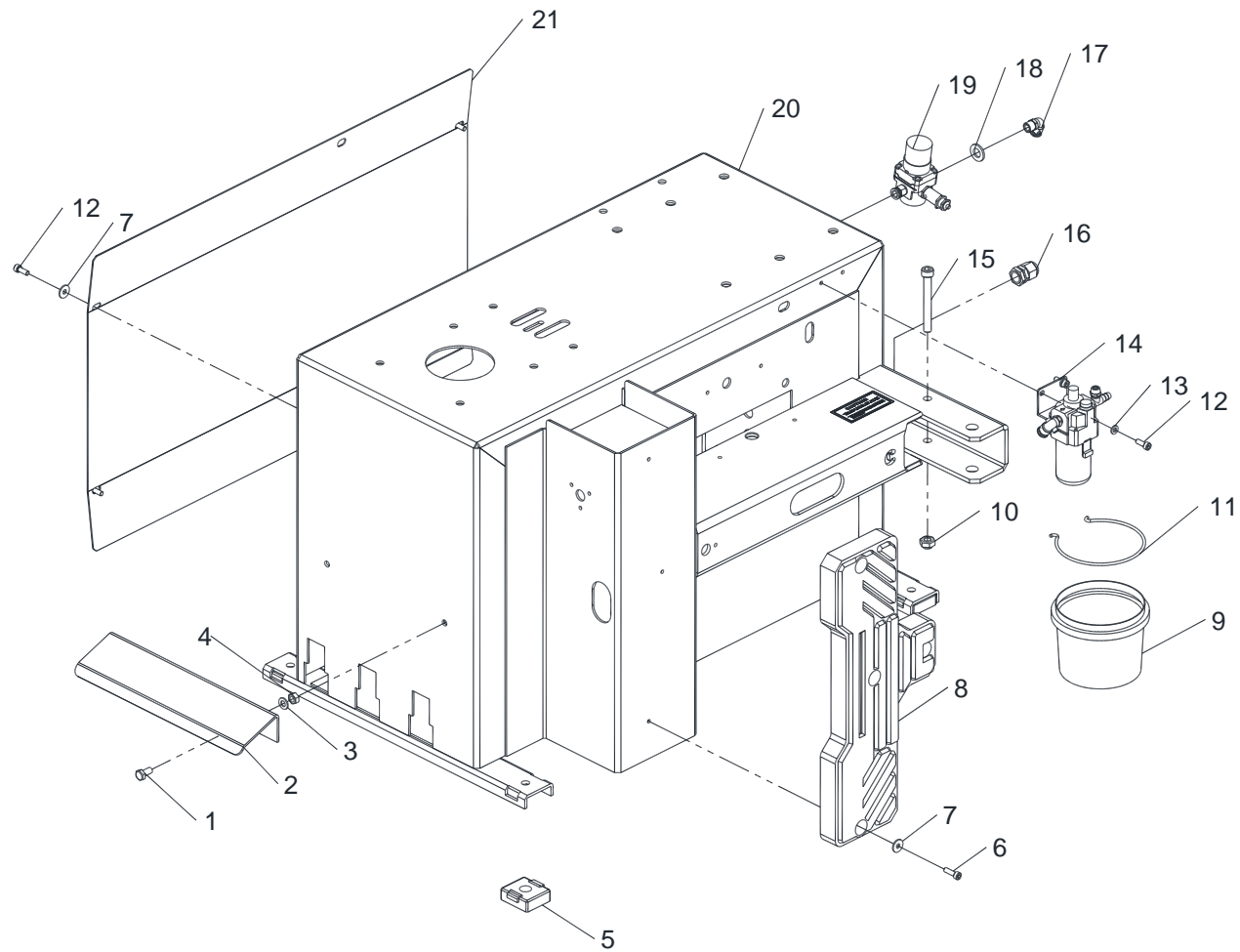
1	02020033	Screw GB/T70.1/M6X20	12	M6X20-8.8
2	02050006	Gasket GB/T97.1/6	14	6
3	22200002	Spring	2	YC1-3013333
4	27306006	Turntable valve unit	1	YC1-2002529
5	27306005	Bead breaker valve unit	1	YC1-2006297
6	21200018	Pull rod	1	YC1-4299912
7	02080014	Gasket GB/T860/8	1	8
8	02040004	Nuts GB/T889.1/M8	1	M8-8
9	23106010	valve bracket	1	YC1-3002161
10	02120001	Retaining ring GB/T894.1/12	2	12
11	23146012	Support shaft	1	YC1-3003094
12	22300001	Torsion spring	1	C00A000001
13	23146013	Bushing	1	YC1-3007953
14	02050013	Gasket GB/T97.1/12	1	12
15	23106009	pedal B	2	YC1-3002159
16	23106008	pedal A	1	YC1-3002157
17	02010016	Bolt GB/T5782/M6X50	1	M6X50-8.8
18	02030035	Nuts GB/T6170/M6	3	M6-8
19	02040003	Nuts GB/T889.1/M6	3	M6-8
20	23146014	Pull rod	1	YC1-3015341
21	02080002	Gasket GB/T93/4	1	4
22	02020011	Screw GB/T70.1/M4X16	1	M4X16-8.8
23	21200019	Switch lever	1	YC1-3000175
24	23126007	Spring	1	YC1-4299911
25	23146016	Connection rod guide	1	YC1-3099910
26	02070034	Screws GB/T845/ST3X8	2	ST3X8
27	27106011	Transfer switch assembly	1	YC1-2002002

TAV.1	Three-foot pedal control	ED. 12/2024
-------	--------------------------	-------------

28	21200017	Double cam	1	YC1-4299913
29	23146015	Support	1	YC1-3015342
30	03060097	PU hose $\Phi 8 \times \Phi 5$ - black	1	PU-8X5
31	02010011	Bolt GB/T5783/M6X12	2	M6X12-8.8
32	02020021	Screw GB/T70.1/M5X20	2	
33	02080003	Gasket GB/T93/5	2	5
34	02010004	Bolt GB/T5781/M4X12	3	M4X12-4.8
35	23146011	Switch seat plate	1	YC1-3015340
36	02110016	Gasket GB/T862.2/4	3	4
37	02030002	Nuts GB52/M4	3	M4-5
38	05050009	Transfer switch LW5-3-40A	1	LW5-3-40A
39	21400017	Switch rubber sleeve	1	YC1-3015344
40	21200014	Valve body	1	YC1-3001583
41	23306002	Valve core 3	1	YC1-3007598
42	21200015	Spacer sleeve	5	YC1-3001584
43	06060367	O-ring 9.7X4	6	
44	21200016	Valve cover	1	YC1-3001585
45	02070032	Screw GB/T845/ST3.5X13	3	ST3.5X13
46	02130003	Pin GB/T879.1/4X25	1	4X25
47	02010011	Bolt GB/T5783/M6X12	1	M6X12-8.8
48	02050011	Gasket GB/T97.1/10	1	10
49	02050007	Gasket GB/T96/6	1	6
50	21900001	Buffer sleeve	1	YC1-4197629
51	03060059	Muffler PSL-01	2	G1/8
52	03060023	Union $\Phi 8$ 1/8	1	$\Phi 8$ 1/8
53	03060045	Union $\Phi 8$ 1/8	2	$\Phi 8$ 1/8
54	21200014	Valve body	1	YC1-3001583

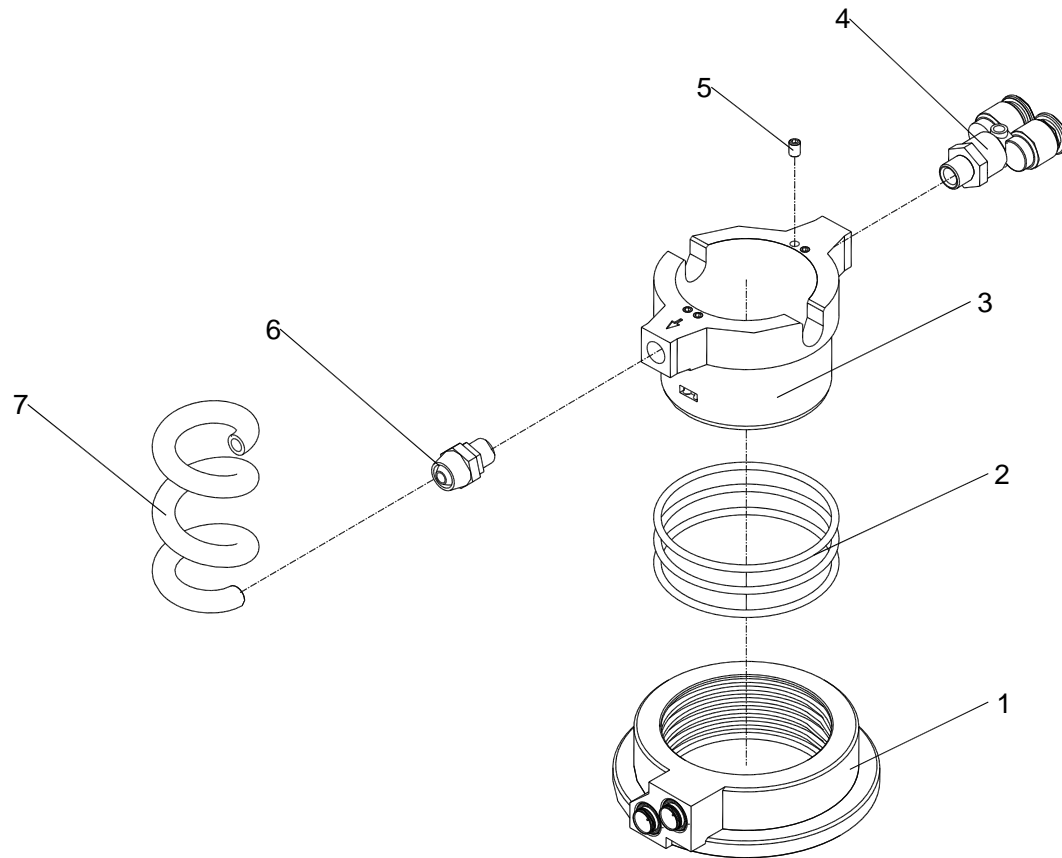
TAV.1	Three-foot pedal control	ED. 12/2024
-------	--------------------------	-------------

55	23306003	Valve Core 1	1	YC1-3002442
56	06060367	O-ring 9.7X4	6	
57	21200015	Spacer sleeve	5	YC1-3001584
58	21200016	Valve cover	1	YC1-3001585
59	02070032	Screw GB/T845/ST3.5X13	3	ST3.5X13
60	02130003	pin GB/T879.1/4X25	1	4X25
61	03060045	union Φ 8 1/8	2	Φ 8 1/8
62	03060033	union Φ 8 1/8	1	Φ 8 1/8
63	03060059	Muffler (plastic) PSL-01	2	G1/8



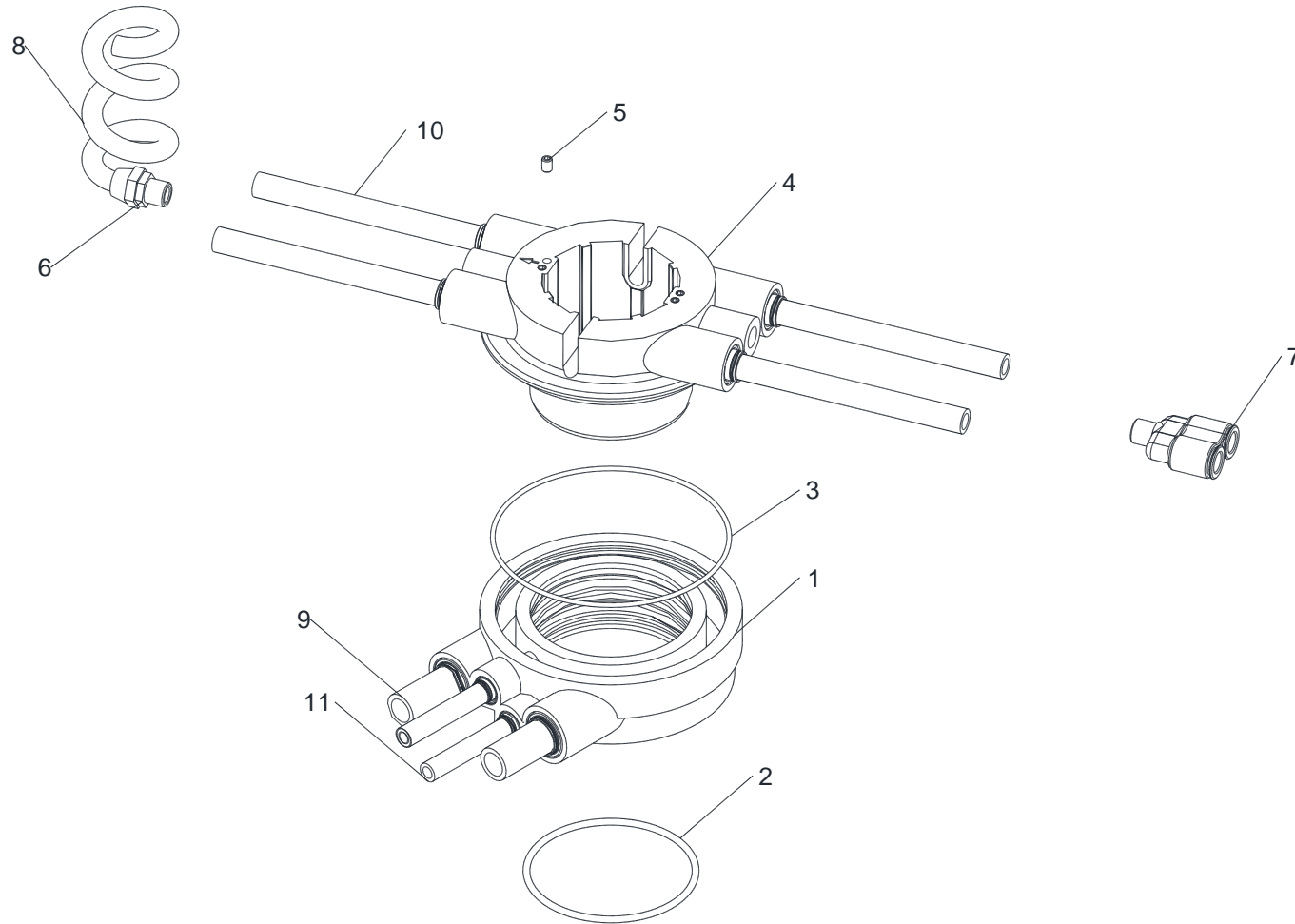
TAV.2	BOX ASSEMBLY	ED. 12/2024
-------	--------------	-------------

1	02010026	Bolt GB/T5783/M8X16	2	M8X16-8.8
2	23156011	Front cover plate	1	C20A100002
3	02050008	Gasket GB/T97.1 8	2	02050008
4	02030029	Nuts GB/T6170/M8	2	M8-8
5	21400002	Floor MATS	4	YC1-3002099
6	02020033	Screw GB/T70.1/M6X20	4	M6X20-8.8
7	02050007	Gasket GB/T96/6	8	6
8	21400001	Rubber pad	1	YC1-3002102
9	21200022	Bucket	1	YC1-4299984
10	02040005	Nuts GB/T889.1/M10	1	M10-8
11	22900001	Bucket ring	1	YC1-3000069
12	02020032	Screw GB/T70.1/M6X16	6	M6X16-8.8
13	02050006	Gasket GB/T97.1/6	2	6
14	27306102	Lubricator unit	1	C00AQ55000
15	02020067	Screw GB/T70.1/M10X85	1	M10X85-8.8
16	05080252	Cable relief M18	1	M18
17	03060383	Union Φ 8 ZG1/4	1	Φ 8 ZG1/4
18	02050013	Gasket GB/T97.1/12	1	12
19	27306009	Safety valve unit 3,5 bar	1	C00AQ58000
20	26156039	Box welding	1	C20A100100
21	23156088	Side box panel	1	C20A100001



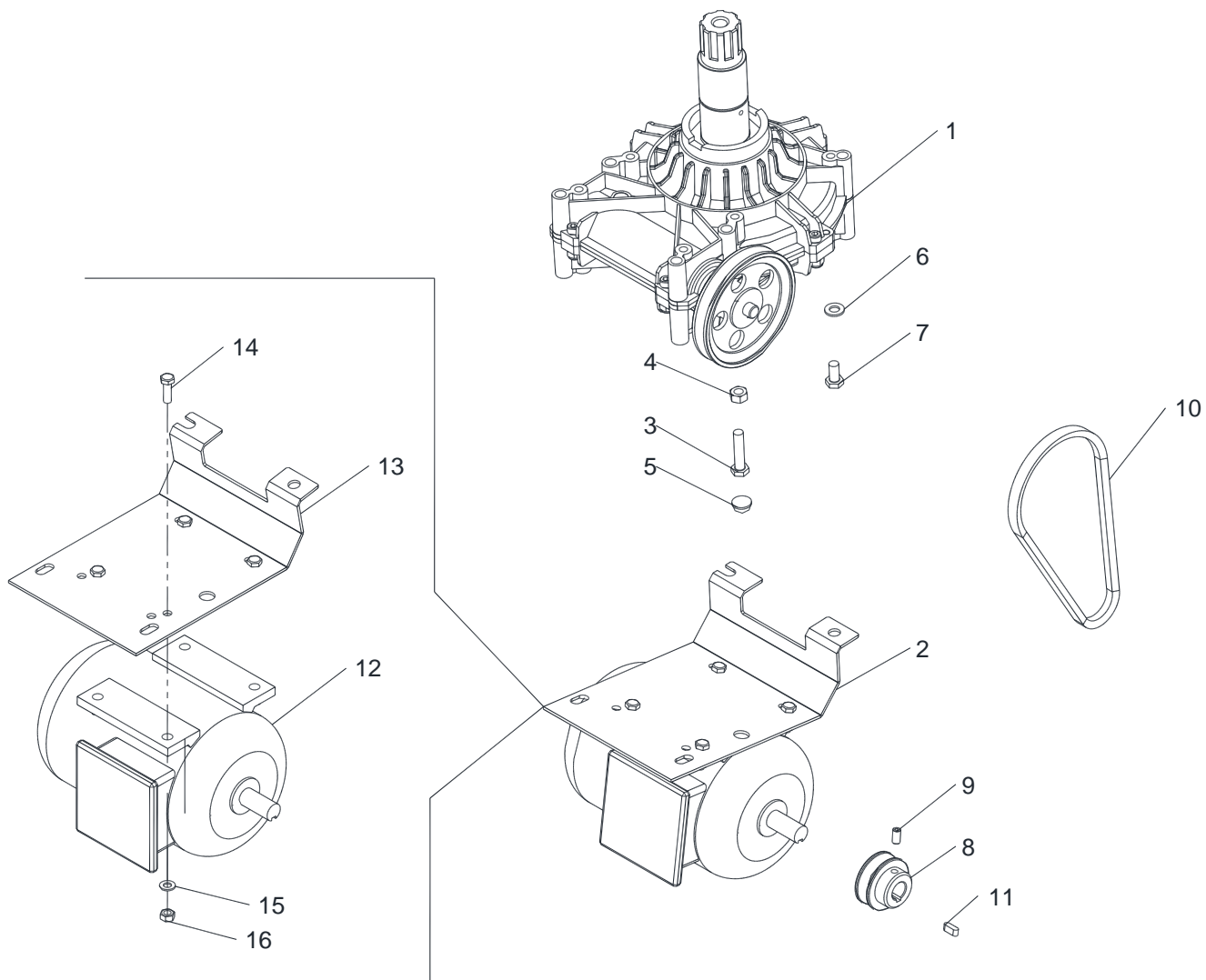
TAV.3	ROTATION UNION	ED. 12/2024
-------	----------------	-------------

1	27306002	Outer element of rotation union	1	YC1-2003001
2	03090066	O-ring 60X2.65	3	60X2.65
3	21200024	Inner element of rotation union	1	YC1-4298956-2
4	03060003	Tee Φ 8 1/8	1	Φ 8 1/8
5	02090043	Screw GB/T77/M4X6	4	M4X6
6	03060069	Union Φ 8 1/8	1	Φ 8 1/8
7	03060103	PU hose Φ 8X Φ 5	1	PU-8X5



TAV.3.1	Rotation union GT	ED. 12/2024
---------	-------------------	-------------

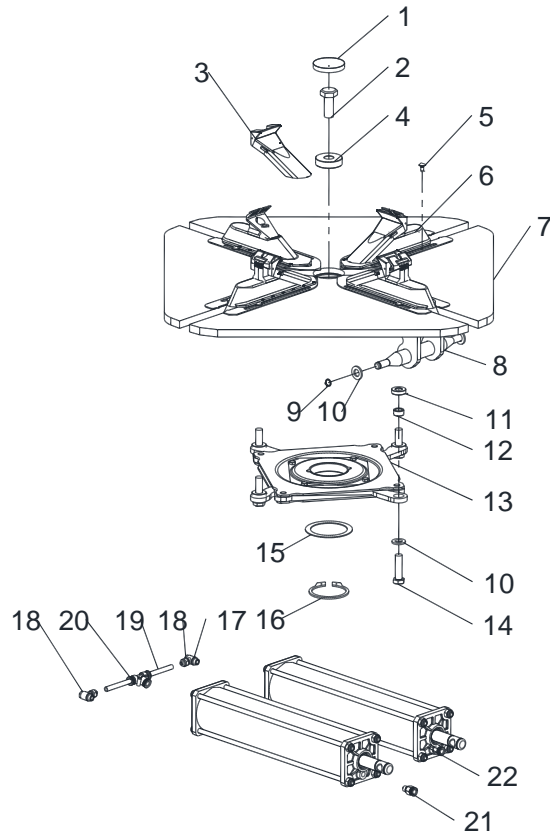
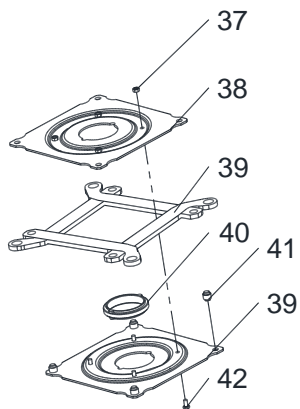
1	27306019	Outer Element of Rotating Union	1	YC2-4298992A
2	03090065	O-ring GB3452.63x2.65	3	63X2.65
3	03090067	O-ring GBGB3452.1 90X1.8	1	90X1.8
4	27306020	Inner Element of Rotating Union	1	YC2-4298992B
5	02090043	Screw GB/T77/M4X6	4	M4X6
6	03060069	Union Φ 8-1/8	1	
7	03060001	Union Φ 8 1/8	1	Φ 8 1/8
8	03061003	Spiral tube ϕ 8X5 (black)	1	
9	03060018	PU hose Φ 14X Φ 10- red	2	PU-14X10
10	03060094	PU hose Φ 10X Φ 6.5- black	4	PU-10X6.5
11	03060097	PU hose Φ 8X Φ 5- black	2	PU-8X5



TAV.4	Motor – Reduction gear group	ED. 12/2024
-------	------------------------------	-------------

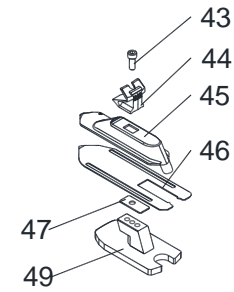
1	27106217	Worm gear box assembly	1	C20A200100
2	27106218	Motor assembly	1	C20A200200
3	02010051	Bolt GB/T5782/M10X45	1	M10X45-8.8
4	02030032	Nuts GB/T6170/M10	1	M10-8
5	21200002	Spherical pad	1	YC1-3000164
6	02050011	Gasket GB/T97.1 10	2	GB/T97.1-1985
7	02010062	Bolt GB/T5783/M10X20	2	M10X20-8.8
8	23106055	New small pulley	1	C20A200001
9	02090009	Screw GB/T80/M8X16	1	M8X16
10	06060052	V-belt A580	1	A580
11	02130028	Flat key GB/T1096/6X18	1	6X18
12	05090054	Motor	1	MS80A4/B3 220/380V 50HZ
13	23146055	Motor base plate	1	C20A200201
14	02010038	Bolt GB/T5783/M8X25	4	M8X25-8.8
15	02050008	Gasket GB/T97.1 8	4	02050008
16	02030029	Nuts GB/T6170/M8	4	M8-8

13

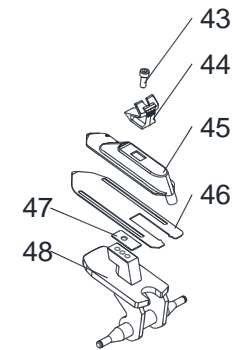


17

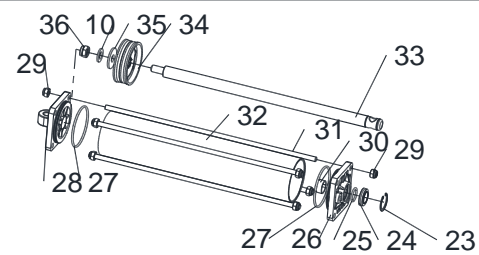
6



8



22

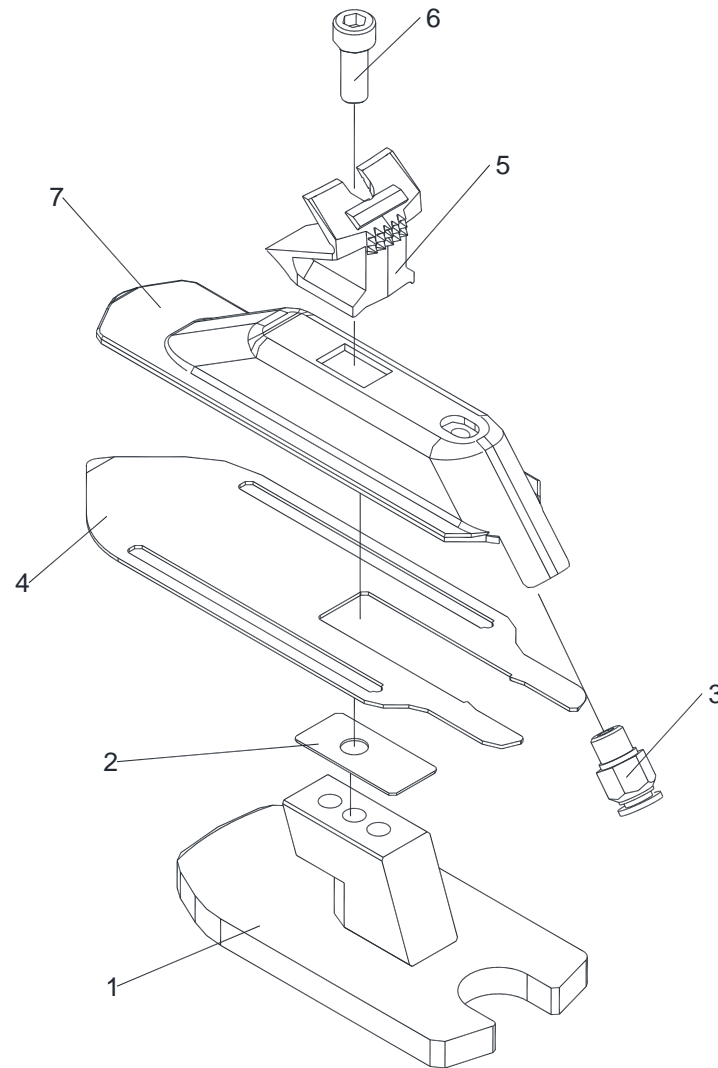


TAV.5	SELF-CENTERING TURNTABLE	ED. 12/2024
-------	--------------------------	-------------

1	21200021	Dust cover	1	YC1-3000062
2	02010100	Bolt GB/T5786/M16 x 1.5 x 40	1	M16X1.5X40
3	21200027	Clamp cover	4	YC1-3001468
4	23136005	Gasket	1	YC1-3009778
5	23136006	Non-standard rivet $\phi 5.05 \times 15.5$	8	$\phi 5.05 \times 15.5$
6	27106018	Slide guide assembly	2	YC1-2015755
7	26136007	Turntable welding	1	202W-2460100
8	27106017	Clamp assembly	2	YC1-2015756
9	02120001	Retaining ring GB/T894.1/12	4	12
10	02050013	Gasket GB/T97.1/12	9	12
11	23146022	Cushion cover	4	YC1-3006879
12	23146023	Connection rod spacer	4	YC1-3006880
13	27106152	Turntable flange	1	104-2007001
14	02010072	Bolt GB/T5786/M12X1.25X45	4	M12X1.25X45
15	23146018	Connection rod spacer	1	YC1-3006869-A
16	02120011	Retaining ring GB/T894.1/65	1	65
17		Nylon gasket	2	
18	03060016	Union $\Phi 8 \frac{1}{8}$	2	$\Phi 8 \frac{1}{8}$
19	03060097	PU hose $\Phi 8 \times \Phi 5$ - black	2	PU-8X5
20	03060022	Union $\Phi 8$	1	$\Phi 8$
21	03060045	Union $\Phi 8 \frac{1}{8}$	2	$\Phi 8 \frac{1}{8}$
22	27306007	turntable cylinder	2	C00FQ10100
23	02110004	Retaining ring GB/T893.1/30	1	30
24	21400013	Y-shaped sealing ring 20X30X7	1	20X30X7
25	21400012	O-ring GB3452.120 X2.75	1	20 X2.75
26	23300025	Cylinder head	1	C00FQ10102
27	03090039	O-ring GB1235 75X3.1	2	75X3.1

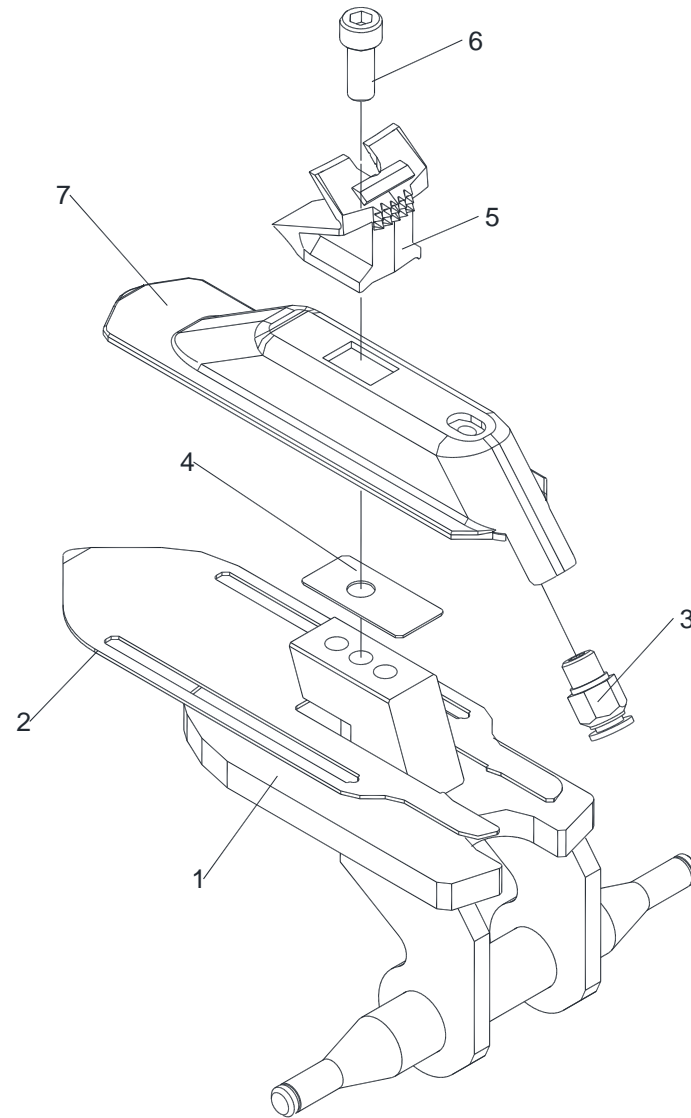
TAV.5	SELF-CENTERING TURNTABLE	ED. 12/2024
-------	--------------------------	-------------

28	23300026	Cylinder bottom	1	C00FQ10103
29	02040004	Nuts GB/T889.1/M8	8	M8-8
30	02100129	Bushing SF-1/2010	1	20*23*10
31	23330043	Bolt	4	C00FQ10104
32	23360021	Cylinder barrel	1	C00FQ10101
33	23330042	Piston rod	1	C00FQ10105
34	21400019	Piston	1	YC1-4198856
35	02050014	Gasket GB/T96/12	1	12
36	02040007	Nuts GB/T889.1/M12	1	M12-8
37	02030035	Nuts GB/T6170/M6	4	M6-8
38	23146019	Second turntable	2	YC1-3006869
39	23146044	Connection plate	4	104-3011876-A
40	21200020	Shaft sleeve	1	YC1-3007420
41	23146021	Connecting shaft	4	YC1-3006878
42	02010011	Bolt GB/T5783/M6X12	4	M6X12-8.8
43	02020055	Screw GB/T70.1/M10X1.25X25	2	M10X1.25X25-12.9
44	23116003	Clamp	2	YC1-3002297
45	23136004	Slide	2	YC1-3006255
46	23146045	Anti-friction plate	2	104-3015171-B
47	23146027	Adjustment plate	2	104-3015858
48	26146002	Hanger welding	1	YC1-2415756
49	26146001	rail frame	1	YC1-2412860



TAV.5.1	GT Slide guide	ED. 12/2024
---------	----------------	-------------

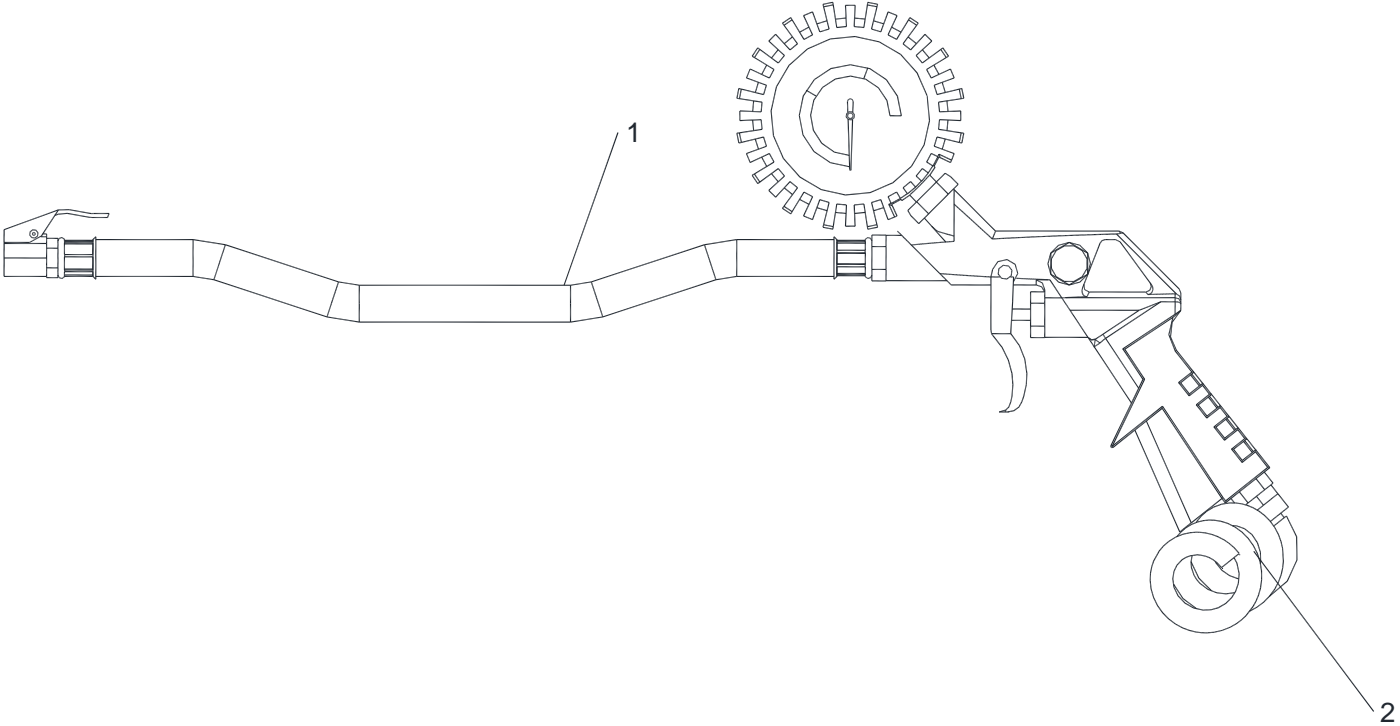
1	26146001	guide rail frame	1	YC1-2412860
2	23106011	Adjustment plate	1	YC1-3015858
3	03060042	Union $\Phi 10 \frac{1}{4}$	1	$\Phi 10 \frac{1}{4}$
4	23146024	Turntable plate	1	YC1-3015169
5	23116003	Clamp	1	YC1-3002297
6	02020055	Screw GB/T70.1/M10X1.25X25	1	M10X1.25X25-12.9
7	26136009	GT slide	1	YC2-2407387



TAV.5.2	GT Clamp assembly	ED. 12/2024
---------	-------------------	-------------

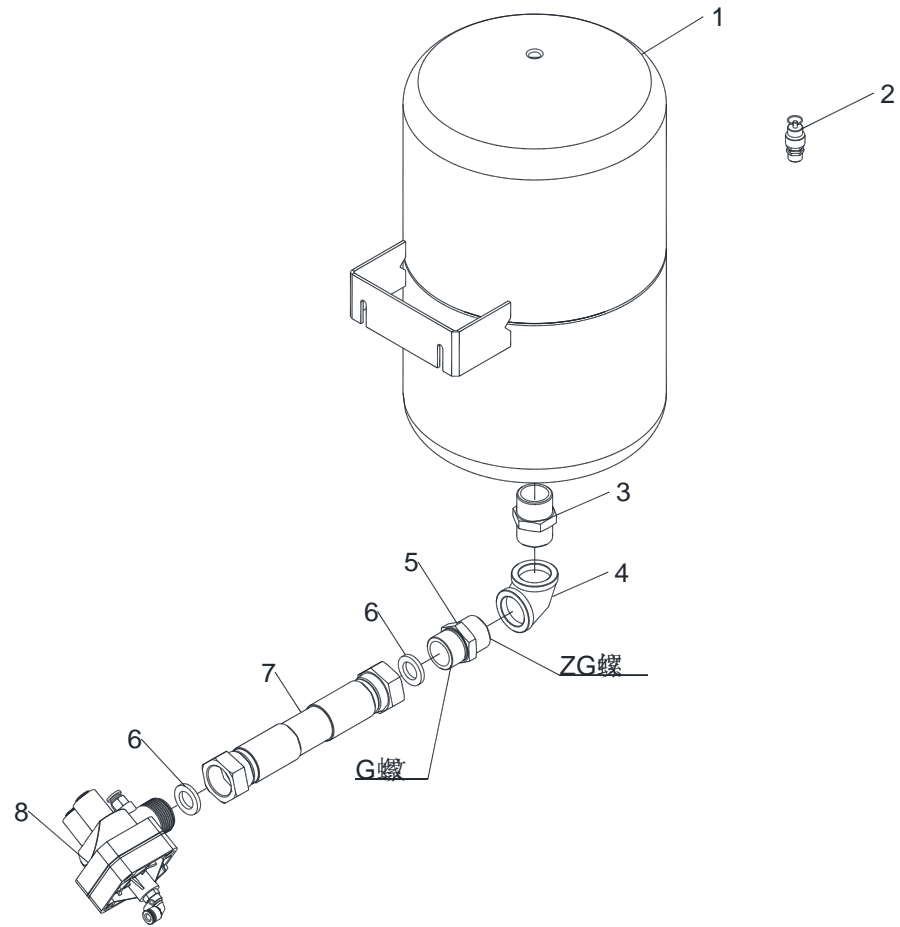
1	26146002	guide rail frame	1 YC1-2415756
2	23106011	Adjustment plate	1 YC1-3015858
3	03060042	Union Φ 10 1/4	1 Φ 10 1/4
4	23146024	Turntable plate	1 YC1-3015169
5	23116003	Clamp	1 YC1-3002297
6	02020055	Screw GB/T70.1/M10X1.25X25	1 M10X1.25X25-12.9
7	26136009	GT slide	1 YC2-2407387

TAV.6	Tire inflation unit	ED. 12/2024
-------	---------------------	-------------



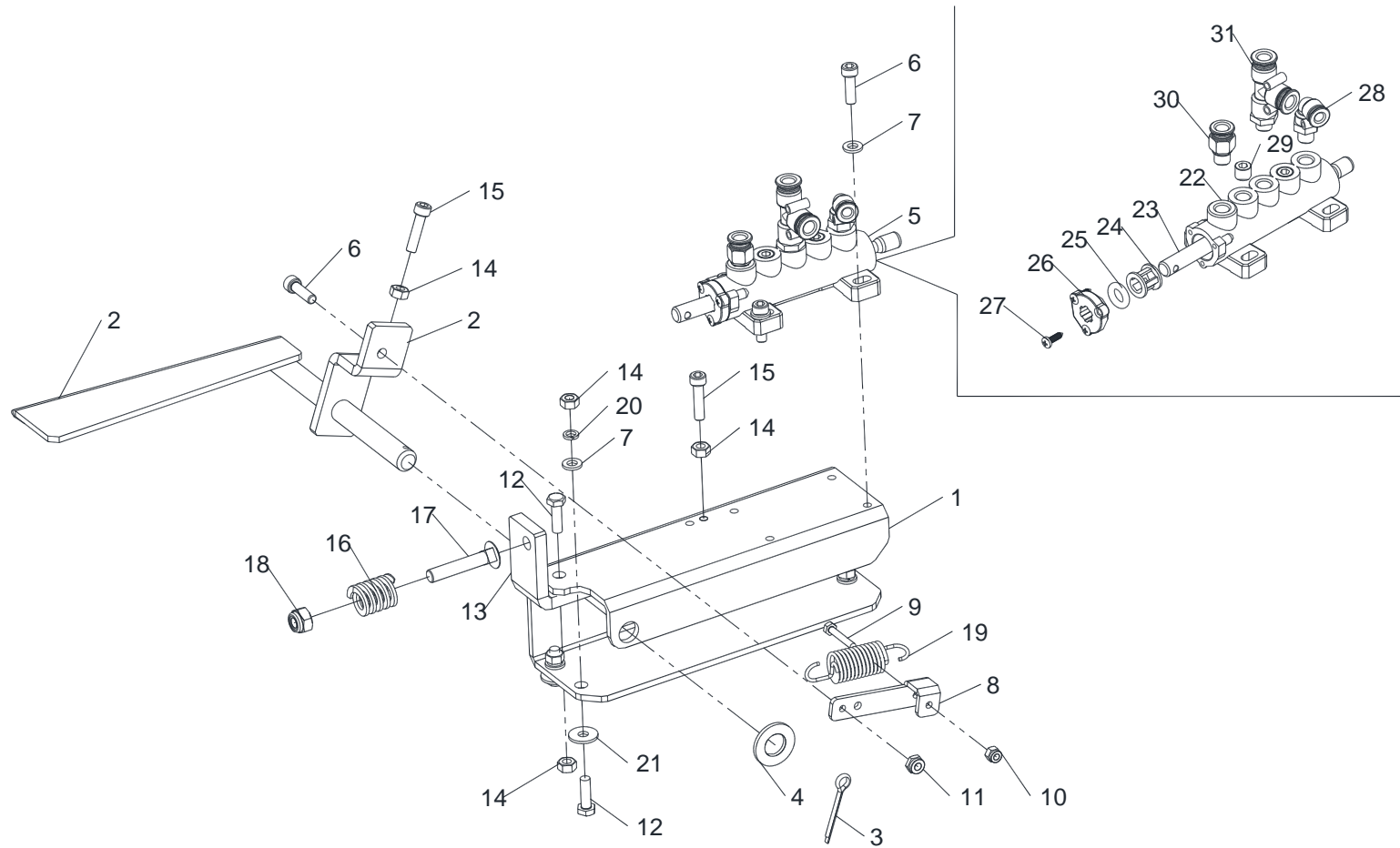
TAV.6	Tire inflation unit	ED. 12/2024
-------	---------------------	-------------

1	03060279	Inflatable gun Z5	1
2	03060157	PU spiral tube $\Phi 8 \times \Phi 5$	1 PU-8X5



TAV.6.1	GT Air tank	ED. 12/2024
---------	-------------	-------------

1	26356001	Air tank	1	YC2-2402899
2	03060004	Safety valve G1/4-1.0MPa	1	G1/4
3	06900133	Union 1" X50	1	1 X50
4	06900076	Elbow 1"	1	1
5	03060343	Union 1" X50	1	1 X50
6	21400024	Rubber pad	2	C04A301013
7	03060340	Rubber hose	1	G1X220
8	27306025	Pneumatic valve 1 "	1	YC2-4198531

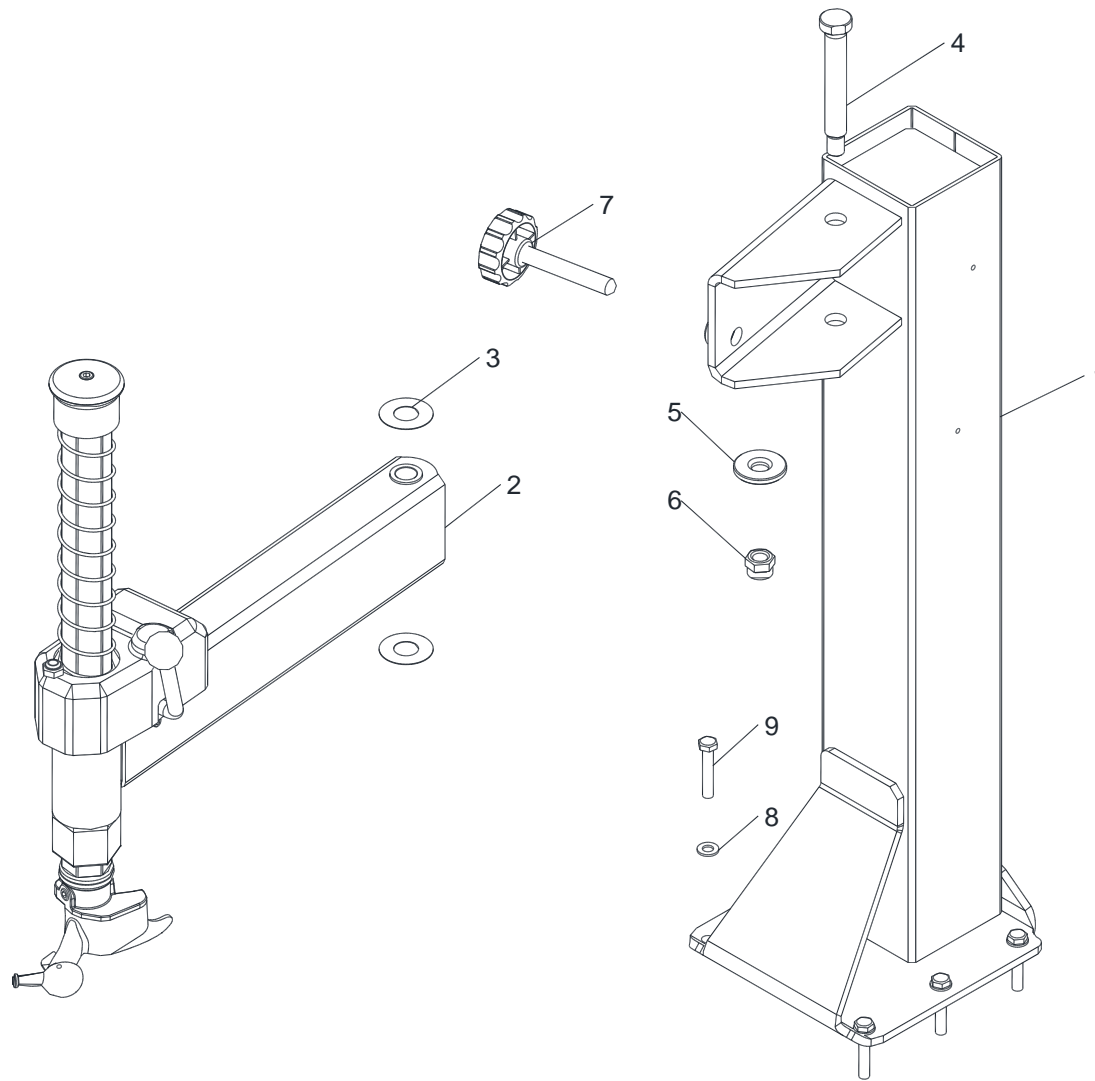


TAV.6.2	GT VALVE CONTROL	ED. 12/2024
---------	------------------	-------------

1	23146029	Valve seat	1	YC2-3010287
2	26146003	foot pedals	1	YC2-2410288
3	02130020	pin GB/T91/3X30	1	3X30
4	02050017	Gasket GB/T97.1/14	1	14
5	27306024	GT air valve assembly	1	YC2-2009718
6	02020033	Screw GB/T70.1/M6X20	5	M6X20-8.8
7	02050006	Gasket GB/T97.1/6	7	6
8	23146030	Pull rod	1	YC2-3001853
9	02010002	Bolt GB/T5780/M4X25	1	M4X25-4.8
10	02040002	Nuts GB/T889.1/M5	1	M5-8
11	02040003	Nuts GB/T889.1/M6	1	M6-8
12	02010014	Bolt GB/T5783/M6X20	4	M6X20-8.8
13	23146031	Curved plate	1	YC2-3008005
14	02030035	Nuts GB/T6170/M6	6	M6-8
15	02020034	Screw GB/T70.1/M6X25	2	M6X25-8.8
16	22400001	Rectangular spring	1	YC2-4298942
17	02010170	bolt GB-T794 /M8x45	1	M8×45-8.8
18	02040004	Nuts GB/T889.1/M8	1	M8-8
19	22200003	spring	1	YC2-3000141
20	02080005	Gasket GB/T93/6	3	6
21	02050007	Gasket GB/T96/6	3	6
22	21200014	Valve body	1	YC1-3001583
23	23306015	Valve core 4	1	YC2-3001849
24	21200015	Spacer sleeve	5	YC1-3001584
25	06060367	O-ring 9.7X4	6	
26	21200016	Valve cover	1	YC1-3001585
27	02070032	Screw GB/T845/ST3.5X13	3	ST3.5X13

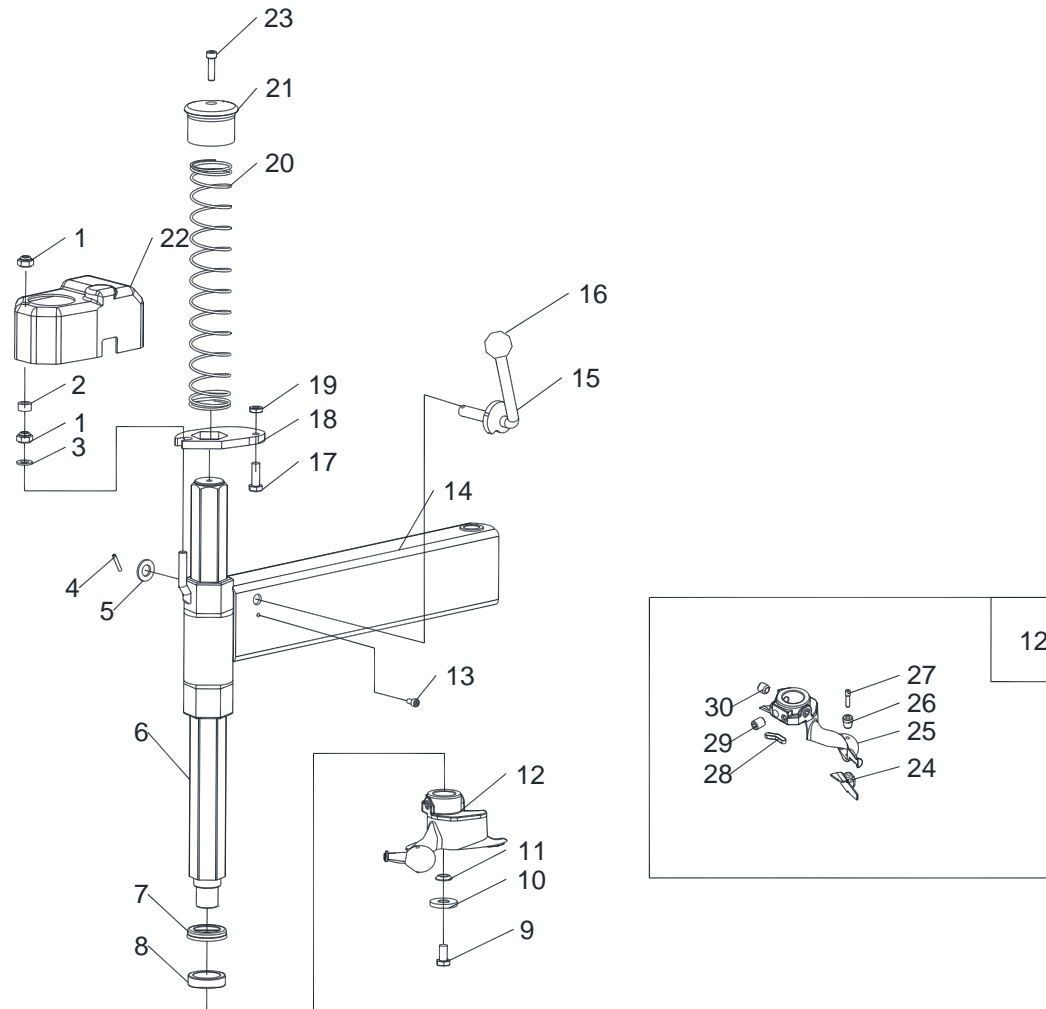
TAV.6.2	GT VALVE CONTROL	ED. 12/2024
---------	------------------	-------------

28	03060040	Union Φ 6 1/8	1 Φ 6 1/8
29	03050014	Plug 1/8	2 1/8
30	03060045	Union 8 1/8	1 Φ 8 1/8
31	03060021	Union 8 1/8	1 Φ 8 1/8



TAV.7	COLUMN ASSEMBLY	ED. 12/2024
-------	-----------------	-------------

1	26156002	Column welding	1	YC1-2412123
2	27106004	Horizontal arm	1	YC1-2004001
3	23146008	Adjustment pad	2	YC1-4397898
4	23146004	axis	1	YC1-3015565
5	23146001	Gasket	1	YC1-3007352
6	02040008	Nuts GB/T889.1/M16	1	M16-8
7	27106005	Knob assembly	1	YC1-2004002
8	02050011	Gasket GB/T97.1/10	6	10
9	02010055	Bolt GB/T5782/M10X55	6	M10X55-8.8

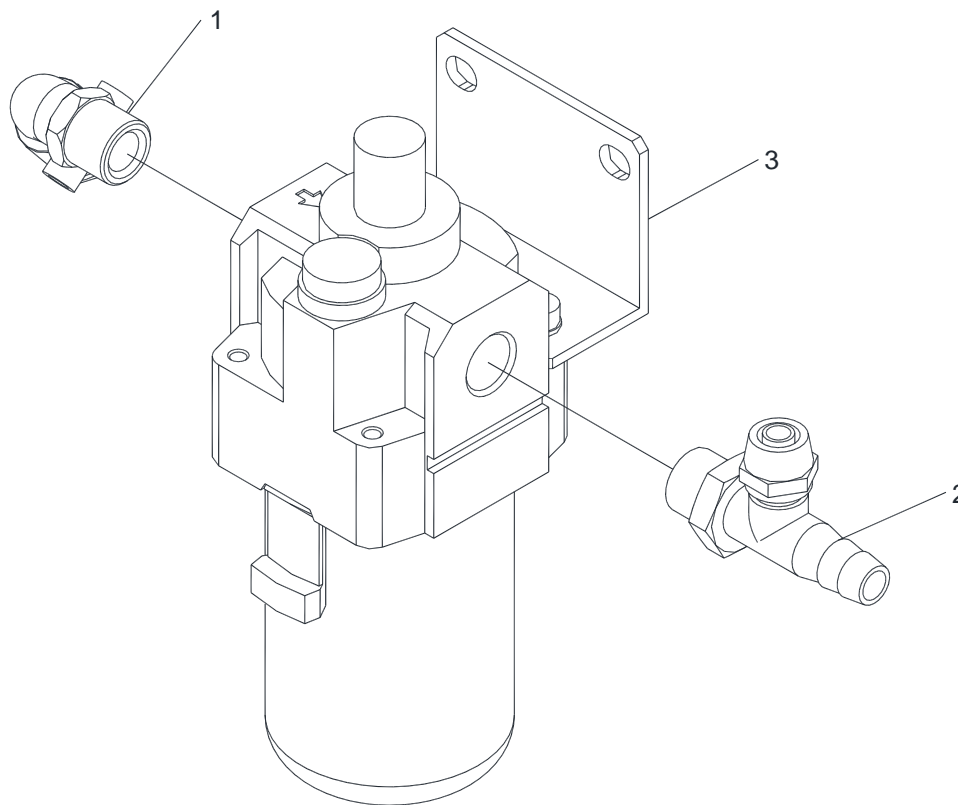


TAV.7.1	HORIZTONTAL ARM	ED. 12/2024
---------	-----------------	-------------

1	02040005	Nuts GB/T889.1/M10	2	M10-8
2	21400009	Rubber sleeve	1	YC1-3012632
3	02050011	Gasket GB/T97.1/10	1	10
4	02130003	Pin GB/T879.1/4X25	1	4X25
5	02050017	Gasket GB/T97.1/14	1	14
6	23126015	Hexagonal arm	1	YC1-3015586
7	23136001	Cushion cover	1	YC1-3002602
8	21400010	Rubber sleeve pad	1	YC1-3002601
9	02010062	Bolt GB/T5783/M10X20	1	M10X20-8.8
10	23126005	Conical gasket	1	YC1-4295804
11	23126004	Spherical gasket	1	YC1-4295805
12	27106003	Mounting tool unit	1	YC1-2002215
13	02020030	Screw GB/T70.1/M6X10	1	M6X10-8.8
14	26156003	Swing arm welding	1	YC1-2415589A
15	26136001	locking handle	1	YC1-2407085
16	21200003	Handle ball	1	YC1-4299952
17	02010028	Bolt GB/T5781/M10X30	1	M10X30-4.8
18	23146005	Locking plate	1	YC1-3015567
19	02040012	Nuts GB/T6172.1/M10	1	M10-5
20	22100001	Spring	1	YC1-3005407
21	21200004	Spring cover	1	YC1-3001759
22	21200007	cover	1	YC1-3012631
23	02020049	Screw GB/T70.1/M8X30	1	M8X30-8.8
24	21200005	Plastic insert	1	YC1-3006689
25	23116001	Work head	1	YC1-3007801
26	23126001	Roller	1	YC1-3000215
27	23146002	Screw shaft	1	YC1-3009018

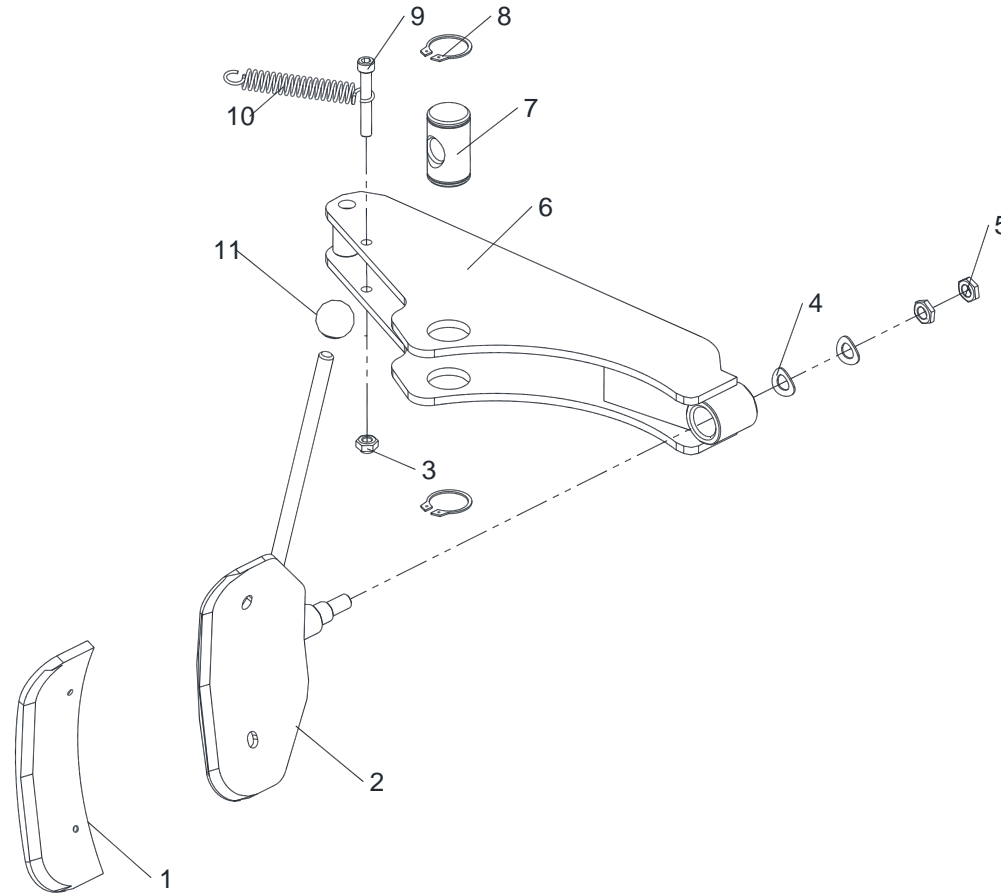
TAV.7.1	HORIZTONTAL ARM	ED. 12/2024
---------	-----------------	-------------

28	21200006	Plastic insert	1 YC1-3013650
29	02090015	Screw GB/T80/M12X16	2 M12X16
30	02090020	Screw GB/T80/M12X12	2 M12X12



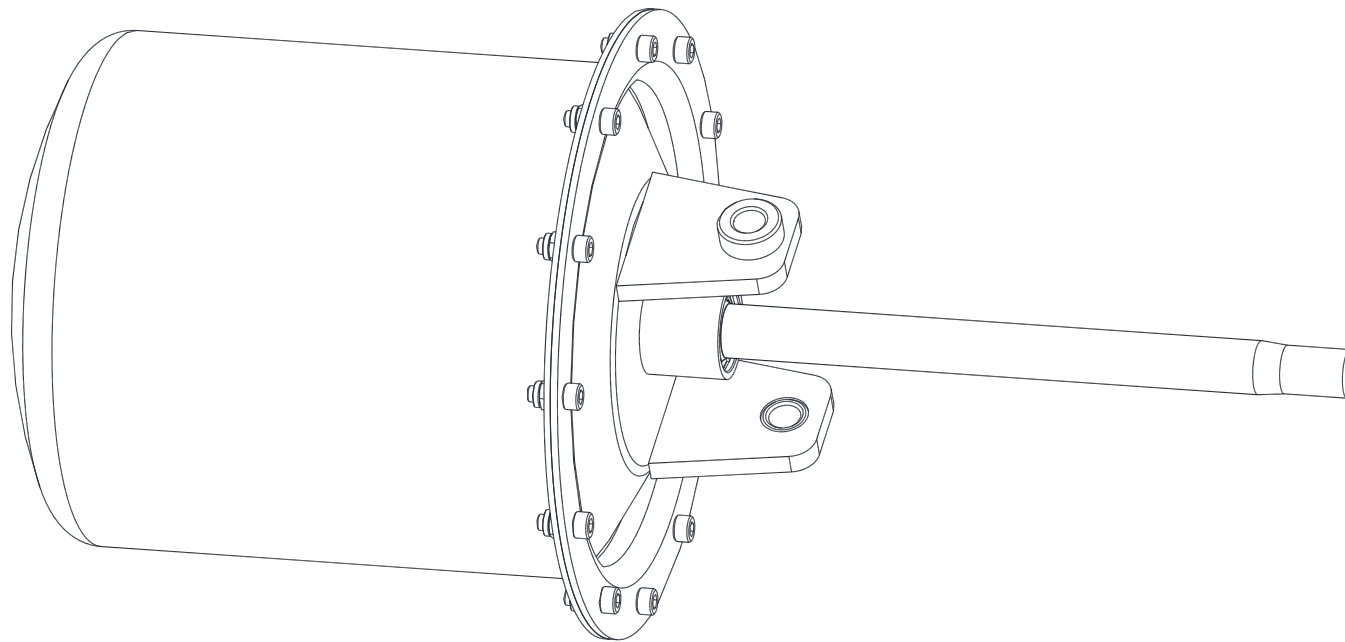
TAV.8	Lubricator unit	ED. 12/2024
-------	-----------------	-------------

1	03060032	Union Φ 8 1/4	1 Φ 8 1/4
2	03060007	Union Φ 8 1/4	1 Φ 8 1/4
3	03060328	Lubricator	1 G1/4



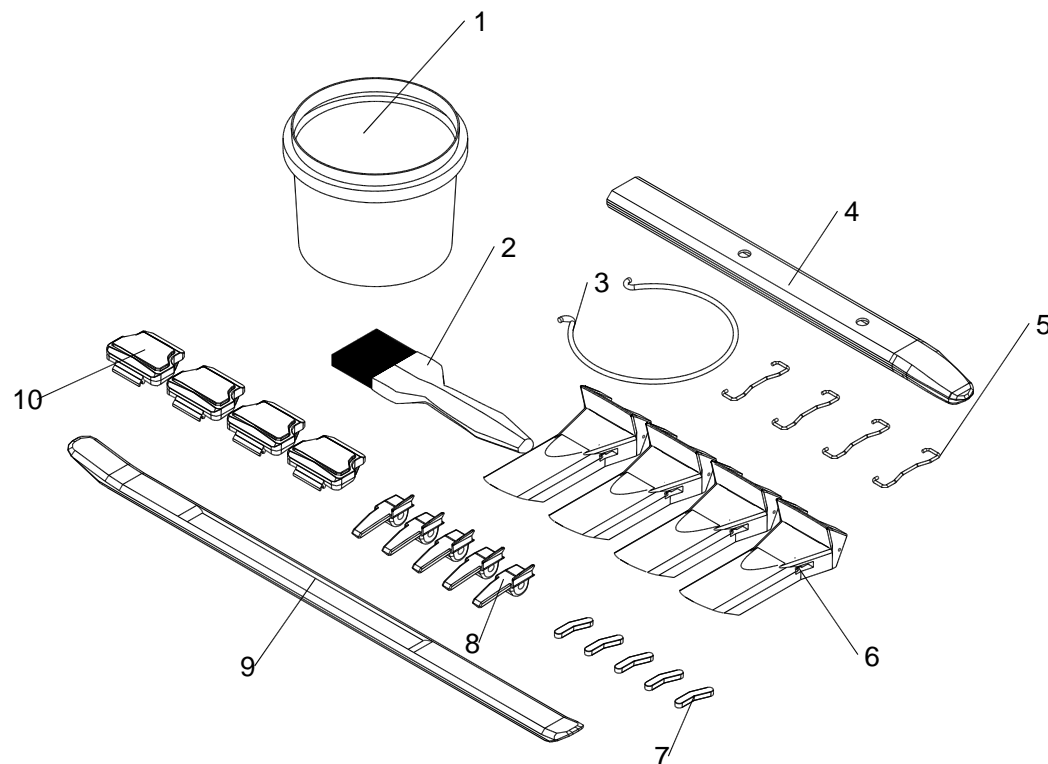
TAV.9	Tire stripping unit	ED. 12/2024
-------	---------------------	-------------

1	21200013	Protective cover	1	YC1-3013240
2	26136002	Bead breaker plate	1	YC1-2412271
3	02040005	Nuts GB/T889.1/M10	1	M10-8
4	02080013	Gasket GB/T955/14	2	14
5	02040013	Nuts GB/T6172.1/M14	2	M14-5
6	26156004	Bead breaker arm	1	YC1-2415574
7	23146017	Rotating shaft	1	YC1-3008990
8	02120008	Retaining ring GB/T894.1/40	2	40
9	02020057	Screw GB/T70.1/M10X70	1	M10X70-8.8
10	22200001	Spring	1	YC1-3000114A
11	21200003	Handle ball	1	YC1-4299952



TAV.9.1	BEAD BREAKER CYLINDER	ED. 12/2024
---------	-----------------------	-------------

1 27306067 Bead breaker cylinder 1 C20A400000 12



TAV.10	ACCSERIOES	ED. 12/2024
--------	------------	-------------

1	21200022	Bucket	1	YC1-4299984	
2	05110063	Brush	1		
3	22900001	Bucket ring	1	YC1-3000069	
4	21200026	protective cover	1	C00A000017	optional
5	22900011	Hook	4	YC1-3001469	optional
6	21200027	Clamp cover	4	YC1-3001468	
7	21200006	Plastic insert	5	YC1-3013650	
8	21200005	Plastic insert	5	YC1-3006689	
9	06900242	Lever	1	225101	
10	27105202	Protective cover	4	C00A100000	optional