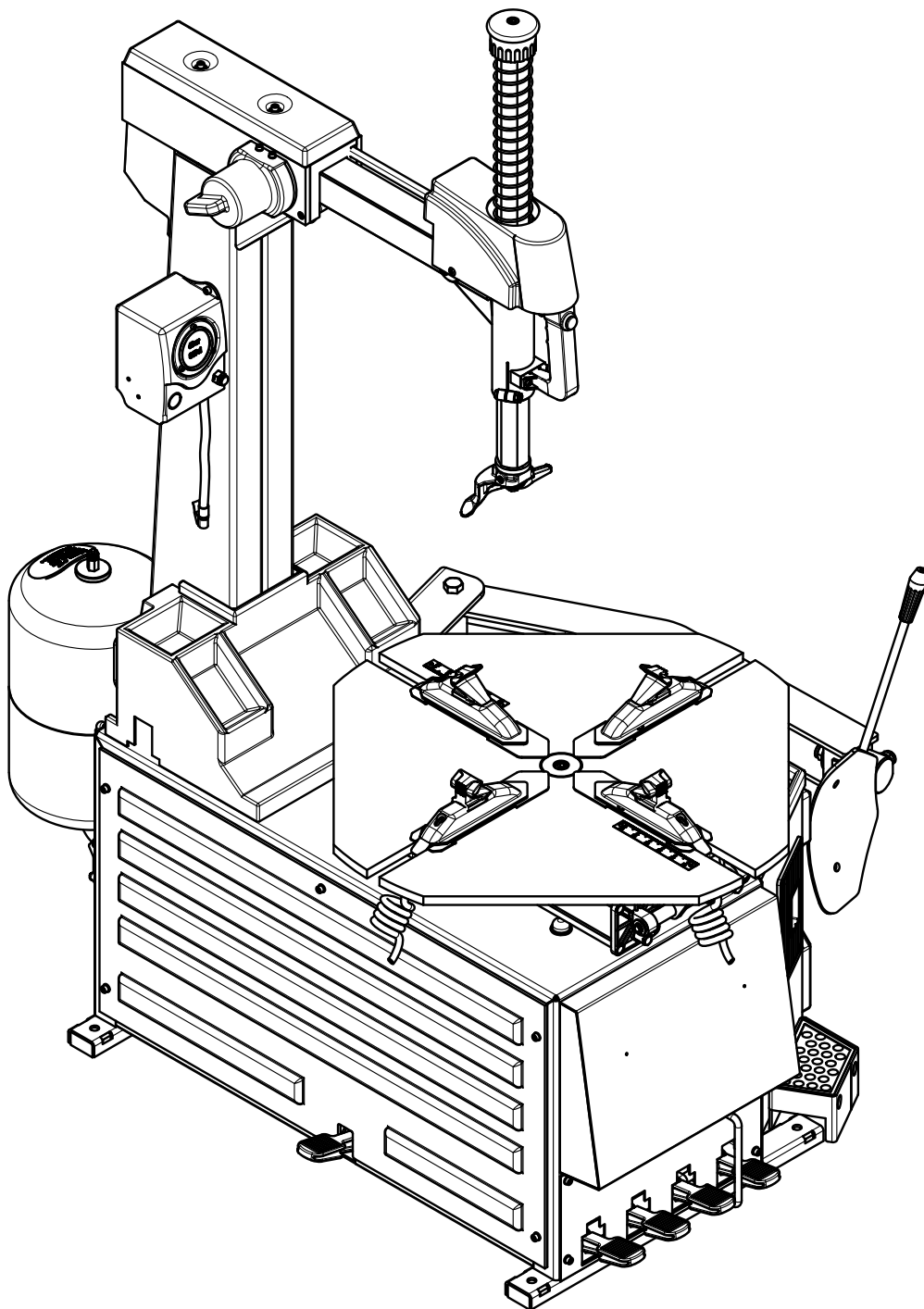
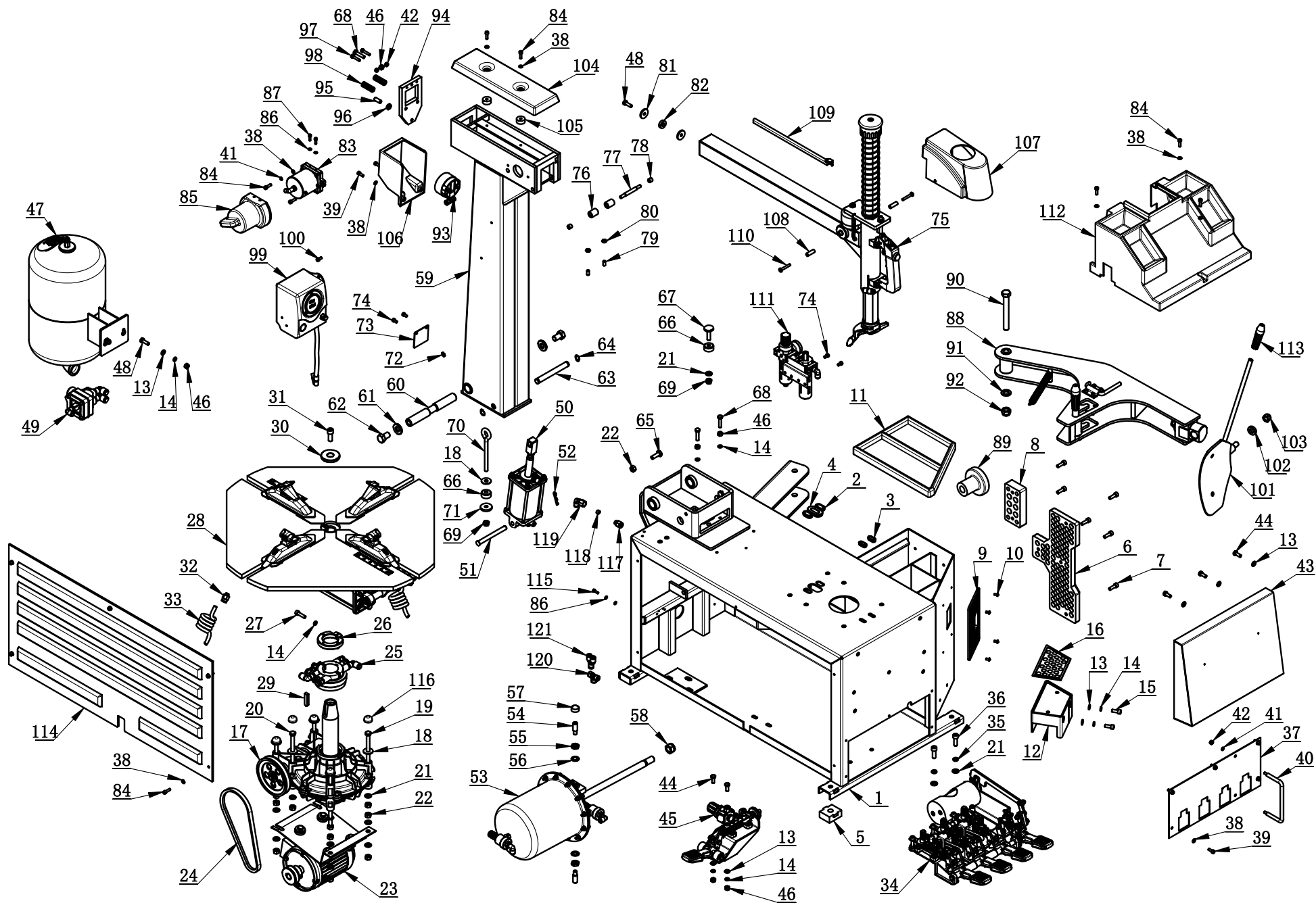


V-730 Main Engine Exploded Drawing

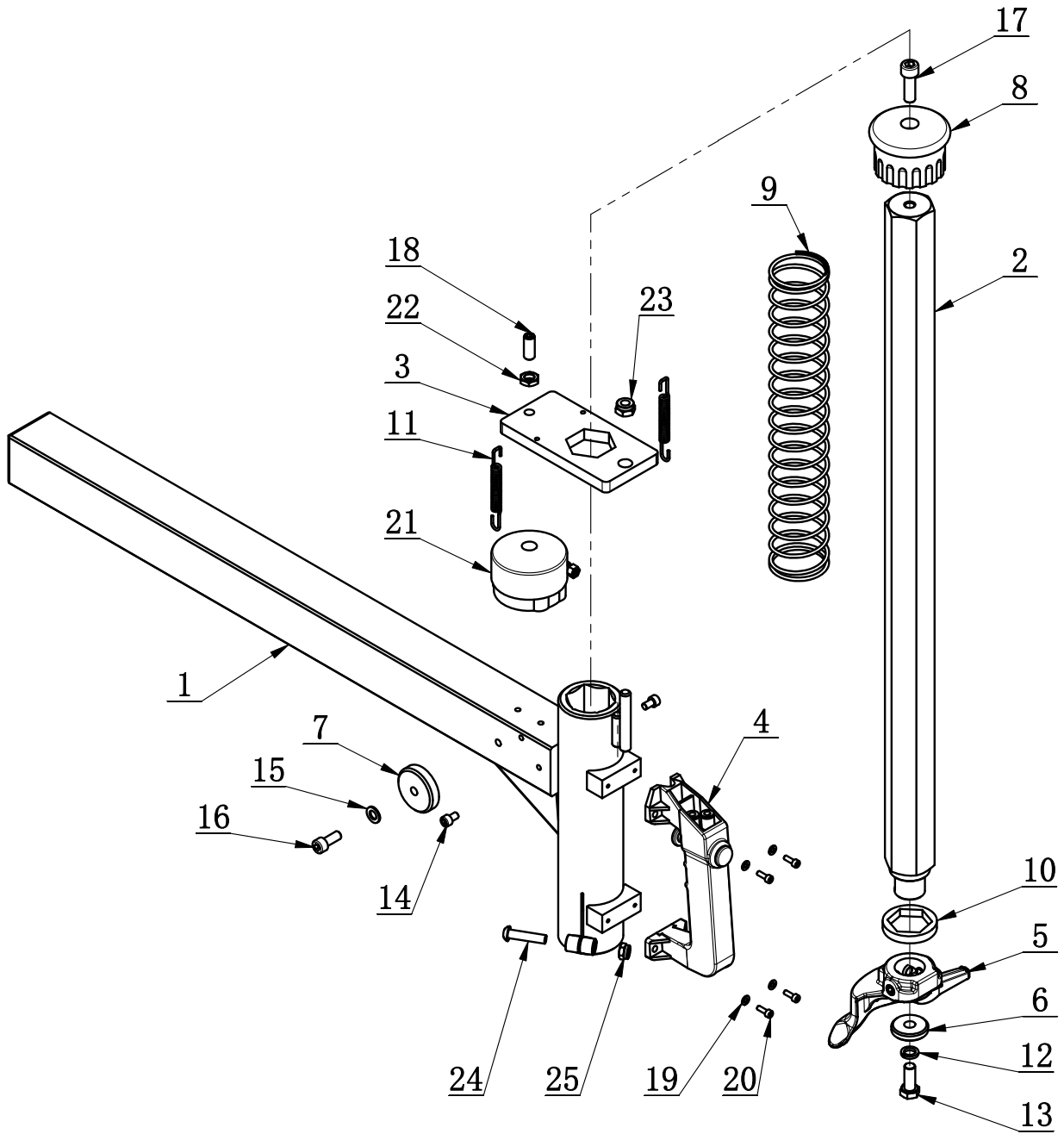




ITEM	PART. No	DESCRIPTION.	QT. Y
1	C-90-1800000	BODY	1
2	C-54-1000022	PLUG C	2
3	C-54-1000023	PLUG A	2
4	C-54-1000028	PLUG B	1
5	C-54-1000005	RUBBER FOOT	4
6	C-31-1000010	RUBBER PAD PLATE	1
7	GB70. 1-M8×25	INNER HEXA CYLINDRICAL SCREW	6
8	C-90-1000001	RIM SUPPORT	1
9	C-90-1000004	RUBBER PLATE	1
10	C-90-1000014	CROSS PANHEAD SCREW	4
11	C-90-1000008	PROTECTIVE COVER	1
12	C-90-1500000	WASHER	1
13	GB95-8	FLAT WASHER	9
14	GB93-8	STANDARD SPRING WASHER	9
15	GB70. 1-M8×20	INNER HEXA CYLINDRICAL SCREW	2
16	C-90-1000002	WASHER	1
17	CT-J-4100000	GEARBOX ASSEMBLY (USED WITH 50HZ MOTOR)	1
18	GB96. 1-10	LARGE WASHER A GRADE	7
19	GB5782-M10×200-8. 8	BOLT M10×200	4
20	GB5782-M10×160-8. 8	BOLT M10×160	2
21	GB95-10	FLAT WASHER	17
22	GB41-M10	HEXANGULAR NUT	16
23	CT-DJ-0344123	MOTOR (380V, 50Hz, 3P, 0. 85-1. 1Kw, DOUBLE SPEED)	1
24	CT-DJ-0000007	BELT (USED WITH 50HZ MOTOR)	1
25	CT-Q-4000000	ROTATING UNION	1
26	CT-Q-6000000	CLAMP RING	1
27	GB70. 1-M8×30	INNER HEXA CYLINDRICAL SCREW	1
28	CT-Y-7100000	TURNTABLE ASSEMBLY (26 INCH)	1
29	GB1096-C12×8×45	COMMON FLAT KEY	1
30	C-54-1000012	PRESS COVER	1
31	GB70. 1-M12×30	INNER HEXA CYLINDRICAL SCREW	1
32	FPC 10-01	MALE STRAIGHT	4
33	C-54-1000029	PU SPIRAL TUBE	4
34	CT-D-B300000	PEDAL ASSEMBLY (DOUBLE SPEED)	1
35	GB93-10	STANDARD SPRING WASHER	2
36	GB70. 1-M10×30	INNER HEXA CYLINDRICAL SCREW	2
37	C-90-1000003	PROTECTIVE COVER	1
38	GB95-6	FLAT WASHER	19
39	GB70. 1-M6×16	INNER HEXA CYLINDRICAL SCREW	7
40	C-71-1000005	PROTECTIVE ROD	1V

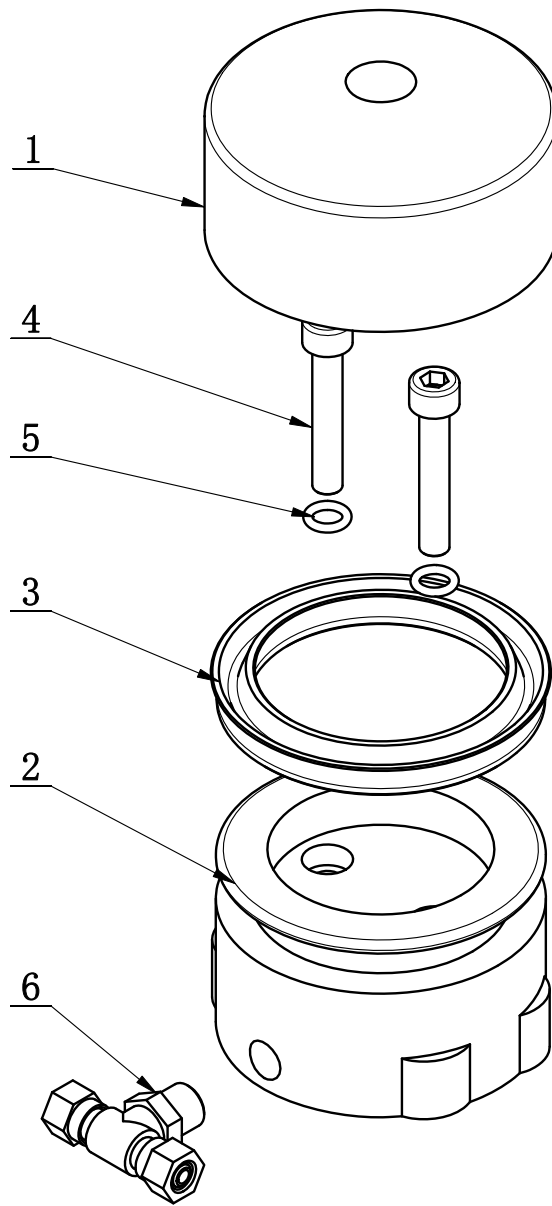
ITEM	PART. No	DESCRIPTION.	QT. Y
41	GB93-6	STANDARD SPRING WASHER	4
42	GB41-M6	HEXANGULAR NUT	4
43	C-90-1400000A	PROTECTIVE COVER	1
44	GB5783-M8×20	HEXANGULAR BOLT	5
45	CT-K-1C00000	INFLATION PEDAL ASSEMBLY	1
46	GB41-M8	HEXANGULAR NUT	7
47	CT-K-4200000	STORAGE TANKS ASSEMBLY	1
48	GB5783-M8×25	HEXANGULAR BOLT	3
49	CT-K-2200000	QUICK EXHAUST VALVE ASSEMBLY	1
50	CT-XD-2000000	PULL-OUT CYLINDER ASSEMBLY	1
51	GB882-12×120	PIN SHAFT	1
52	C-77-1000012	CIRCLIP	1
53	CT-LS-3300000	BEAD BREAKER CYLINDER ASSEMBLY	1
54	C-54-1000010	SCREWS M14X42	2
55	GB6172. 1-M14	HEXANGULAR THIN NUT	2
56	GB861. 1-14	INNER TOOTH LOCK WAHSER	2
57	C-54-1000013	SEALED COVER	1
58	GB889. 2-M18×1. 5	NUT M18×1. 5	1
59	C-90-1200000	COLUMN WELDING ASSY	1
60	C-90-1000009	BOTTOM ROTATION SHAFT	1
61	C-71-1000010	WASHER	2
62	GB5783-M16×25-W8. 8	HEXANGULAR BOLT	2
63	C-90-1000010	PULL-OUT SHAFT	1
64	GB894. 1-16	SHAFT ELATIC BIG RETAINING RING A-TYPE	2
65	C-90-1000012	POSITION BOLT	2
66	C-71-1000013	WASHER Φ30xΦ10x15	2
67	C-90-1000011	BUMPER LOCK BOLT	1
68	GB5783-M8×35	HEXANGULAR BOLT	3
69	GB889. 1-M10	1-TYPE PREVAILING TORQUE TYPE HEXAGON LOCK NUT	2
70	C-63-1000002	CONNECTION ROD	1
71	C-71-1000028	WASHER	1
72	TC-10-8400006	OIL BOTTLE	1
73	C-80-1000010	BLOCK PLATE	1
74	GB70. 1-M6×10	INNER HEXA CYLINDRICAL SCREW	4
75	C-90-1300000	HORIZONTAL ARM ASSEMBLY	1
76	C-77-1000001A	ROTATING SPACER	2
77	C-77-1000002	SUPPORT SHAFT	1
78	GB77-M12×12	INNER HEXA FLAT TERMINUS SET SCREW	2
79	GB77-M8×16	INNER HEXA FLAT TERMINUS SET SCREW	2
80	GB6172. 1-M8	HEXANGULAR THIN NUT	2V

ITEM	PART. No	DESCRIPTION.	QT. Y
81	C-77-1000003	CUSHION	2
82	C-77-1000004	RUBBER WASHER	1
83	C-90-1600000	HORIZONTAL LOCK CYLINDER	1
84	GB70.1-M6×20	INNER HEXA CYLINDRICAL SCREW	12
85	C-90-1000007	PROTECTIVE COVER	1
86	GB95-5	FLAT WASHER	5
87	GB70.1-M5×16	INNER HEXA CYLINDRICAL SCREW	3
88	CT-B-1000000	BEAD BREAKER ARM ASSEMBLY	1
89	CT-B-1200000	RUBBER COVER	1
90	GB5782-M16×130	HEXANGULAR BOLT	1
91	GB95-16	FLAT WASHER	1
92	GB889.1-M16	1-TYPE PREVAILING TORQUE TYPE HEXAGON LOCK NUT	1
93	C-90-1700000	LOCKING CYLINDER ASSY	1
94	C-77-1400000	QUADRIC LOCK PLATE WELDING	1
95	C-71-1000029	INNER HEXA FLAT TERMINUS SET SCREW	1
96	GB6173-M10×1.0	HEXA THIN NUT	1
97	GB5783-M6×30	HEXANGULAR BOLT	2
98	C-71-1000018	PRESS SPRING	2
99	CT-K-3200000	INFLATOR COVER ASSEMBLY	1
100	GB70.1-M6×12	INNER HEXA CYLINDRICAL SCREW	2
101	CT-C-1100000	BEAD BREAKER BLADE	1
102	GB955-14	WAVE-FORM SPRING WASHER	1
103	GB889.1-M14	1-TYPE PREVAILING TORQUE TYPE HEXAGON LOCK NUT	1
104	C-77-1000007	PROTECTIVE COVER	1
105	C-90-1000015	RUBBER MAT	2
106	C-77-1000008	PROTECTIVE COVER	1
107	C-90-1300003	PROTECTION COVER	1
108	C-77-1000006	PROTECTIVE HOOD LOCK BUSHING	2
109	C-77-1000009	AIR HOSE CHUTE	1
110	GB818-M6×40-H	CROSS PANHEAD SCREW	2
111	CT-F-2121200	AIR REGULATOR ASSEMBLY	1
112	C-90-1000005	PROTECTIVE COVER	1
113	TC-40-1200022	RUBBER COVER	1
114	C-90-1000017	SIDE PANEL	1
115	GB5783-M5×16	HEXANGULAR BOLT	1
116	C-01-1000006	COVER CAP	6
117	FPC 8-02	MALE STRAIGHT	1
118	C-54-1000027	JOINT SEALING GASKET	1
119	FPLF 8-02	FEMALE ELBOW	1
120	FPT 6-8-8	DIFFERENT DIA OF UNION TEE	1
121	FPY-8	Y-SHAPE INSERT FITTING Φ8	1V



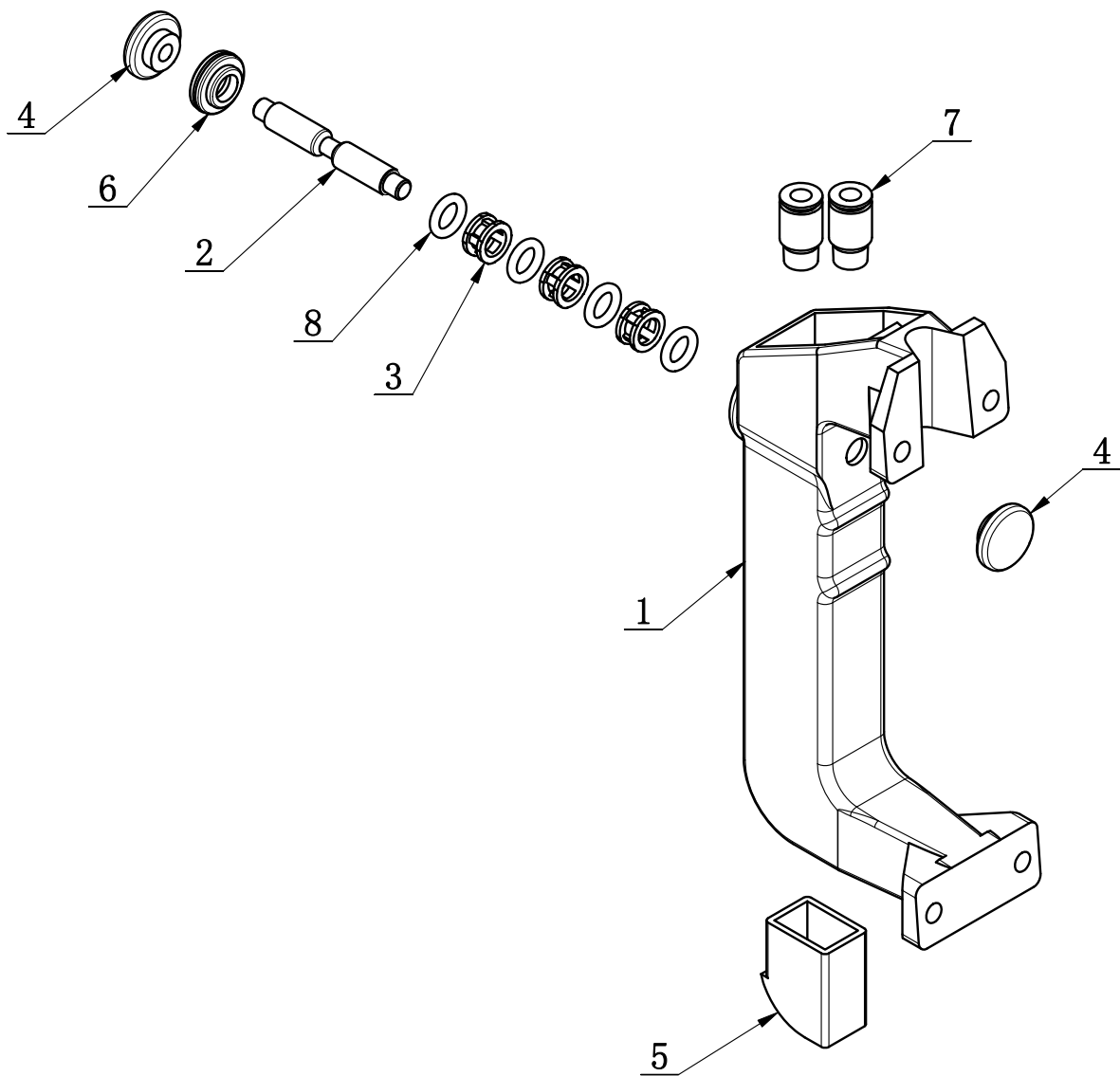
ITEM	PART. No	DESCRIPTION.	QT. Y
1	C-90-1310000	HORIZONTAL ARM WELDING	1
2	C-90-1300001	HEXANGULAR SHAFT	1
3	C-77-1300004	HEXANGULAR LOCK PLATE	1
4	C-71-1330000	HANDLE CONTROLLING VALVE	1
5	C-54-0001000	DEMOUNTING HEAD ASSEMBLY	1
6	C-54-1300008	PRESS WASHER	1
7	C-71-1300005A	POSITIONING BLOCK	1
8	C-54-1300003	VERTICAL SHAFT COVER	1
9	C-90-1300002	VERTICAL SHAFT SPRING	1
10	C-54-1300007	SHOCK ABSORBER WASHER	1
11	C-71-1300004	SPRING	2
12	GB93-10	STANDARD SPRING WASHER	1
13	GB5783-M10×25-12.9	HEXANGULAR BOLT	1
14	GB70.1-M6×10	INNER HEXA CYLINDRICAL SCREW	2
15	GB95-8	FLAT WASHER	1
16	GB70.1-M8×20	INNER HEXA CYLINDRICAL SCREW	1
17	GB70.1-M10×30	INNER HEXA CYLINDRICAL SCREW	1
18	C-71-1000029	INNER HEXA FLAT TERMINUS SET SCREW	1
19	GB95-4	FLAT WASHER	4
20	GB70.1-M4×12	INNER HEXA CYLINDRICAL SCREW	4
21	C-71-1320000	LOCKING CYLINDER ASSY	1
22	GB6173-M10×1.0	HEXA THIN NUT	1
23	GB889.1-M10	1-TYPE PREVAILING TORQUE TYPE HEXAGON LOCK NUT	1
24	GB70.2-M8×35	INNER HEXA CYLINDRICAL ROUND HEAD SCREW	1
25	GB889.1-M8	1-TYPE PREVAILING TORQUE TYPE HEXAGON LOCK NUT	1

C-71-1320000



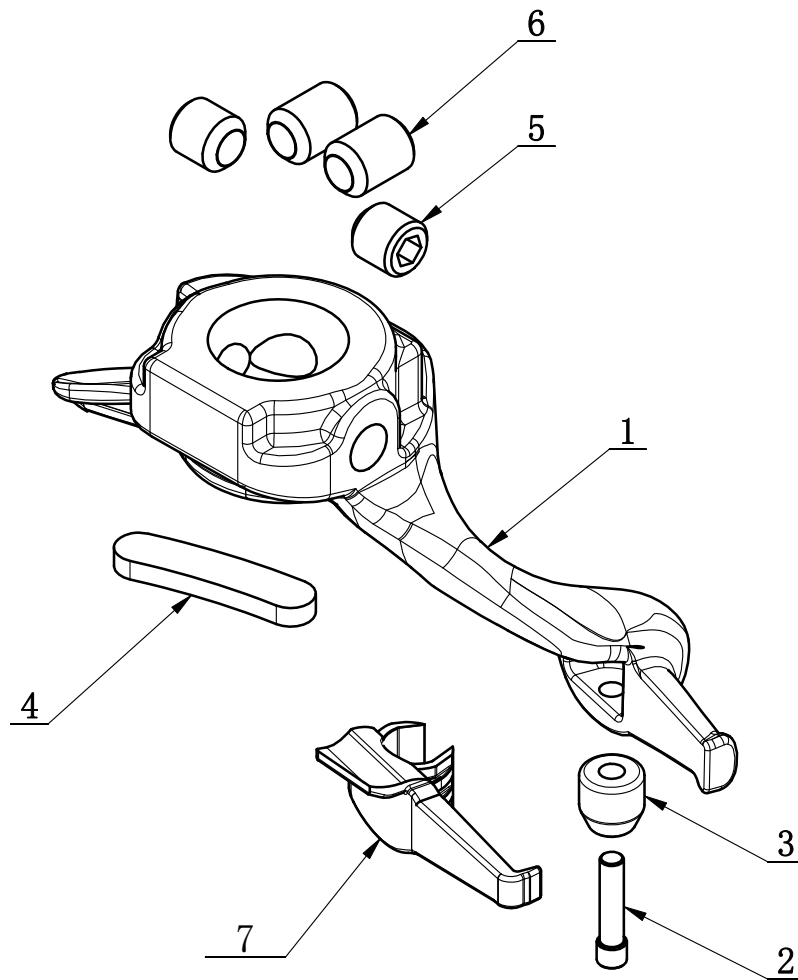
ITEM	PART. No	DESCRIPTION.	QT. Y
1	C-71-1320001	LOCK TURNTABLE CYLINDER HEAD	1
2	C-71-1320002	LOCK CYLINDER BODY	1
3	C-71-1320003	Y-RING	1
4	GB70. 1-M6×35	INNER HEXA CYLINDRICAL SCREW	2
5	GB3452. 1-6×1.8-G	HYDRAULIC-PNEUMATIC RUBBER O-RING G TYPE	2
6	PBS 6-01	MALE BRANCH TEE NUT	1

C-71-1330000



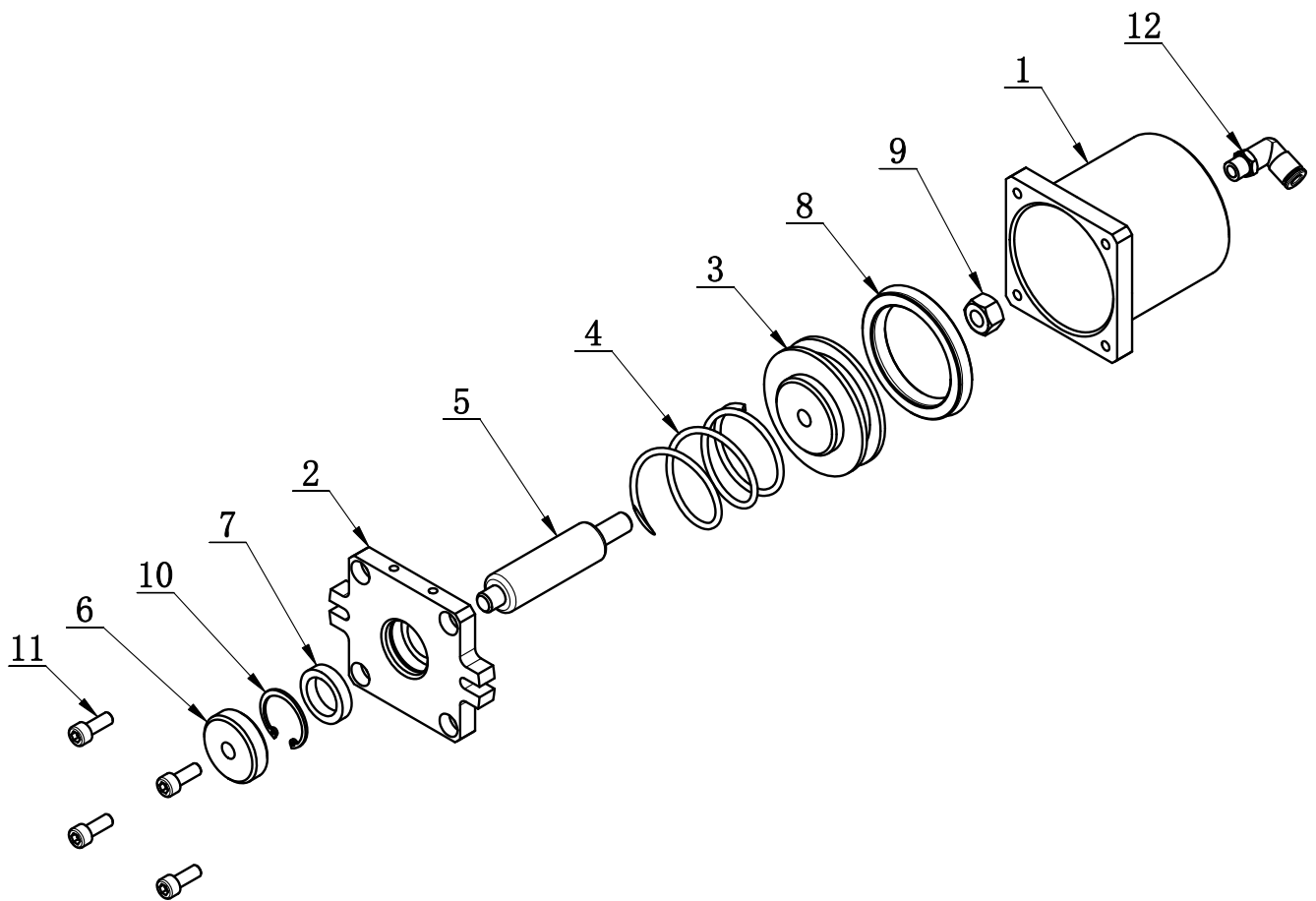
ITEM	PART. No	DESCRIPTION.	QT. Y
1	C-71-1330001	HANDLE CONTROL VALVE	1
2	C-71-1330002	VALVE ROD	1
3	C-71-1330003	VALVE SPACER	3
4	C-71-1330004	FRONT COVER	2
5	C-71-1330005	REAR COVER	1
6	C-71-1330006	FRONT SEALING COVER	1
7	MFPC 6-01	MALE STRAIGHT	2
8	GB3452. 1-8×2. 65-A	HYDRAULIC-PNEUMATIC RUBBER O-RING A TYPE	4

C-54-0001000

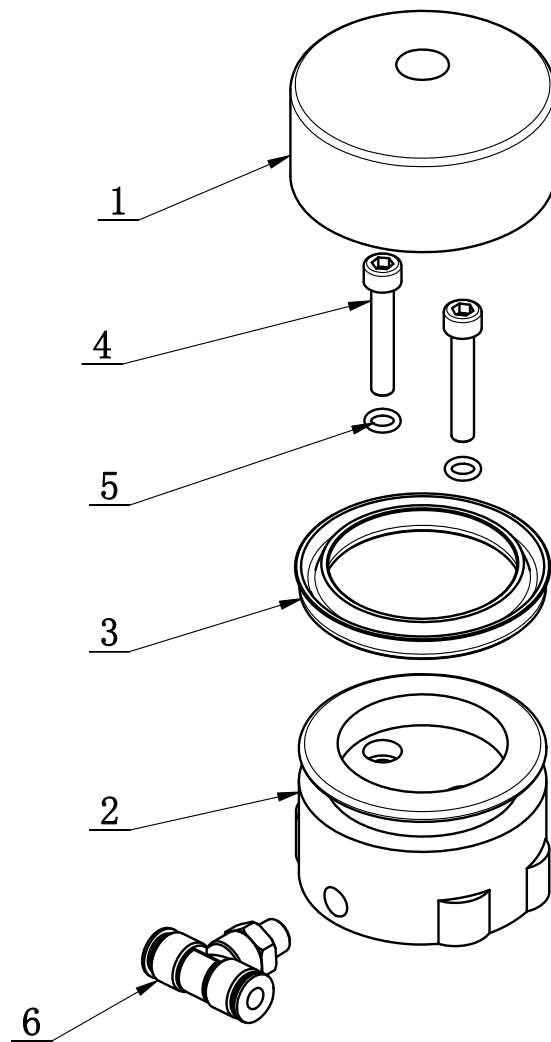


ITEM	PART. No	DESCRIPTION.	QT. Y
1	C-54-1300004	DEMOUNTING HEAD	1
2	C-54-1300006	ROLLER BOLT	1
3	C-54-1300009	ROLLER	1
4	C-54-8000007	TOOL HEAF TAIL WASHER	1
5	GB80-M12×12	INNER HEXA RECESSED TERMINUS SET SCREW	2
6	GB80-M12×16	INNER HEXA RECESSED TERMINUS SET SCREW	2
7	C-54-1300014	SHEATH	1

C-90-1600000

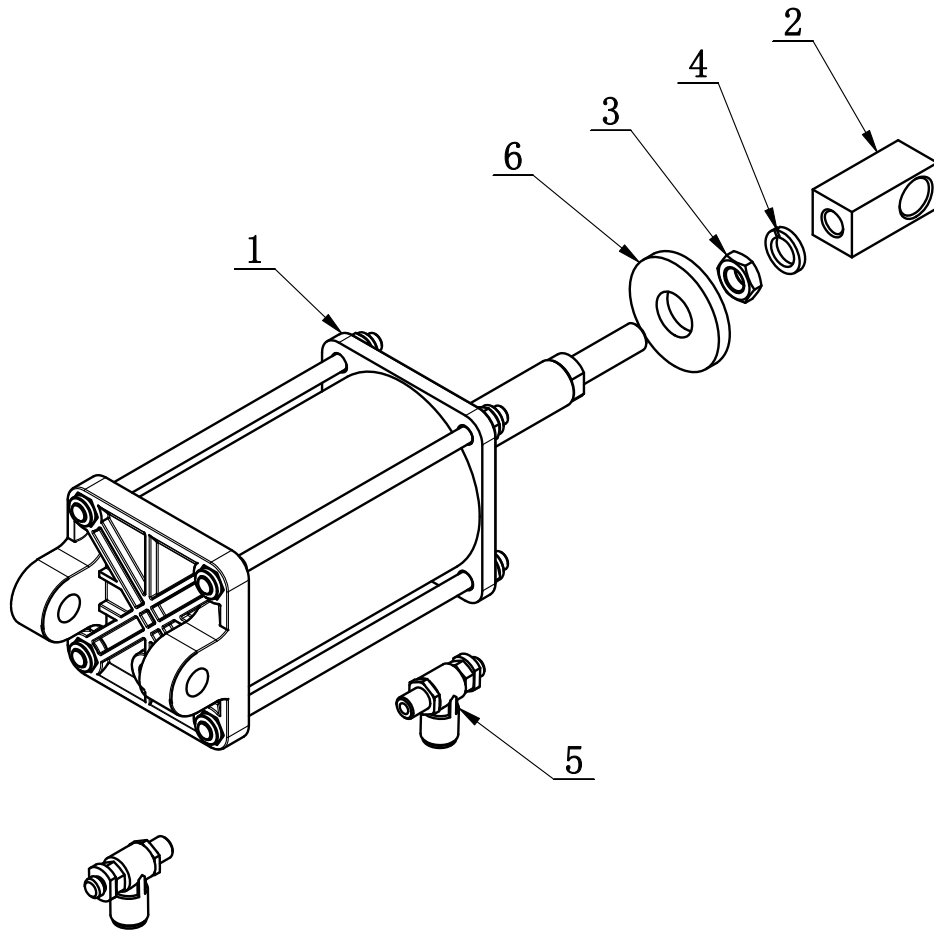


ITEM	PART. No	DESCRIPTION.	QT. Y
1	C-90-1600001	CYLINDER BODY	1
2	C-90-1600002	CYLINDER COVER	1
3	C-90-1600003	PISTON	1
4	C-90-1600004	PRESS SPRING	1
5	C-90-1600005	PISTON ROD	1
6	C-90-1600006	WASHER	1
7	C-90-1600007	RING $\Phi 28 \times \Phi 20 \times 6$	1
8	C-71-1320003	Y-RING	1
9	GB41-M10	HEXANGULAR NUT	1
10	GB893. 1-28	ELASTIC RETAINING RING A-TYPE	1
11	GB70. 1-M6 \times 16	INNER HEXA CYLINDRICAL SCREW	4
12	FPL 6-01	MALE ELBOW	1



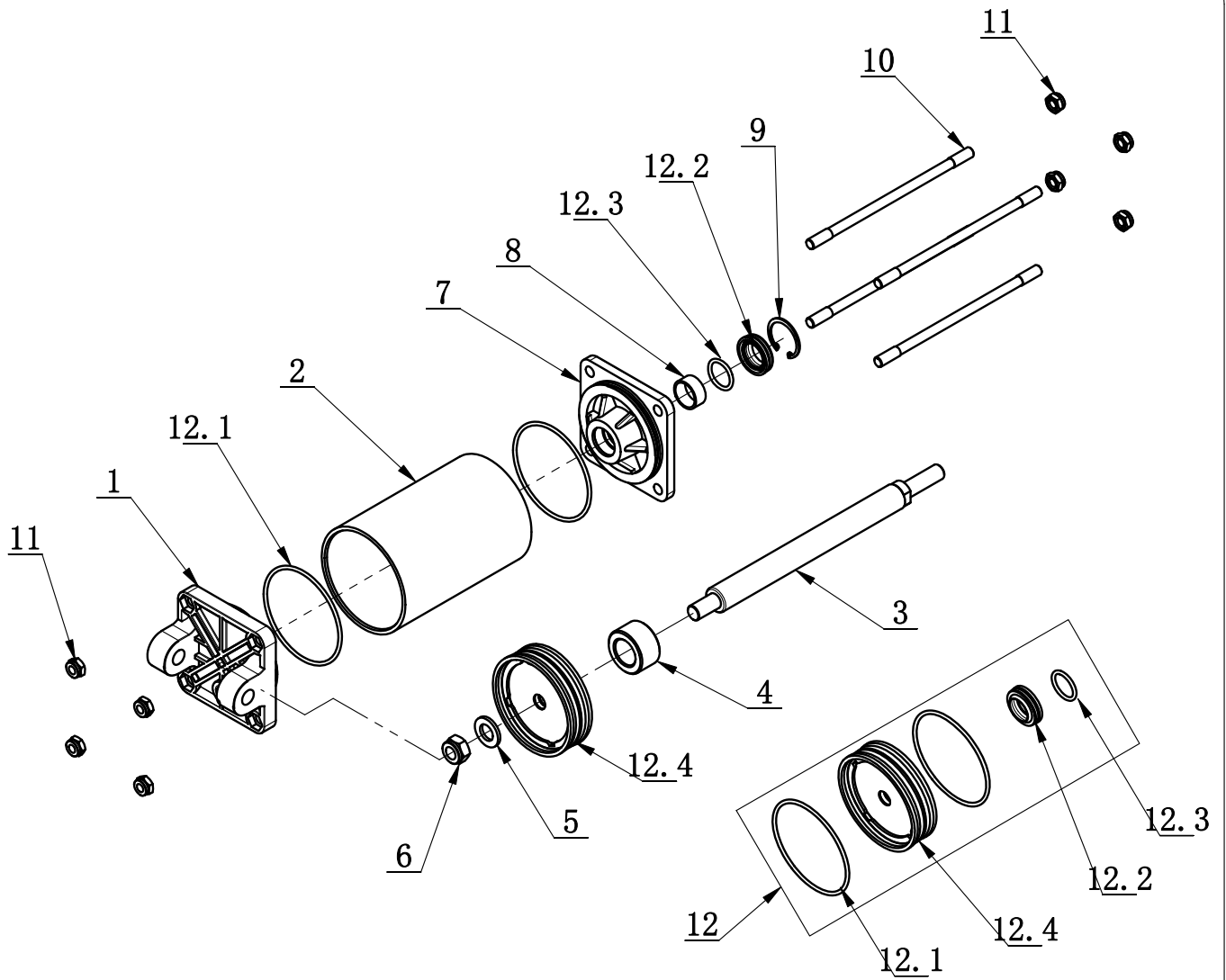
ITEM	PART. No	DESCRIPTION.	QT. Y
1	C-71-1320001	LOCK TURNTABLE CYLINDER HEAD	1
2	C-71-1320002	LOCK CYLINDER BODY	1
3	C-71-1320003	Y-RING	1
4	GB70. 1-M6×35	INNER HEXA CYLINDRICAL SCREW	2
5	GB3452. 1-6×1. 8-G	HYDRAULIC-PNEUMATIC RUBBER O-RING G TYPE	2
6	FBP 6-01	MALE BRANCH TEE	1

CT-XD-2000000

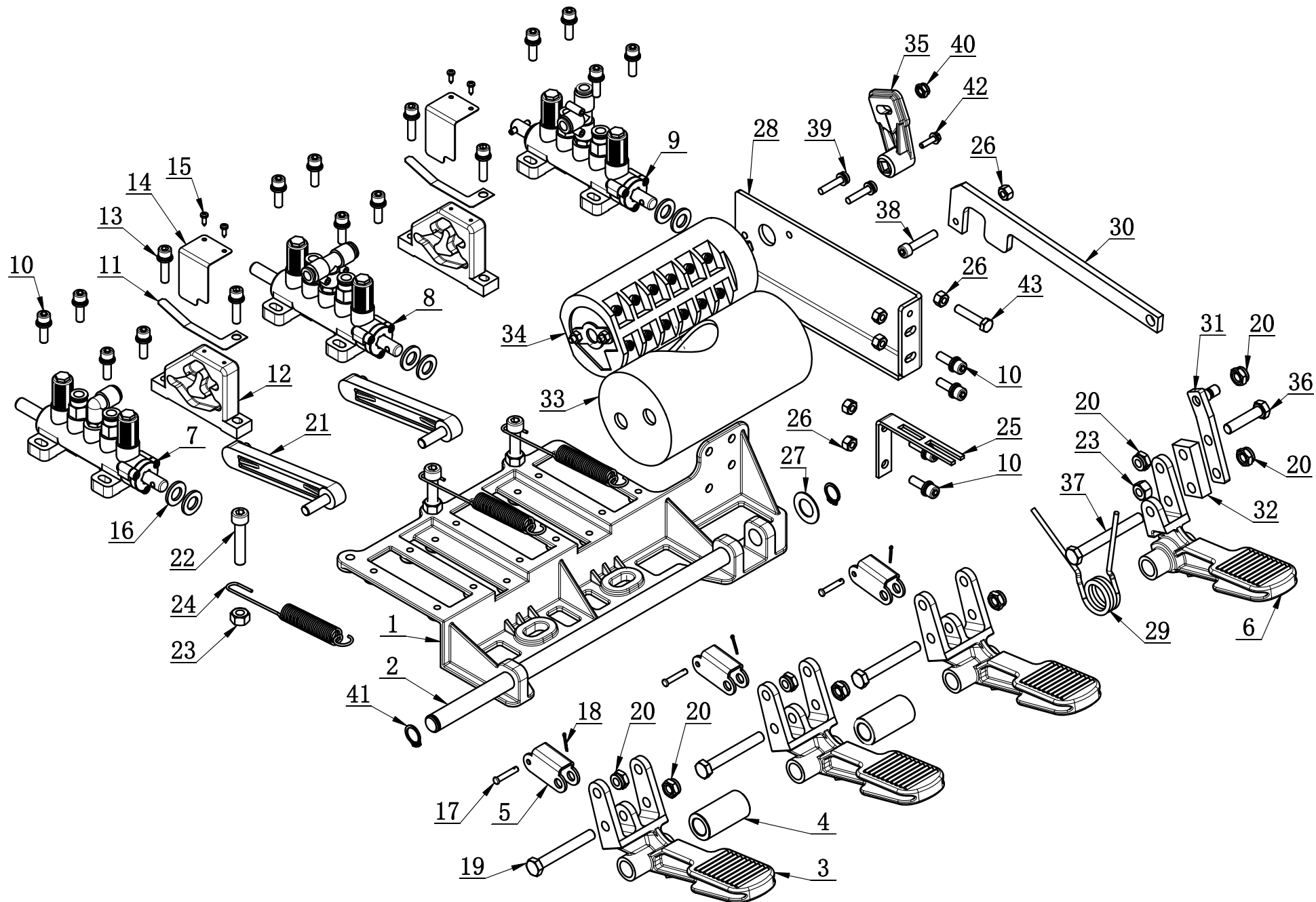


ITEM	PART. No	DESCRIPTION.	QT. Y
1	CT-XD-2200000	PULL-OUT CYLINDER	1
2	CT-XD-1000004	SHAFT CONNECTOR	1
3	GB6172. 1-M12	HEXANGULAR THIN NUT	1
4	GB93-12	STANDARD SPRING WASHER	1
5	FJSC 8-01	ELBOW SPEED CONTROLLER	2
6	H-12-1000001	FELT WASHER	1

CT-XD-2200000

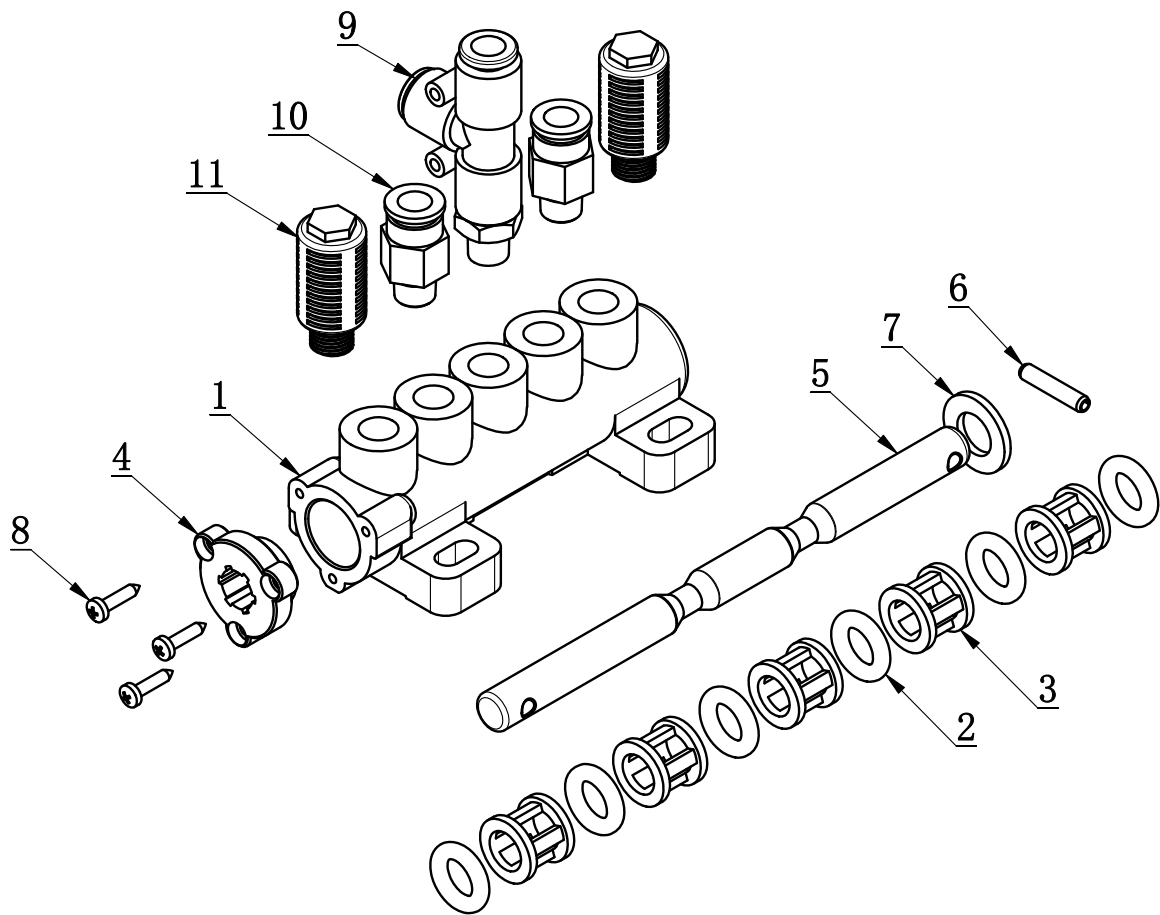


ITEM	PART. No	DESCRIPTION.	QT. Y
1	CT-XD-1000005	CYLINDER REAR COVER	1
2	CT-XD-1000001	CYLINDER BODY	1
3	CT-XD-2000002	SHAFT-CYLINDER	1
4	CT-XD-2000001	SPACER	1
5	GB95-12	FLAT WASHER	1
6	GB889. 1-M12	1-TYPE PREVAILING TORQUE TYPE HEXAGON LOCK NUT	1
7	CT-Y-4120004	CYLINDER FRONT COVER	1
8	GB12613-23×20×10	BEARING-SLIDE	1
9	GB893. 1-30	ELASTIC RETAINING RING A-TYPE	1
10	CT-XD-1000003	BAR	4
11	GB889. 1-M8	1-TYPE PREVAILING TORQUE TYPE HEXAGON LOCK NUT	8
12	CT-Y-4121000	CYLINDER SEALING PARTS ASSEMBLY	1
12.1	GB3452. 1-75×2. 65-G	HYDRAULIC-PNEUMATIC RUBBER O-RING G TYPE	2
12.2	CT-Y-0160007	SEAL-ROD, CYLINDER	1
12.3	GB3452. 1-20×2. 65-G	HYDRAULIC-PNEUMATIC RUBBER O-RING G TYPE	1
12.4	CT-Y-4120006	PISTON	1

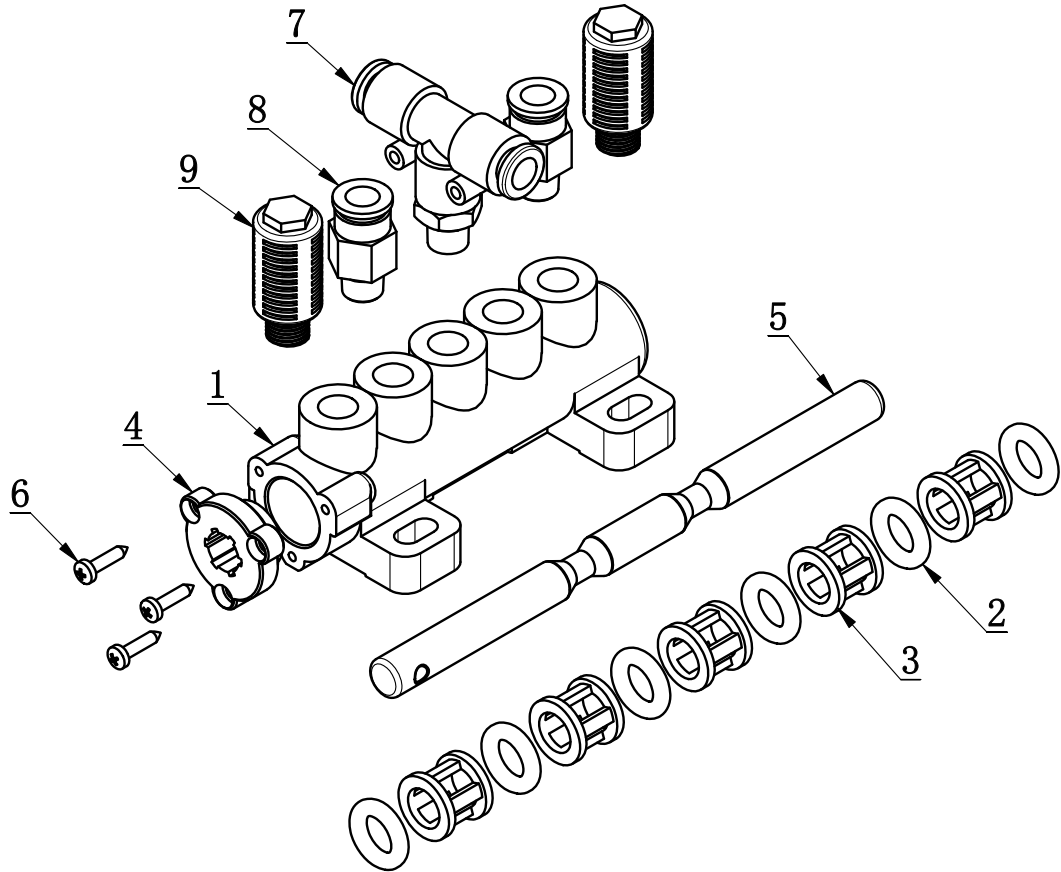


CT-D-B300000

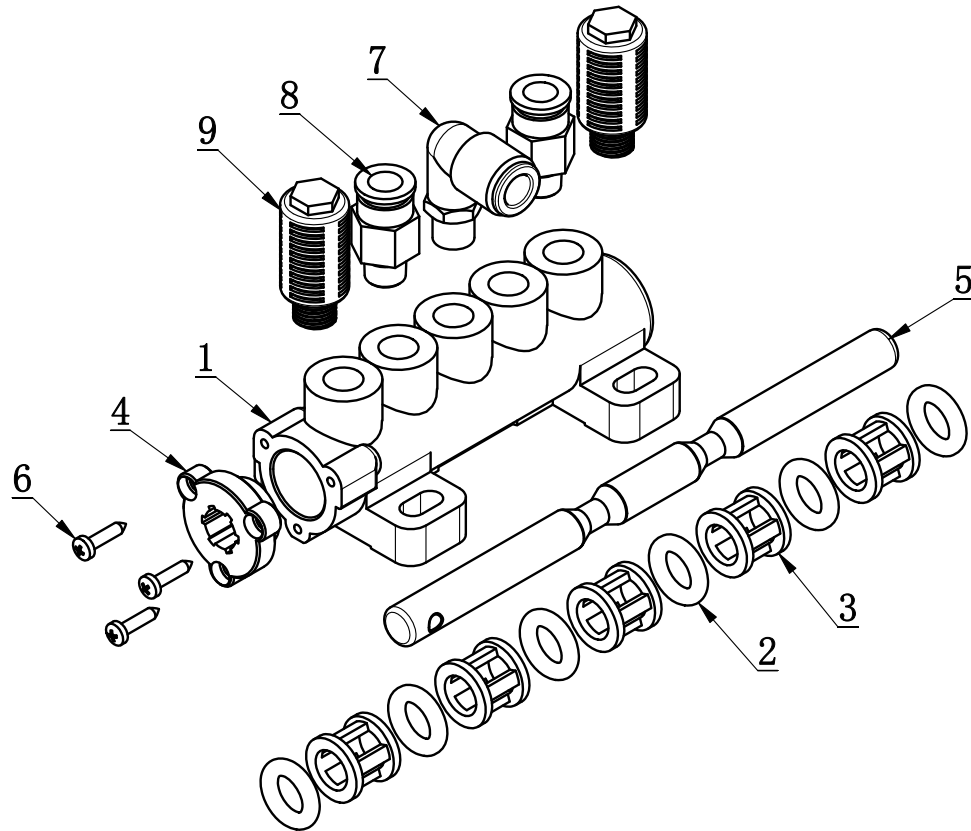
ITEM	PART. No	DESCRIPTION.	QT. Y
1	CT-D-6100001	PEDAL SUPPORT	1
2	CT-D-6100002	BOTTOM SHAFT	1
3	CT-D-9100002	PEDAL	3
4	CT-D-2100001	SPACER	2
5	CT-D-5100005	CONNECTION PART	3
6	CT-D-9100001	PEDAL	1
7	CT-D-0012000	VALVE	1
8	CT-D-0014000	VALVE	1
9	CT-D-0010000	VALVE	1
10	GB9074-M6×20	COMBINATION SCREW	16
11	CT-D-2100004	FORK SPRING PLATE	2
12	CT-D-1100009B	CAM	2
13	GB9074-M6×25	COMBINATION SCREW	4
14	CT-D-1100011A	CAM BAFFLE PLATE	2
15	GB845-ST2.9×9.5 H C	CROSS PANHEAD TAPPING SCREW	4
16	GB95-10	FLAT WASHER	6
17	GB882-4×22	PIN SHAFT	3
18	GB91-1.6×10	SLOTTED PIN	3
19	GB5783-M8×60	HEXANGULAR BOLT	3
20	GB889.1-M8	1-TYPE PREVAILING TORQUE TYPE HEXAGON LOCK NUT	8
21	CT-D-1100008	CAM CONNECTING ROD	2
22	GB70.1-M8×40	INNER HEXA CYLINDRICAL SCREW	3
23	GB41-M8	HEXANGULAR NUT	4
24	CT-D-5100007	SPRING	3
25	CT-D-2100010	TORSION SPRING BRACKET	1
26	GB41-M6	HEXANGULAR NUT	6
27	CT-D-2100014	WASHER	1
28	CT-D-8100001	SWITCH BARCKET	1
29	CT-D-7100001	TORSION SPRING	1
30	CT-D-7100002	SWITCH CONNECTING PLATE	1
31	CT-D-7100004H	BRACKET PLATE	1
32	CT-D-7100005	SAPCER PLATE	1
33	CT-D-7100006	SWITCH COVER	1
34	CT-D-7100007	SWITCH	1
35	CT-D-7100008	REVERSE LEVER	1
36	GB5783-M8×35	HEXANGULAR BOLT	1
37	GB5783-M8×70	HEXANGULAR BOLT	1
38	GB70.1-M6×30	INNER HEXA CYLINDRICAL SCREW	1
39	GB9074.4-M5×25	COMBINATION SCREW	2
40	GB889.1-M6	1-TYPE PREVAILING TORQUE TYPE HEXAGON LOCK NUT	1
41	GB894.1-14	SHAFT ELATIC BIG RETAINING RING A-TYPE	2
42	GB9074.13-M4×16	COMBINATION SCREW	1
43	GB5783-M6×30	HEXANGULAR BOLT	1



ITEM	PART. No	DESCRIPTION.	QT. Y
1	CT-D-1110001	VALVE BODY	1
2	CT-D-1110003	O-RING	6
3	CT-D-1110004	SPACER	5
4	CT-D-1110005	VALVE CAP	1
5	CT-D-2600001	VALVE ROD	1
6	GB879. 1-4×20	ELASTIC CYLINDRICAL PIN, HEAVY	1
7	GB95-10	FLAT WASHER	1
8	GB845-ST2. 9×13 H C	CROSS PANHEAD TAPPING SCREW	3
9	FPD 8-01	MALE RUN TEE	1
10	FPC 8-01	MALE STRAIGHT	2
11	FSK 01	PLASTIC PARTICLE SILENCER	2

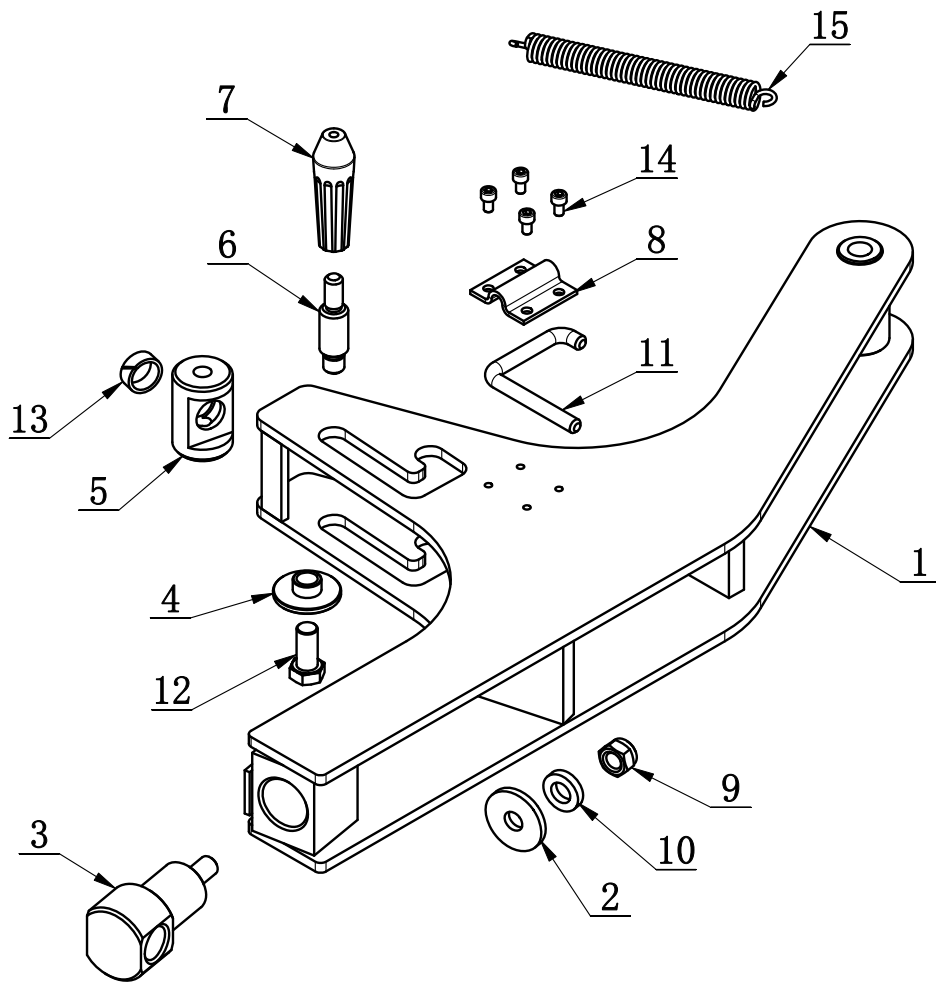


ITEM	PART. No	DESCRIPTION.	QT. Y
1	CT-D-1110001	VALVE BODY	1
2	CT-D-1110003	O-RING	6
3	CT-D-1110004	SPACER	5
4	CT-D-1110005	VALVE CAP	1
5	CT-D-2600003	VALVE ROD	1
6	GB845-ST2.9×13 H C	CROSS PANHEAD TAPPING SCREW	3
7	FPB 8-01	INSERT TEE, Φ8 , R1/8	1
8	FPC 8-01	MALE STRAIGHT	2
9	FSK 01	PLASTIC PARTICLE SILENCER	2



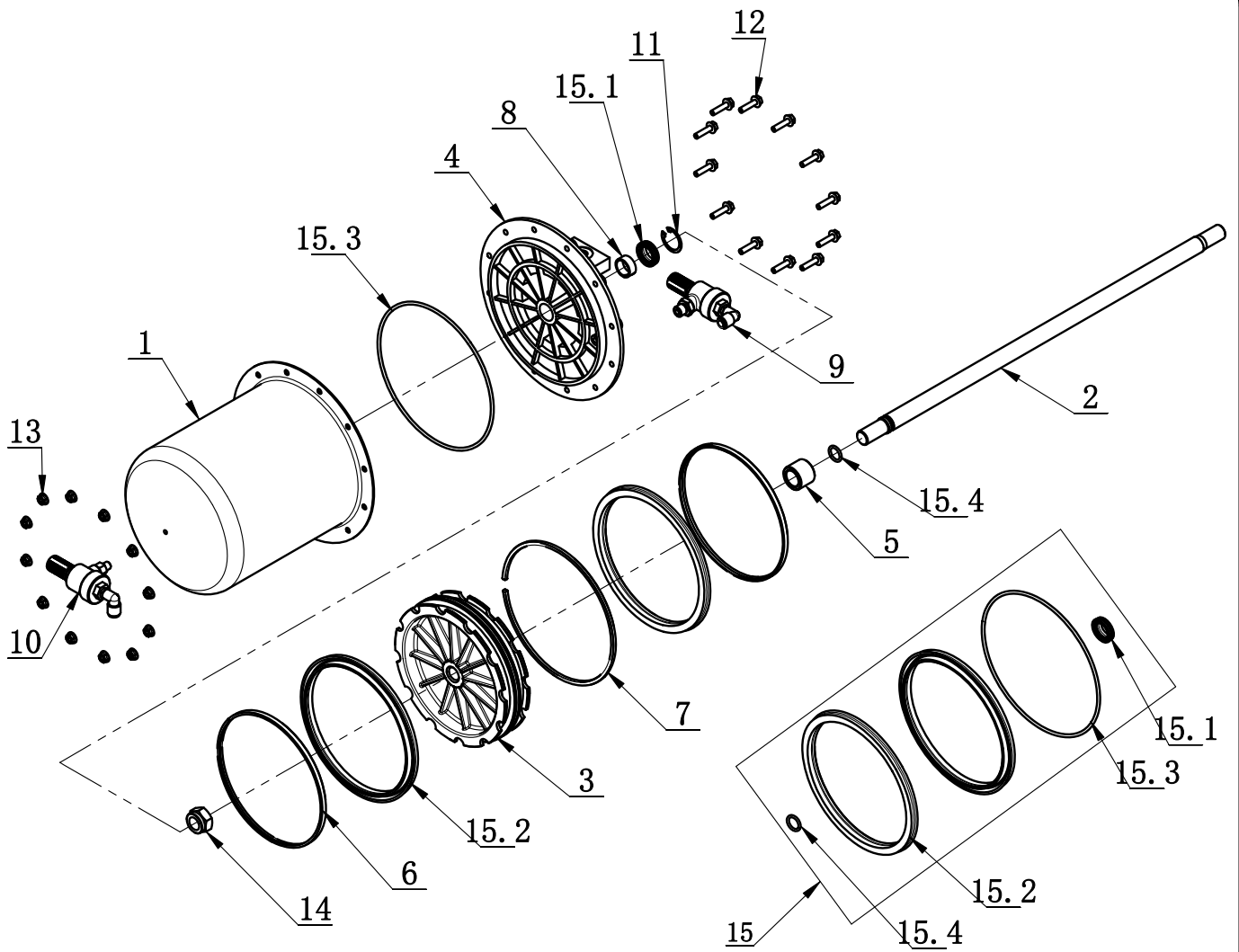
ITEM	PART. No	DESCRIPTION.	QT. Y
1	CT-D-1110001	VALVE BODY	1
2	CT-D-1110003	O-RING	6
3	CT-D-1110004	SPACER	5
4	CT-D-1110005	VALVE CAP	1
5	CT-D-2600003	VALVE ROD	1
6	GB845-ST2.9×13 H C	CROSS PANHEAD TAPPING SCREW	3
7	FPL 8-01	INSERT ELBOW Φ8, R1/8	1
8	FPC 8-01	MALE STRAIGHT	2
9	FSK 01	PLASTIC PARTICLE SILENCER	2

CT-B-1000000



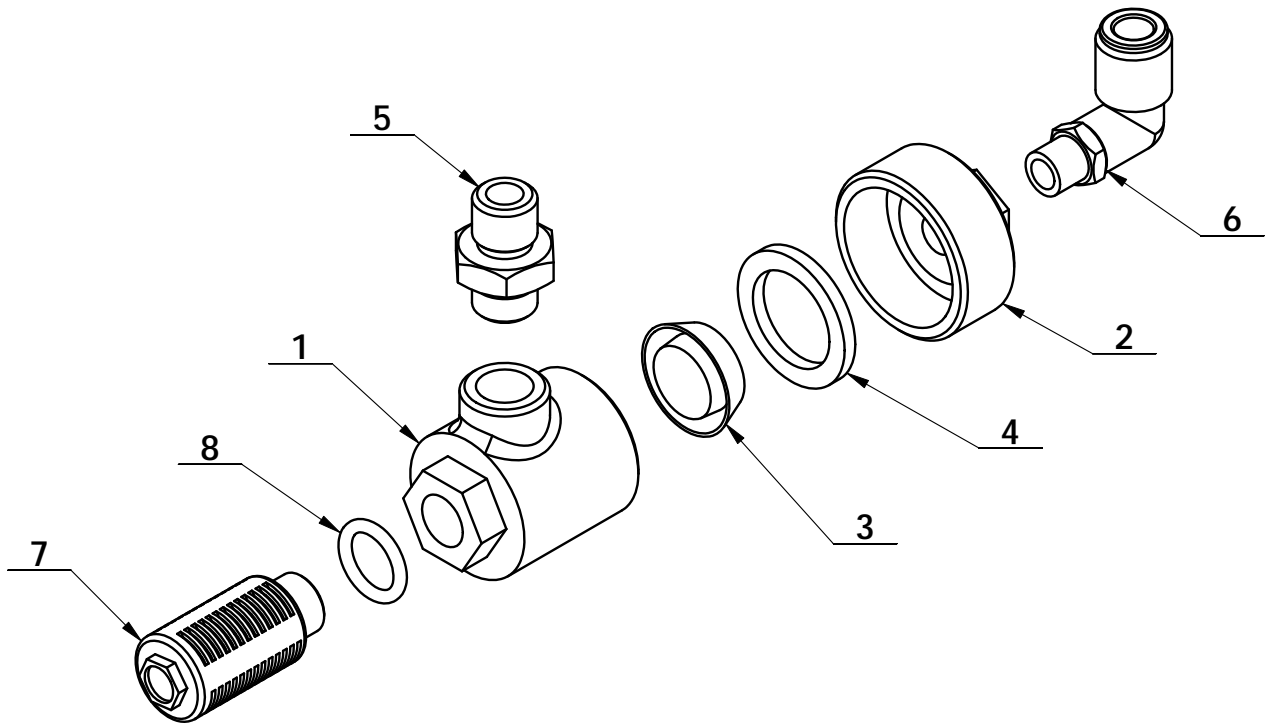
ITEM	PART. No	DESCRIPTION.	QT. Y
1	CT-B-1100000	BEAD BREAKER ARM	1
2	CT-B-1000002	WASHER	1
3	CT-B-1000001	CONNECTION SHAFT	1
4	CT-B-1000004	FIXTURE SPACER	1
5	CT-B-1000003	SLIDE SPACER	1
6	CT-B-1000005	HANDLE	1
7	CT-B-1000011	HANDLE COVER	1
8	CT-B-1000007	FIXTURE BRACKET	1
9	GB889. 1-M14	1-TYPE PREVAILING TORQUE TYPE HEXAGON LOCK NUT	1
10	GB955-14	WAVE-FORM SPRING WASHER	1
11	CT-B-1000006	BLOCK HANDLE	1
12	GB5783-M14×30	HEXANGULAR BOLT	1
13	CT-B-2000001	SLIDE SPACER	1
14	GB70. 1-M6×10	INNER HEXA CYLINDRICAL SCREW	4
15	CT-B-1000008	SPRING	1

CT-LS-3300000

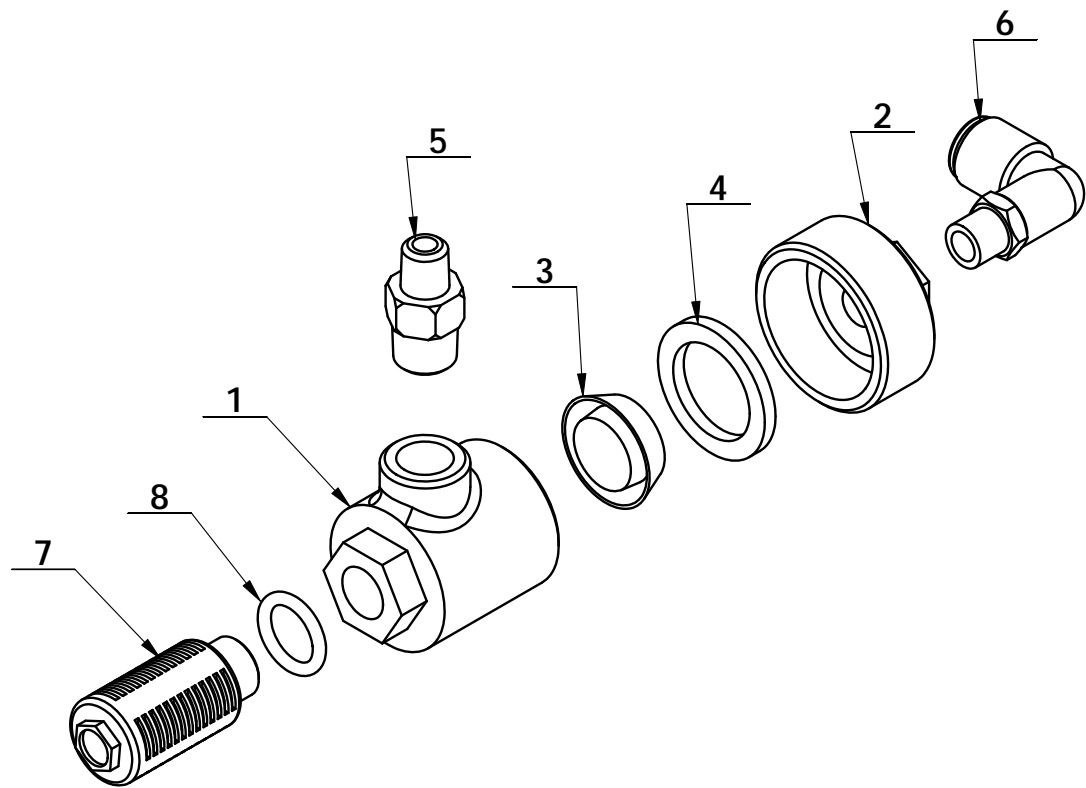


ITEM	PART. No	DESCRIPTION.	QT. Y
1	CT-LS-1200001	CYLINDER BODY	1
2	CT-LS-3100001	CYLINDER PISTON ROD	1
3	CT-LS-1100003	PISTON	1
4	CT-LS-1100004	CYLINDER COVER	1
5	CT-LS-1100005	SPACER	1
6	CT-LS-1100006	CLAMP RING	2
7	CT-LS-1100007	PISTION SUPPORT RING	1
8	CT-LS-1100008	GUIDER SPACER	1
9	CT-LS-1310000	QUICK DEFLATE VALVE ON COVER	1
10	CT-LS-1320000	QUICK DEFLATE VALVE ON BODY	1
11	GB893. 2-30	ELASTIC RETAINING RING B-TYPE	1
12	GB5789-AM6×25	HEXA FLANGE BOLT	12
13	GB6177. 1-M6	HEXA FLANGE NUT	12
14	GB889. 2-M18×1. 5	NUT M18×1. 5	1
15	CT-LS-1110000	CYCLINDER SEALING PARTS ASSEMBLY	1
15. 1	CT-Y-0160007	SEAL-ROD, CYLNDR	1
15. 2	CT-LS-1100009	Y-RING	2
15. 3	GB3452. 1-185×3. 55-G	O-RING G TYPE	1
15. 4	GB3452. 1-15. 5×2. 65-G	HYDRAULIC-PNEUMATIC RUBBER O-RING G TYPE	1

CT-LS-1310000

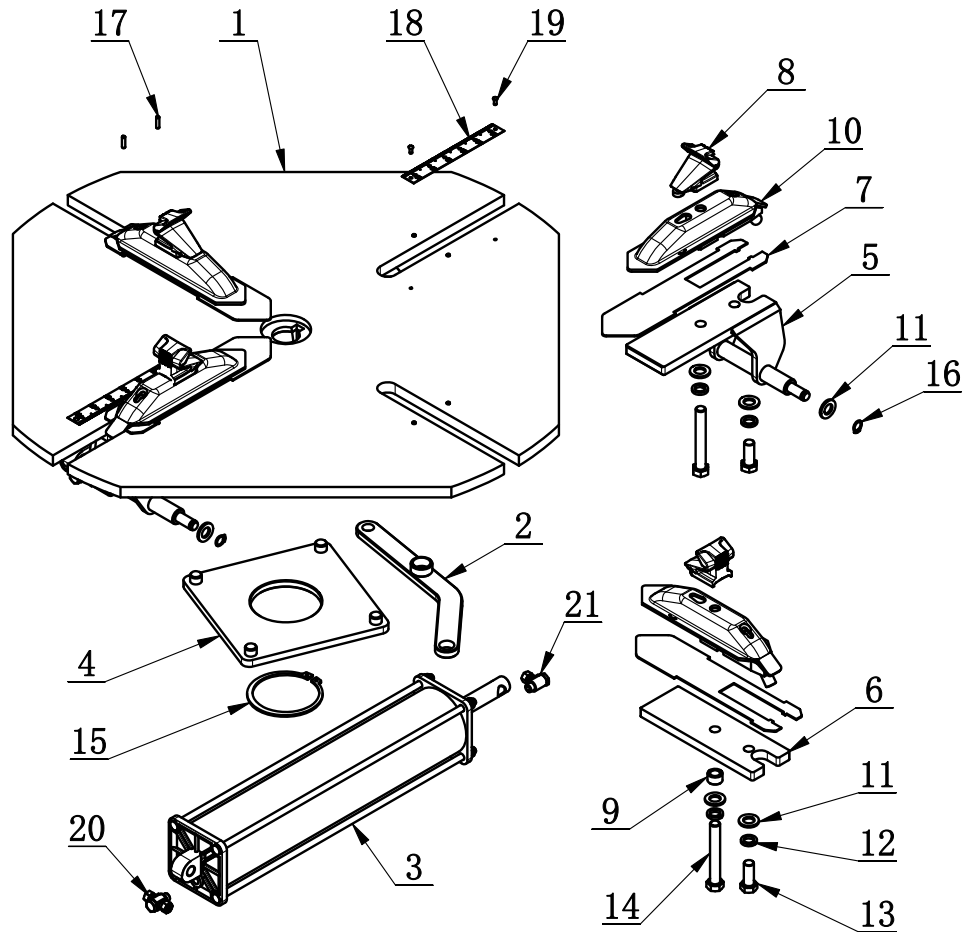


ITEM	PART. No	DESCRIPTION.	QT. Y
1	CT-LS-1310001	LOWER COVER OF QUICK DEFLATE VALVE	1
2	CT-LS-1310002	COVER OF QUICK DEFLATE VALVE	1
3	CT-LS-1310003	PISTON	1
4	CT-LS-1310004	RUBBER WASHER	1
5	CT-LS-1310005	DOUBLE SCREW G1/4	1
6	FPL 8-01	INSERT ELBOW $\Phi 8$, R1/8	1
7	FSK 02	PLASTIC PARTICLE SILENCER	1
8	GB3452. 1-12. 8 \times 2. 65-G	HYDRAULIC-PNEUMATIC RUBBER O-RING G TYPE	1



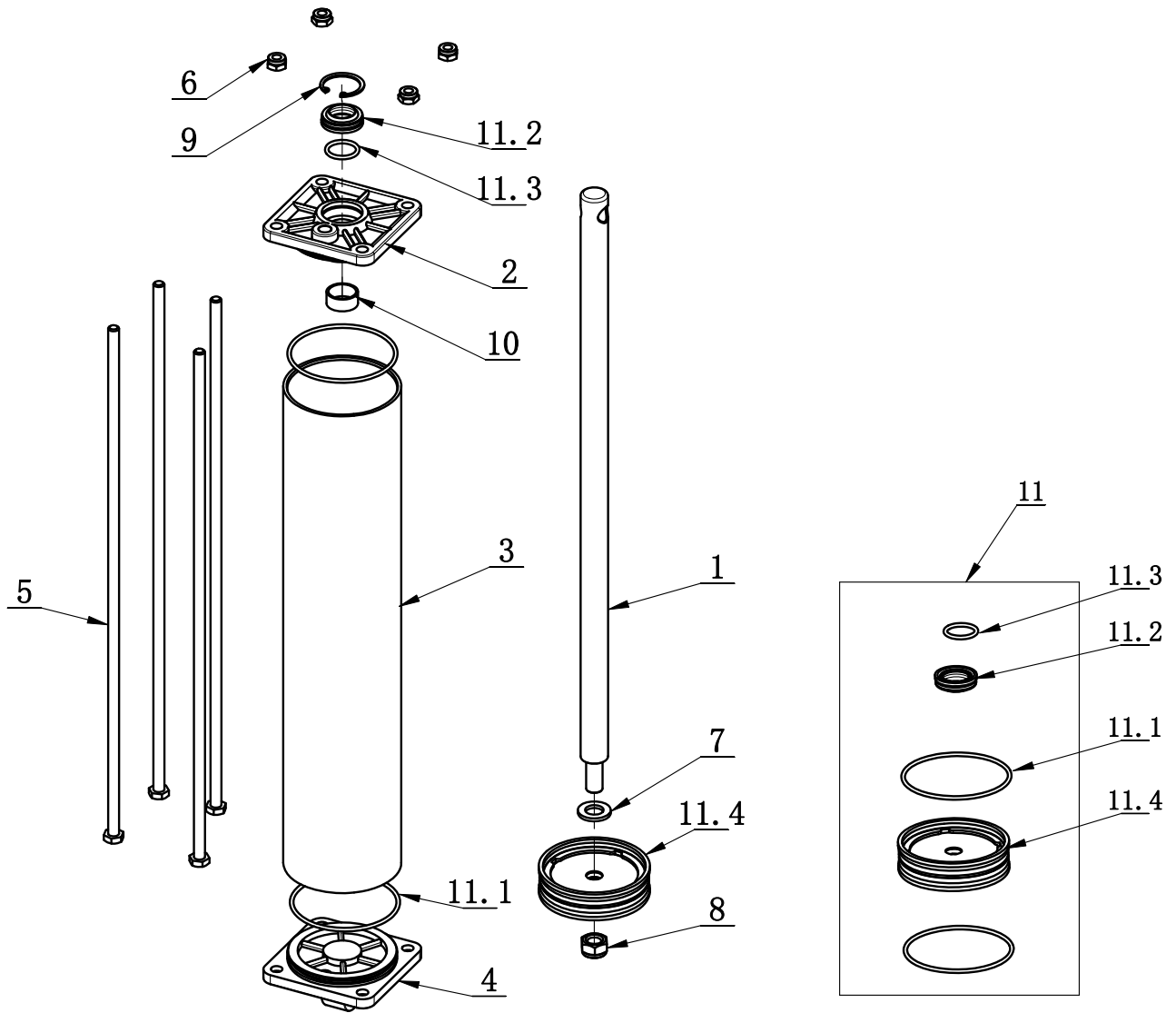
ITEM	PART. No	DESCRIPTION.	QT. Y
1	CT-LS-1310001	LOWER COVER OF QUICK DEFLATE VALVE	1
2	CT-LS-1310002	COVER OF QUICK DEFLATE VALVE	1
3	CT-LS-1310003	PISTON	1
4	CT-LS-1310004	RUBBER WASHER	1
5	CT-K-1100007	FITTING	1
6	FPL 8-01	INSERT ELBOW $\Phi 8$, R1/8	1
7	FSK 02	PLASTIC PARTICLE SILENCER	1
8	GB3452. 1-12. 8 \times 2. 65-G	HYDRAULIC-PNEUMATIC RUBBER O-RING G TYPE	1

CT-Y-7100000



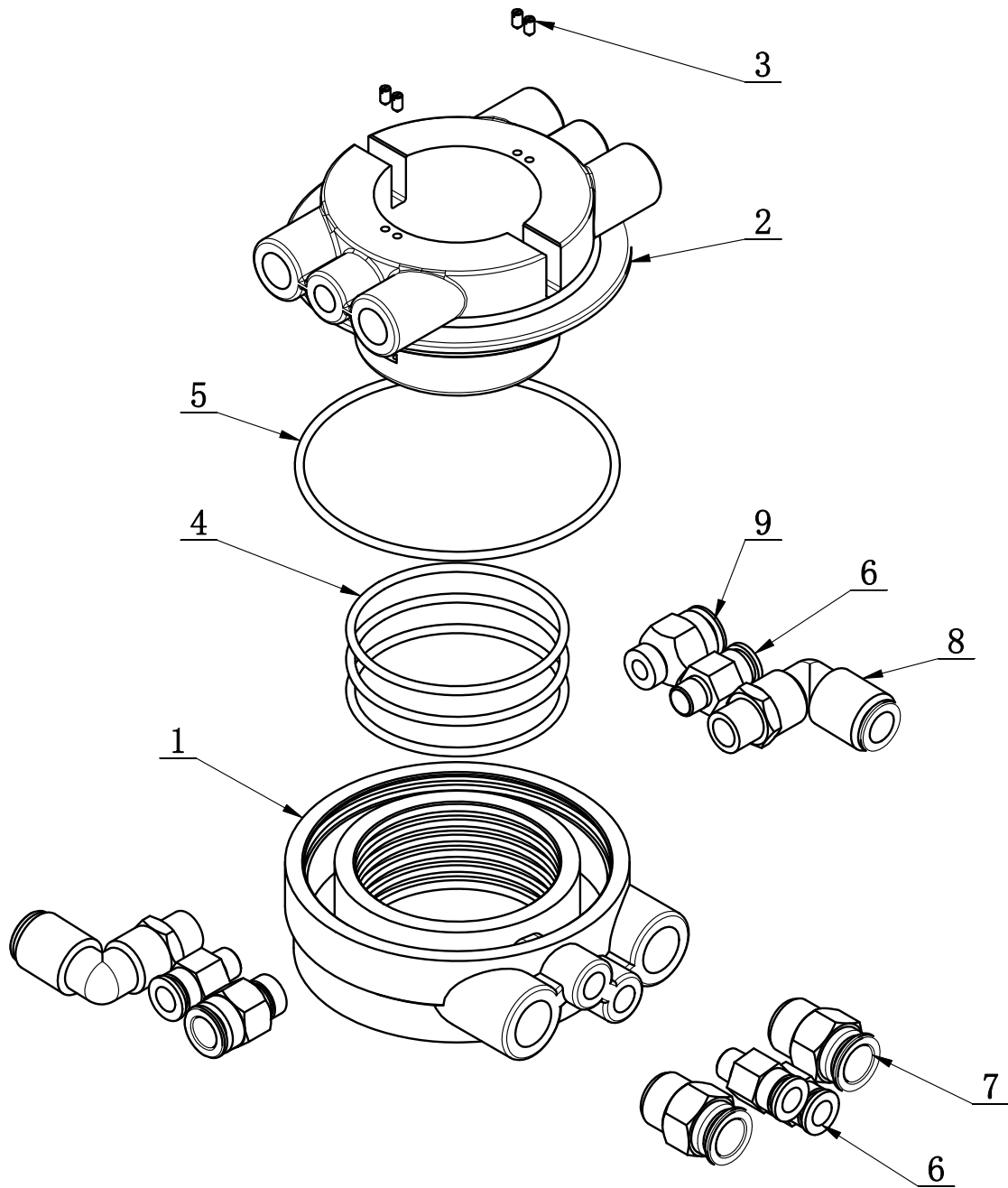
ITEM	PART. No	DESCRIPTION.	QT. Y
1	CT-Y-7110000	TURNTABLE	1
2	CT-Y-7120000	PULLING PLATE	4
3	CT-Y-7130000	CYLINDER ASSEMBLY	2
4	CT-Y-5030000	SQUARE TURNTABLE	1
5	CT-Y-6120000	CYLINDER BRACKET	2
6	CT-Y-6100003	PRESS PLATE	2
7	CT-Y-6100004	WEAR-RESISTANCE SPACER	4
8	CT-Y-0100002	CLAMP	4
9	CT-Y-0100003	SPACER	4
10	CT-Y-0320000	SLIDE COVER	4
11	GB95-12	FLAT WASHER	12
12	GB93-12	STANDARD SPRING WASHER	8
13	GB5783-M12×30	HEXANGULAR BOLT	4
14	GB5782-M12×85	HEXANGULAR BOLT	4
15	GB894.1-85	SHAFT ELATIC BIG RETAINING RING A-TYPE	1
16	GB894.1-12	SHAFT ELATIC BIG RETAINING RING A-TYPE	4
17	GB879.1-4×16	ELASTIC CYLINDRICAL PIN, HEAVY	8
18	CT-Y-7100001	SCALE	2
19	GB827-3×8	LABEL RIVET	4
20	CT-Y-0100008	HINGE ELBOW Φ8 G1/8	2
21	CT-Y-0100006	HINGE ELBOW Φ8 G1/8	2

CT-Y-7130000

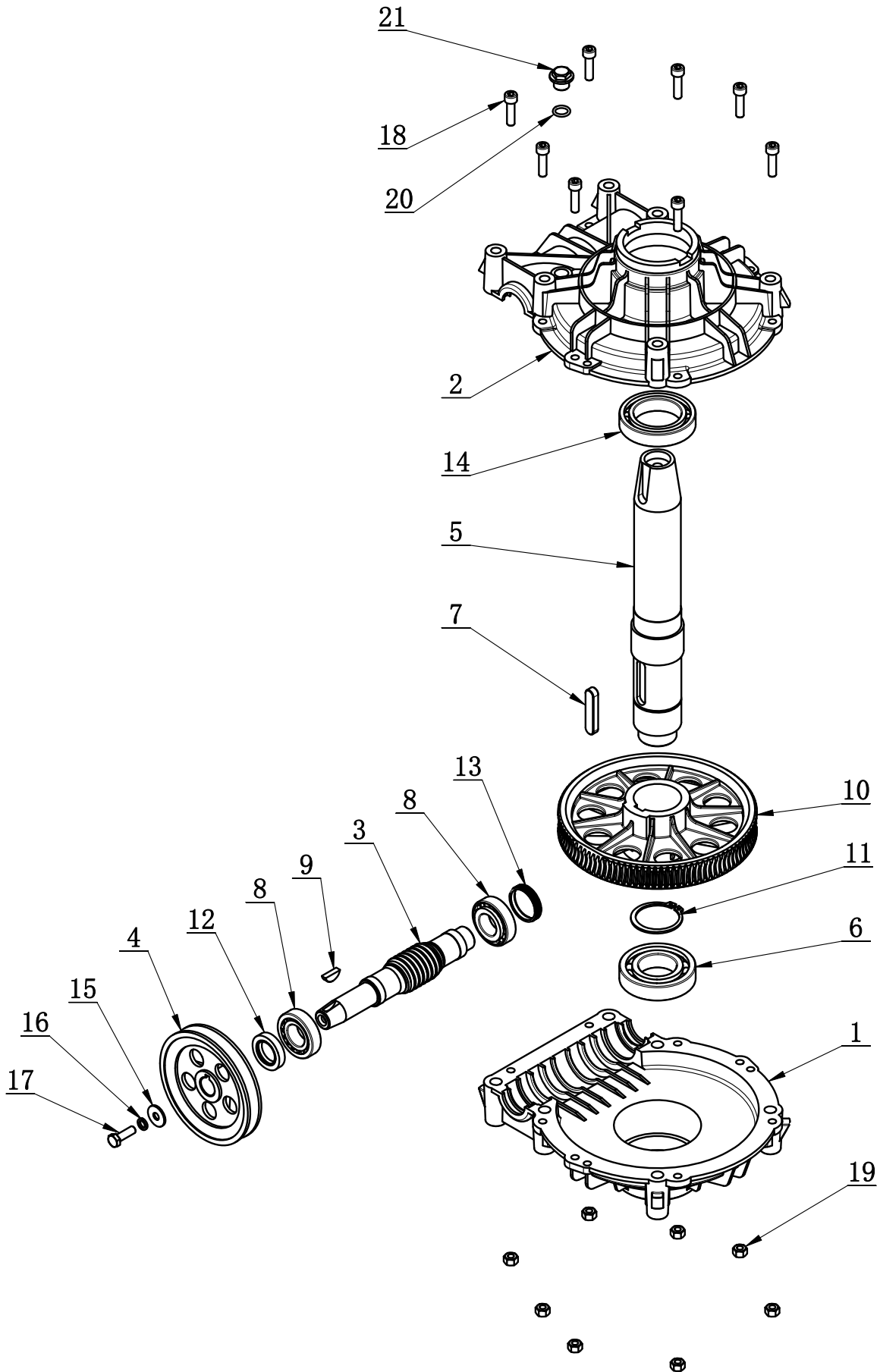


ITEM	PART. No	DESCRIPTION.	QT. Y
1	CT-Y-7300001	SHAFT-CLYNDR	1
2	CT-Y-4120004	CYLINDER FRONT COVER	1
3	CT-Y-5010001	CYLINDER 80MM	1
4	CT-Y-4120005	CAP-BASE, CYLNDR	1
5	CT-Y-5010003	BOLT	4
6	GB889. 1-M8	1-TYPE PREVAILING TORQUE TYPE HEXAGON LOCK NUT	4
7	GB95-12	FLAT WASHER	1
8	GB889. 1-M12	1- TYPE PREVAILING TORQUE TYPE HEXAGON LOCK NUT	1
9	GB893. 1-30	ELASTIC RETAINING RING A-TYPE	1
10	GB12613-23×20×10	BEARING-SLIDE	1
11	CT-Y-4121000	CYLINDER SEALING PARTS ASSEMBLY	1
11.1	GB3452. 1-75×2. 65-G	HYDRAULIC-PNEUMATIC RUBBER O-RING G TYPE	2
11.2	CT-Y-0160007	SEAL-ROD, CYLNDR	1
11.3	GB3452. 1-20×2. 65-G	HYDRAULIC-PNEUMATIC RUBBER O-RING G TYPE	1
11.4	CT-Y-4120006	PISTON	1

CT-Q-4000000

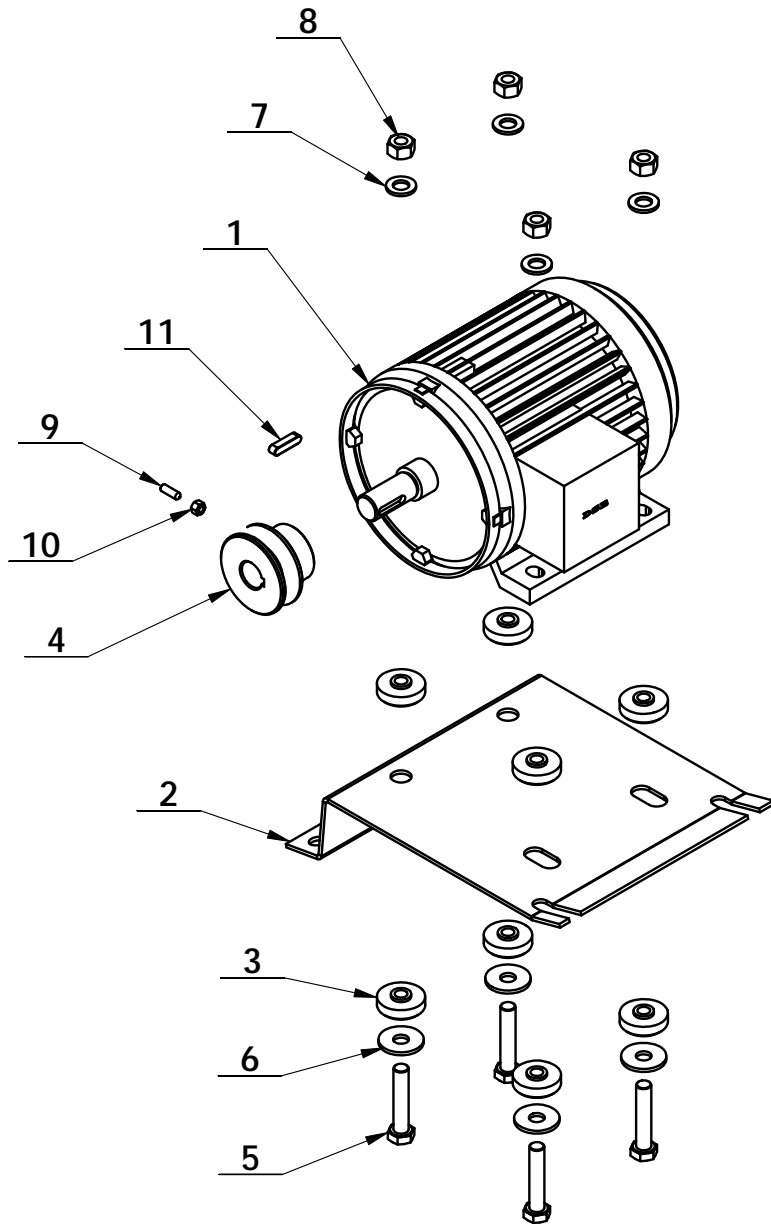


ITEM	PART. No	DESCRIPTION.	QT. Y
1	CT-Q-2000001	FIXED BODY OF AIR GUIDE	1
2	CT-Q-2000002	ROTATING BODY OF AIR GUIDER	1
3	GB71-M3×6	SLOTTED CONIC HEAD SET SCREW	4
4	GB3452. 1-60×2. 65-G	HYDRAULIC-PNEUMATIC RUBBER O-RING G TYPE	3
5	GB3452. 1-90×2. 65-G	HYDRAULIC-PNEUMATIC RUBBER O-RING G TYPE	1
6	FPC 8-01	MALE STRAIGHT	4
7	FPC 12-03	MALE STRAIGHT	2
8	FPL 10-02	MALE ELBOW	2
9	FPC 10-02	MALE STRAIGHT	2

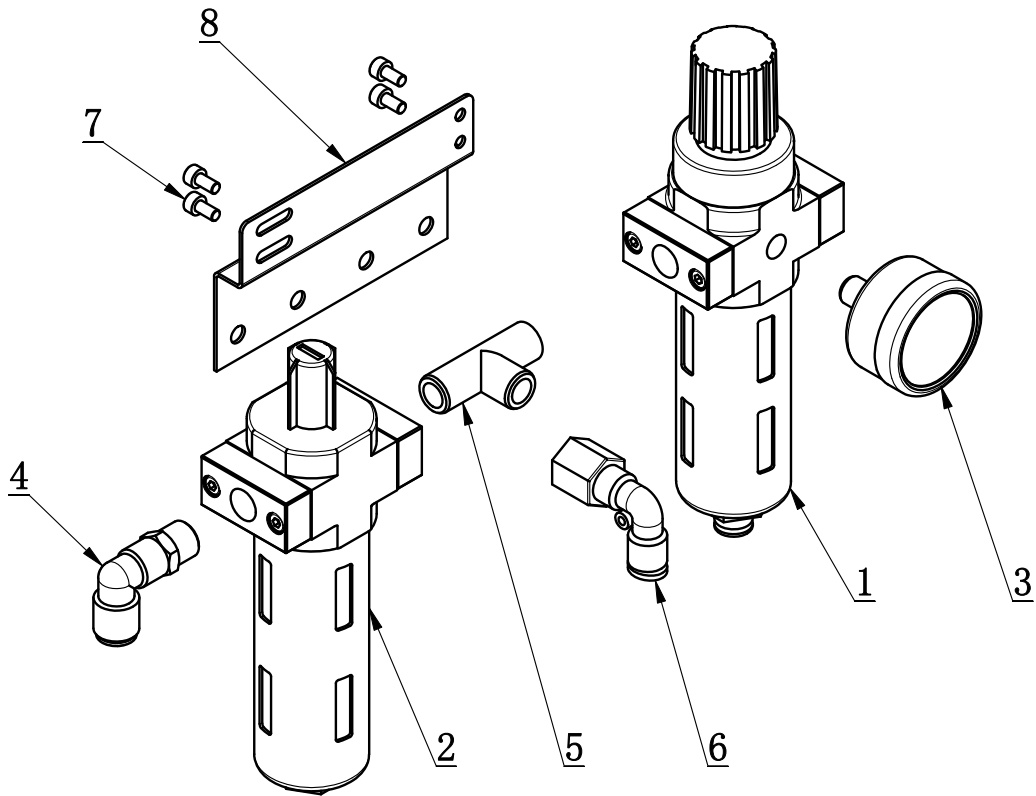


ITEM	PART. No	DESCRIPTION.	QT. Y
1	CT-J-0000005	GEARBOX	1
2	CT-J-0000006	GEARBOX TOP	1
3	CT-J-0000004	WORM ROD	1
4	CT-J-0000008	BELT PULLEY	1
5	CT-J-0000002	WORM SHAFT	1
6	GB276-6208	BEARING	1
7	GB1096-12×8×56	COMMON FLAT KEY	1
8	GB297-30205	BEARING	2
9	GB1099. 1-6×9×22	COMMON SEMI-CIRCULAR KEY	1
10	CT-J-0000003	WORM	1
11	GB894. 1-50	RETAINING RING A-TYPE	1
12	FB25-40 GB13871. 92	SEALED RING	1
13	CT-J-0100000	CAP	1
14	GB276-6010	DEEP GROOVE BALL BEARINGS	1
15	GB96. 2-8	LARGE WASHER C GRADE	1
16	GB93-8	STANDARD SPRING WASHER	1
17	GB5783-M8×25	HEXANGULAR BOLT	1
18	GB70. 1-M8×30	INNER HEXA CYLINDRICAL SCREW	8
19	GB41-M8	HEXANGULAR NUT	8
20	GB3452. 1-13. 2×2. 65-G	HYDRAULIC-PNEUMATIC RUBBER O-RING G TYPE	1
21	TC-10-1400013	BOLT	1

CT-DJ-0344123

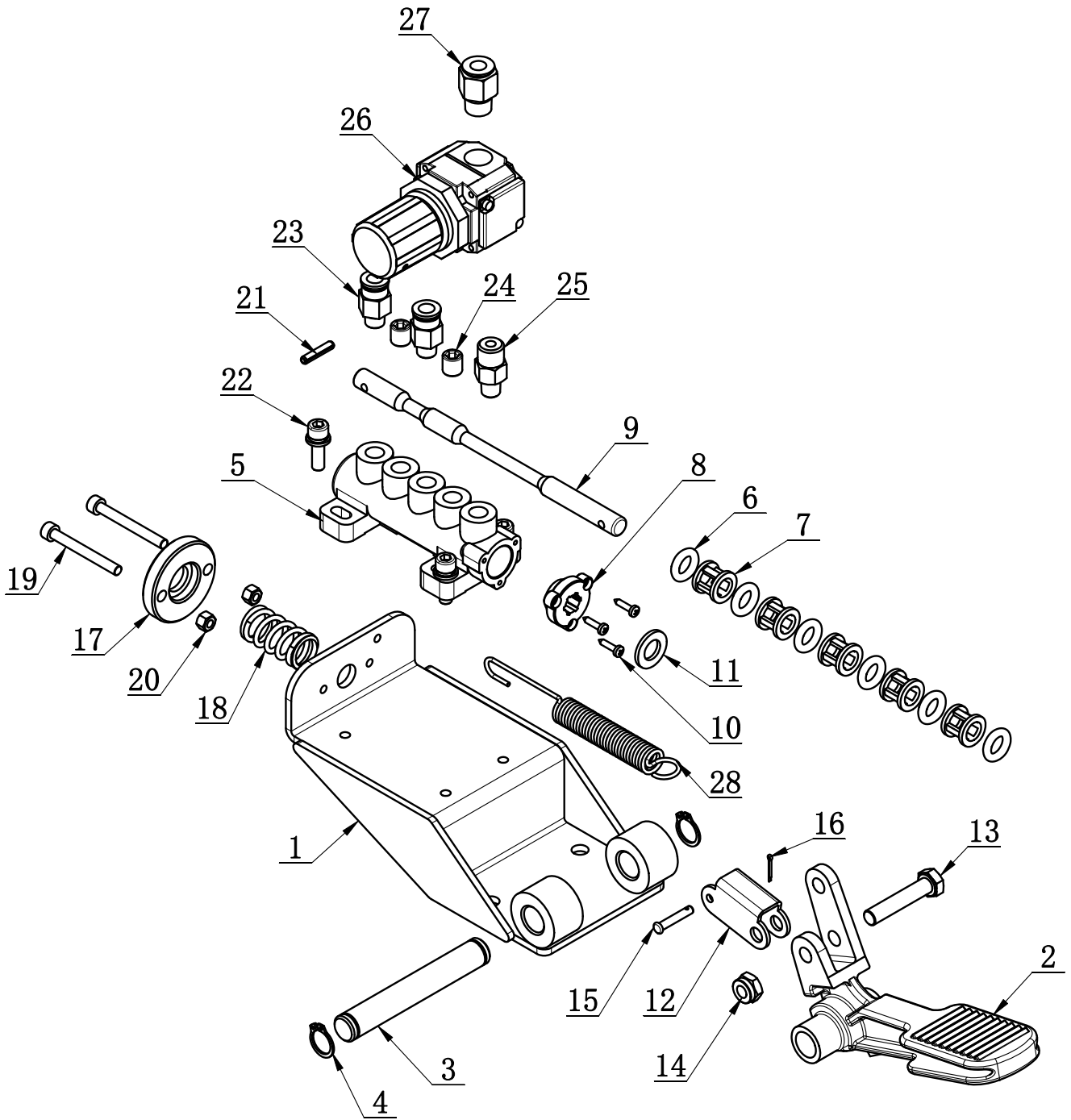


ITEM	PART. No	DESCRIPTION.	QT. Y
1	CT-DJ-0044123	MOTOR(380V, 50Hz, 3P, 0.85-1.1Kw, DOUBLE SPEED)	1
2	CT-DJ-0000001	MOTOR SUPPORT	1
3	CT-DJ-0000002	RUBBER WASHER	8
4	CT-DJ-0000003	MOTOR BELT PULLEY	1
5	GB5783-M10×50	HEXANGULAR BOLT	4
6	GB96. 1-10	LARGE WASHER A GRADE	4
7	GB95-10	FLAT WASHER	4
8	GB41-M10	HEXANGULAR NUT	4
9	GB78-M5×16	INNER HEXA CONIC TERMINUS SET SCREW	1
10	GB41-M5	HEXANGULAR NUT	1
11	GB1096-6×6×25	COMMON FLAT KEY	1



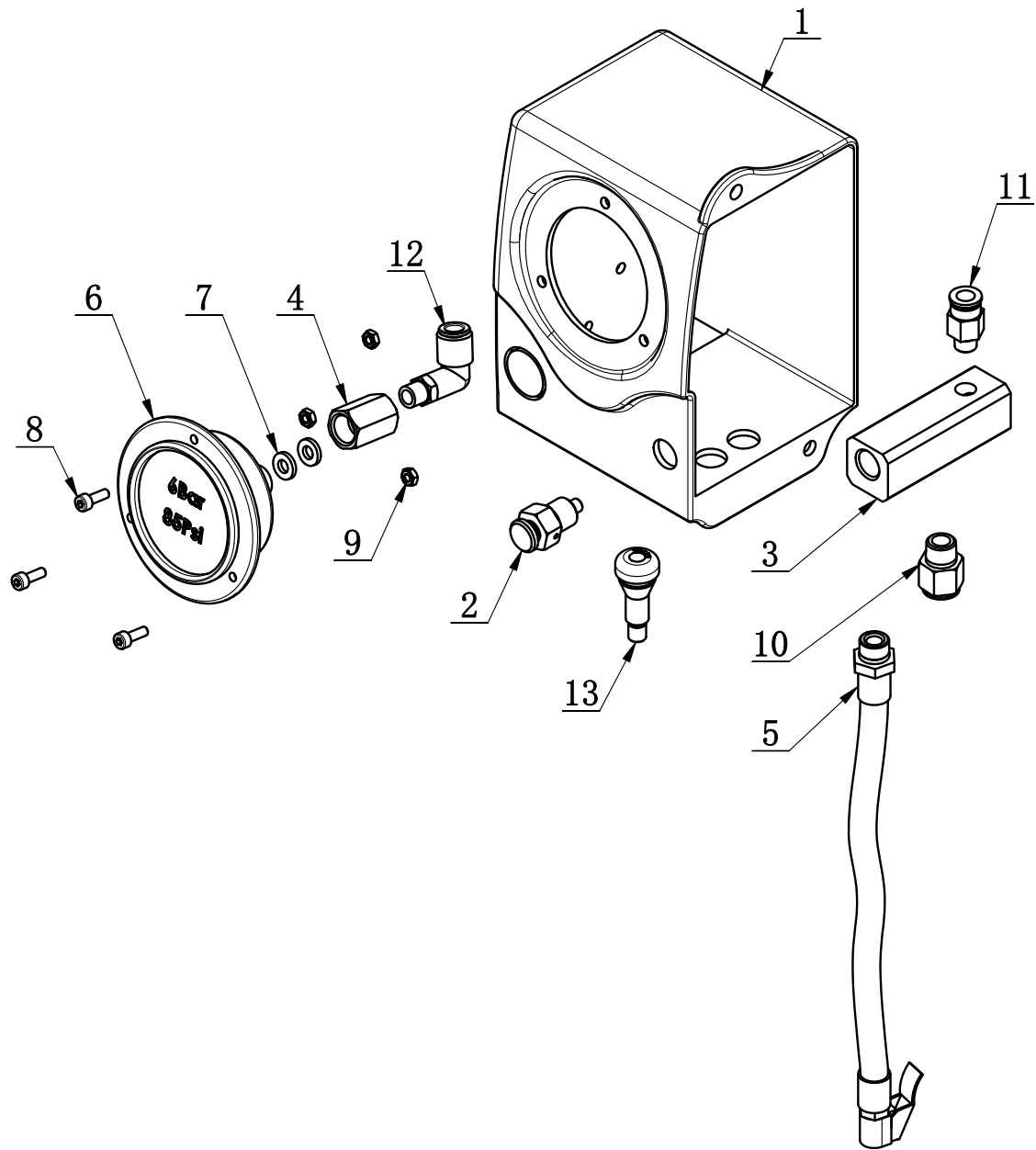
ITEM	PART. No	DESCRIPTION.	QT. Y
1	CT-F-2000010	PRESSURE ADJUST VALVE AND WATER CUP	1
2	CT-F-2000020	OIL CUP	1
3	CT-F-2000003	PRESSURE GAUGE	1
4	FPL 8-02	INSERT ELBOW $\Phi 8$, R1/4	1
5	PEH 02-02	FEMALE UNION TEE	1
6	FPLF8-02	INSERT ELBOW $\phi 8$, R1/4	1
7	GB70. 1-M4×8	INNER HEXA CYLINDRICAL SCREW	4
8	CT-F-2000040	AIR REGULATOR BRACKET	1

CT-K-1C00000



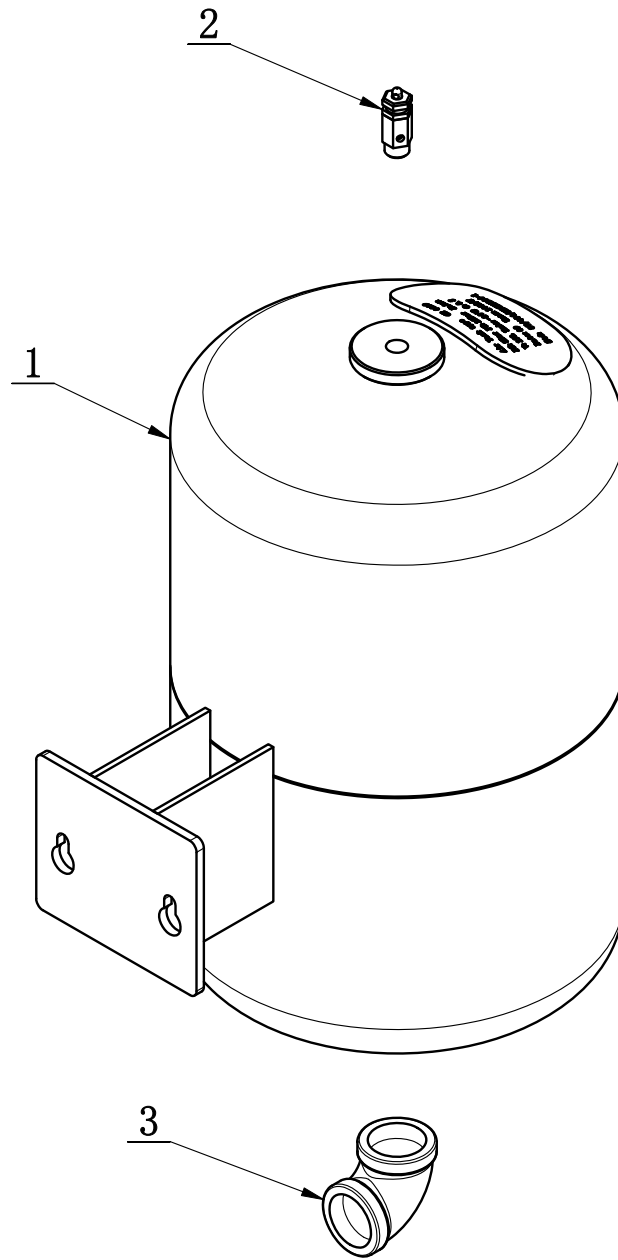
ITEM	PART. No	DESCRIPTION.	QT. Y
1	CT-K-1A10000	PEDAL BRACKET	1
2	CT-D-9100001	PEDAL	1
3	CT-K-1100006	SHAFT	1
4	GB894. 1-14	SHAFT ELATIC BIG RETAINING RING A-TYPE	2
5	CT-D-1110001	VALVE BODY	1
6	CT-K-1100009	O-RING	6
7	CT-D-1110004	SPACER	5
8	CT-D-1110005	VALVE CAP	1
9	CT-K-1A00002	VALVE STEM	1
10	GB845-ST2. 9×13 H C	CROSS PANHEAD TAPPING SCREW	3
11	GB95-10	FLAT WASHER	1
12	CT-D-5100005	CONNECTION PART	1
13	GB5783-M8×40	HEXANGULAR BOLT	1
14	GB889. 1-M8	1-TYPE PREVAILING TORQUE TYPE HEXAGON LOCK NUT	1
15	GB882-4×22	PIN SHAFT	1
16	GB91-1. 6×10	SLOTTED PIN	1
17	CT-K-1100002	MOVABLE PLATE	1
18	CT-K-1100003	SPRING	1
19	GB70. 1-M5×45	INNER HEXA CYLINDRICAL SCREW	2
20	GB41-M5	HEXANGULAR NUT	2
21	GB879. 1-4×20	ELASTIC CYLINDRICAL PIN, HEAVY	1
22	GB9074-M6×20	COMBINATION SCREW	3
23	FPC 8-01	MALE STRAIGHT	2
24	JB / ZQ4447-1997-G1 / 8×10	SCREWS PLUG G1/8×10	2
25	CT-K-1100007	FITTING	1
26	AR20-01	PRESSURE ADJUST VALVE	1
27	FPC 8-02	MALE STRAIGHT	1
28	CT-K-1A00001	SPRING	1

CT-K-3200000



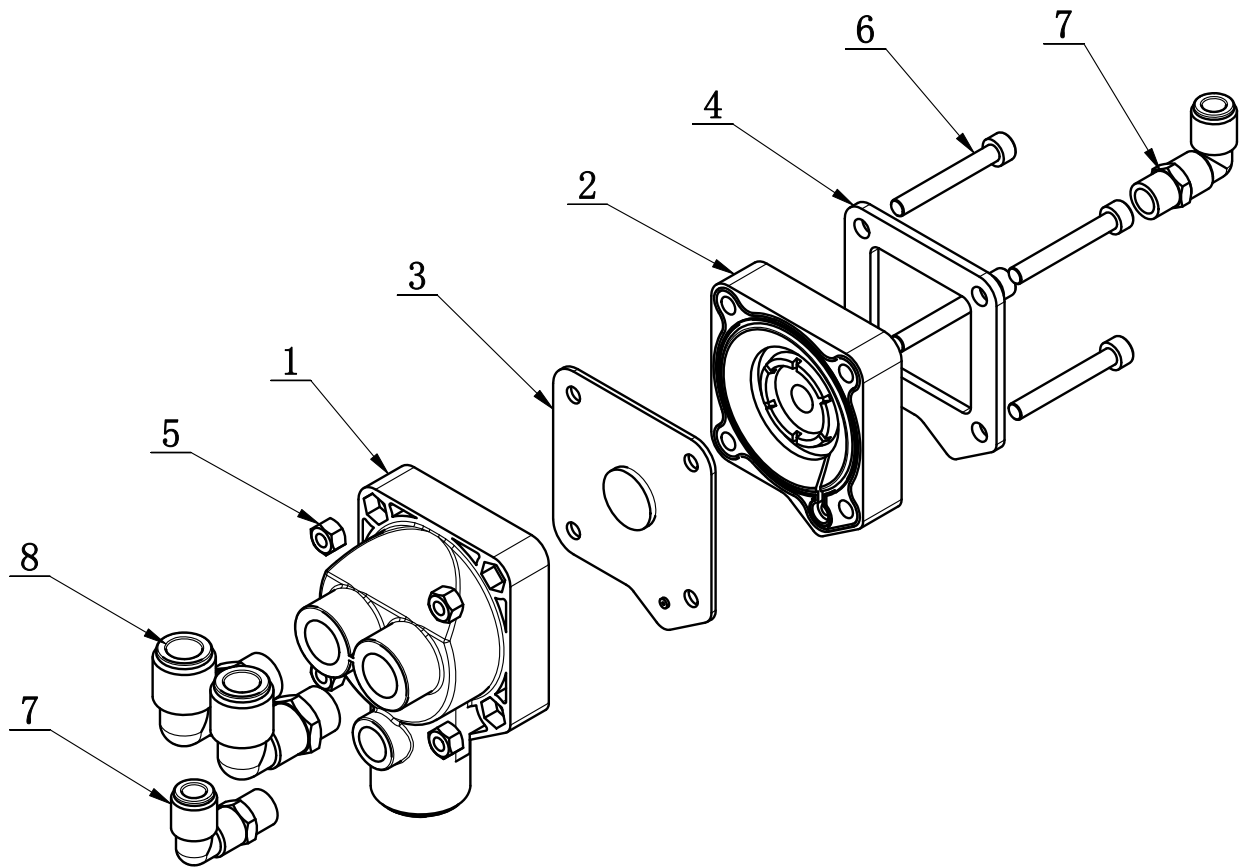
ITEM	PART. No	DESCRIPTION.	QT. Y
1	CT-K-3100001	PRESSURE GAUGE COVER	1
2	CT-K-3110000	EXHAUST VALVE ASSEMBLY	1
3	CT-K-3120000	AIR DISTRIBUTING VALVE	1
4	CT-K-3100002	CONNECT NUT	1
5	CT-K-3100003	INFLATING HOSE	1
6	CT-K-3100004	PRESSURE GAUGE	1
7	TC-10-1620003	AIR REGULATOR WASHER	2
8	GB70.1-M4×12	INNER HEXA CYLINDRICAL SCREW	3
9	GB6170-M4	HEXANGULAR NUT 1-TYPE	3
10	FPC 8-02	MALE STRAIGHT	1
11	FPC 8-01	MALE STRAIGHT	1
12	FPL 8-01	INSERT ELBOW Φ8, R1/8	1
13	CT-K-3100006	AIR VALVE	1

CT-K-4200000



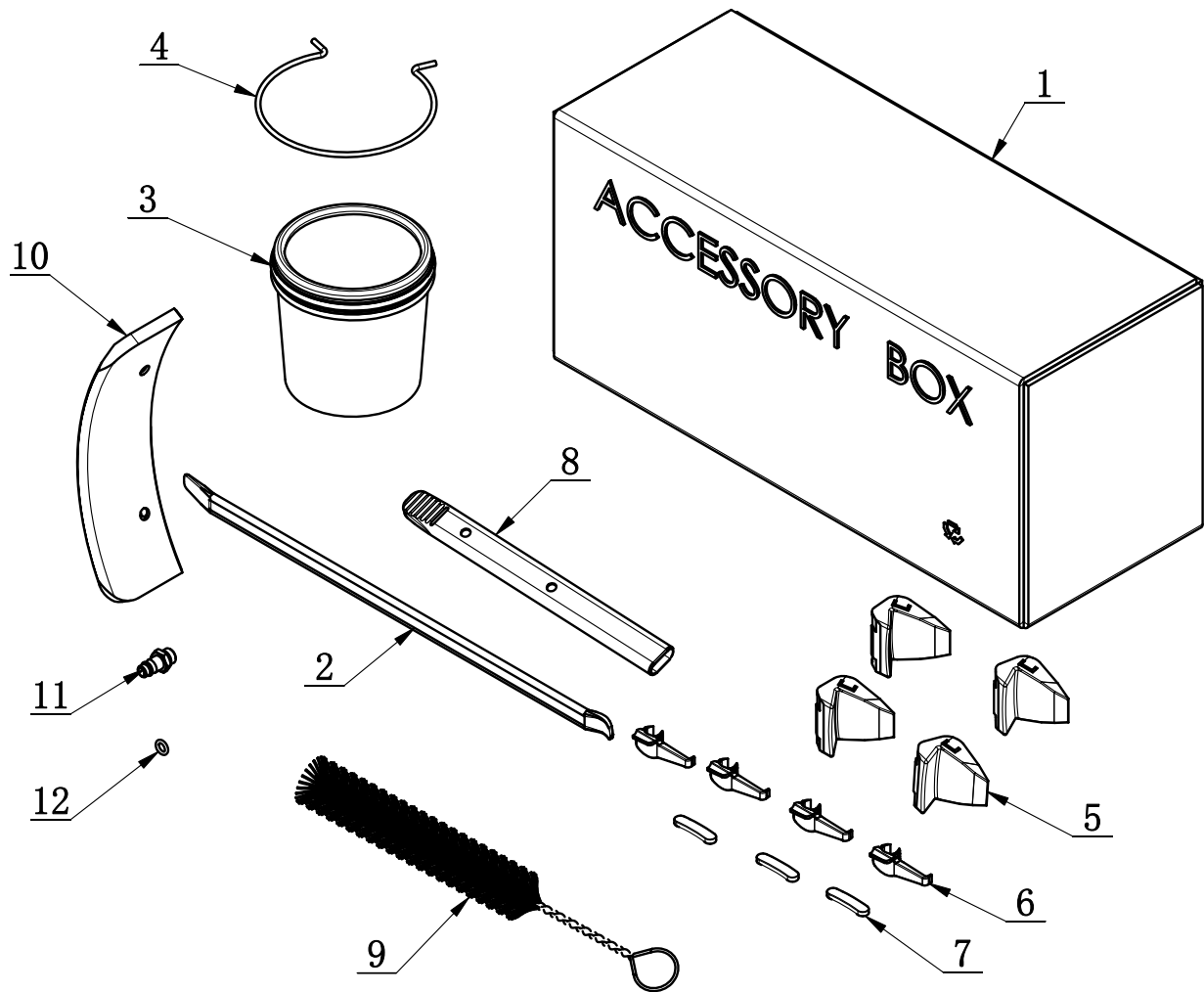
ITEM	PART. No	DESCRIPTION.	QT. Y
1	CT-K-4210000	AIR TANK	1
2	CT-K-4100001	SAFE VALVE	1
3	WT-1-G	ELBOW R1	1

CT-K-2200000



ITEM	PART. No	DESCRIPTION.	QT. Y
1	CT-K-2200002	BOTTOM COVER	1
2	CT-K-2200001	UPPER COVER	1
3	CT-K-2210000	PANEL	1
4	CT-K-2200003	WASHER	1
5	GB41-M6	HEXANGULAR NUT	4
6	GB70. 1-M6×45	INNER HEXA CYLINDRICAL SCREW	4
7	FPL 8-02	INSERT ELBOW Φ8, R1/4	2
8	FPL 12-03	INSERT ELBOW Φ12, R3/8	2

C-90-8000000-002



ITEM	PART. No	DESCRIPTION.	QT. Y
1	C-54-8000002	ACCESSORY BOX	1
2	C-54-8000003	20INCH CROWBAR	1
3	C-54-8100000	GREASE CONTAINER	1
4	C-54-8000004	BRACKET	1
5	C-54-8000005	CLAMP PROTECTION COVER	4
6	C-54-1300014	SHEATH	4
7	C-54-8000007	TOOL HEAF TAIL WASHER	3
8	C-54-8000019	CROWBAR JACKET	1
9	C-54-8000014	LUBE BRUSH	1
10	C-90-1000013	BEAD BREAKER BLADE COVER	1
11	C-62-0000001	SOURCE CONNECT	1
12	GB3452. 1-8×2. 65-A	HYDRAULIC-PNEUMATIC RUBBER O-RING A TYPE	1