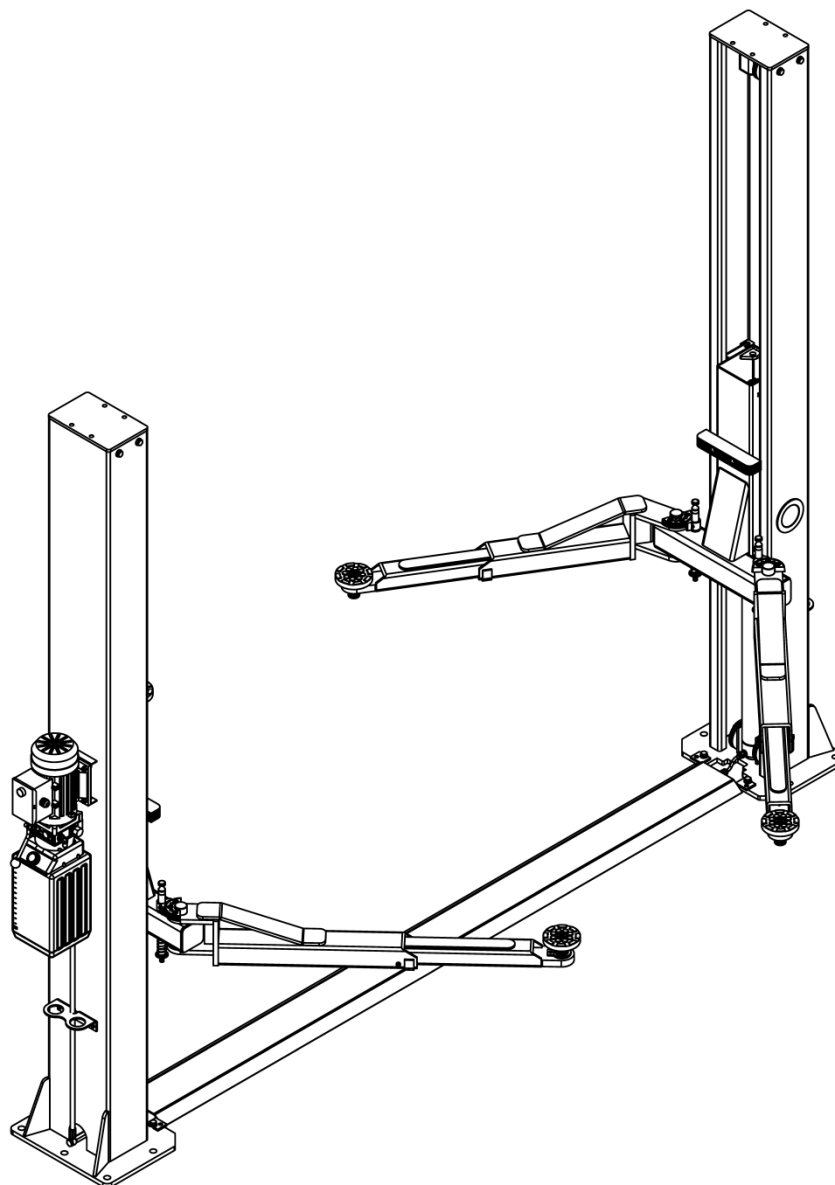
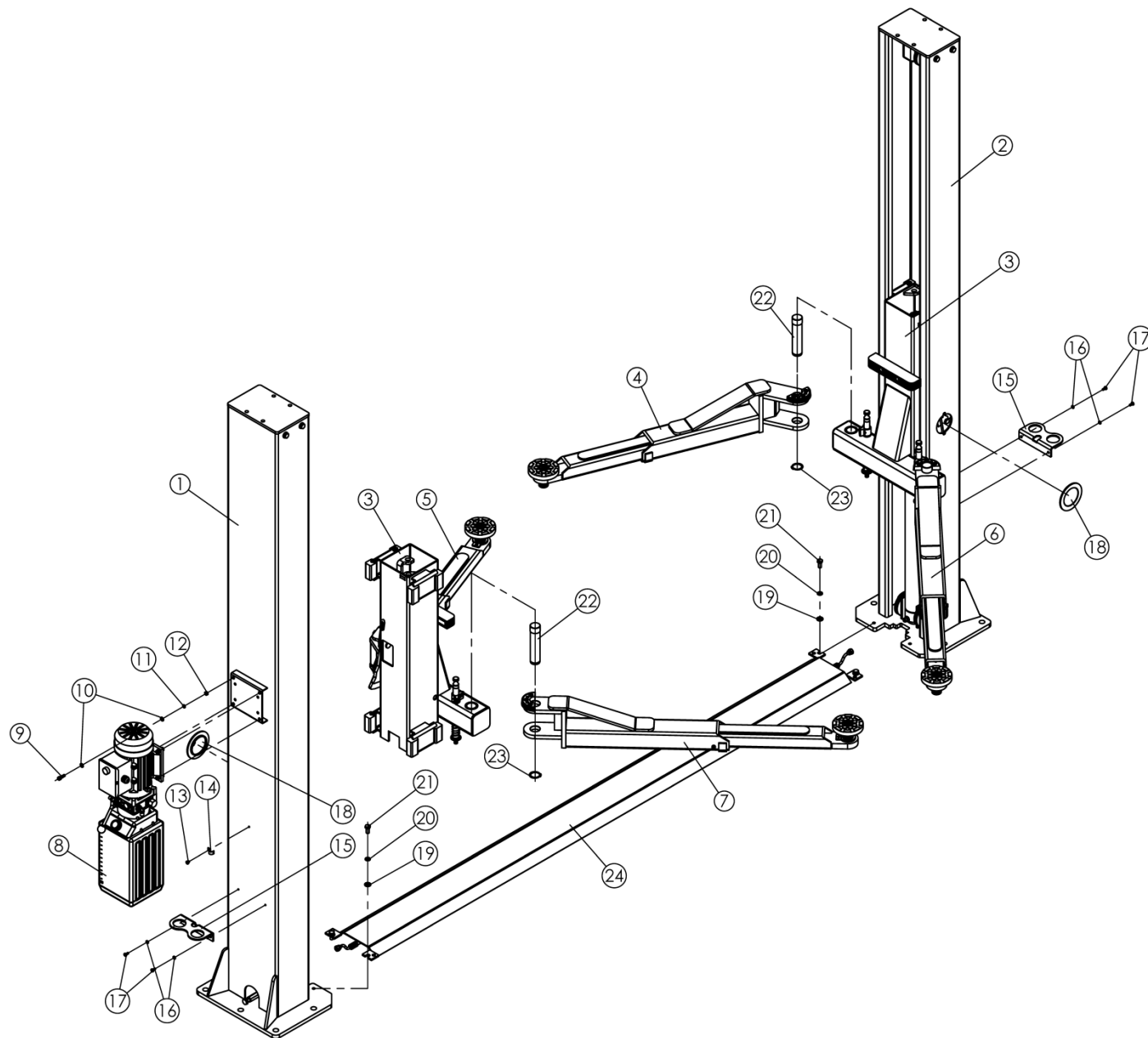




ED. 09/2024

PARTCATALOGUE
BN-2.40EM/T4
TWO POST LIFT

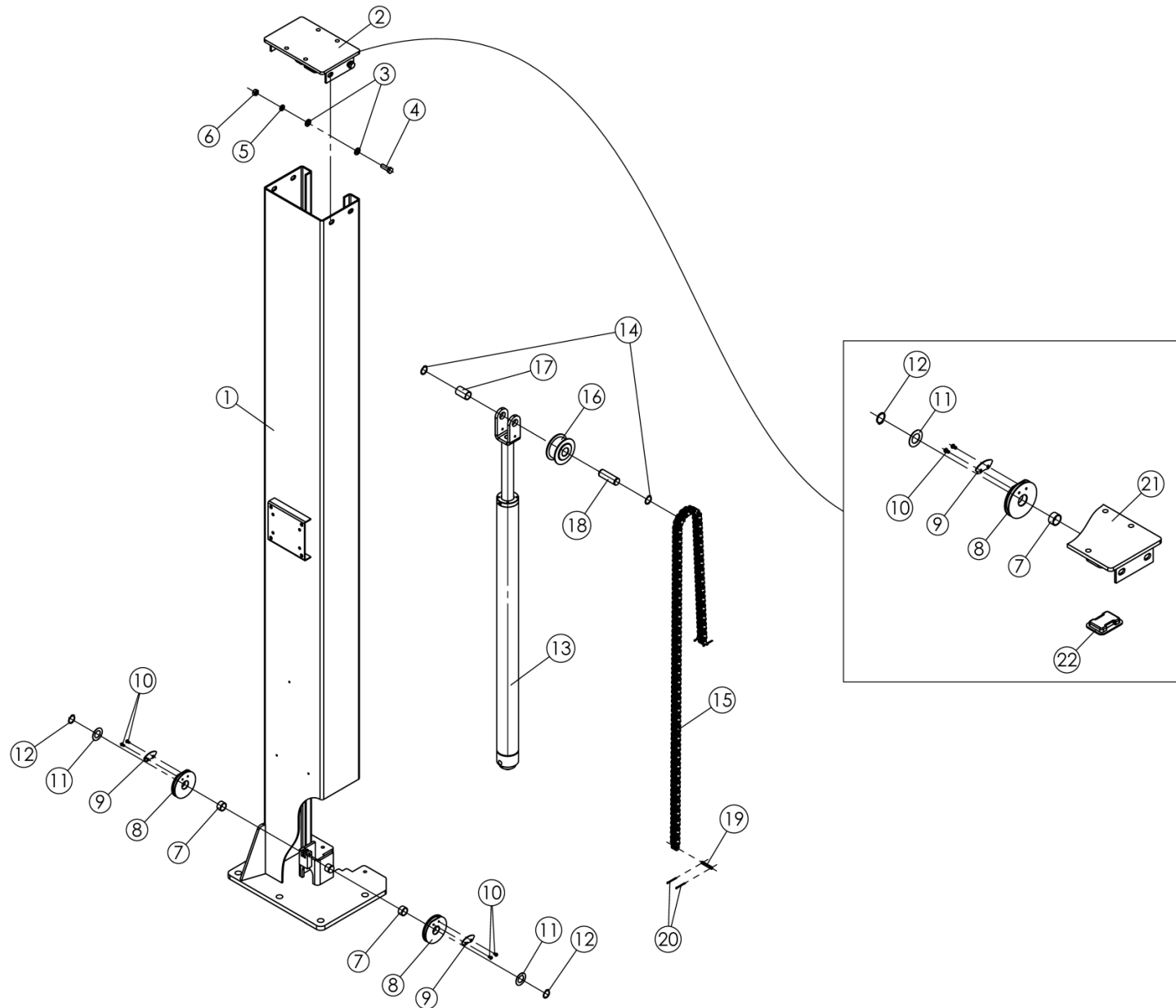




BN-2. 40EM-0 Assembling Explosion Drawing List

No	Item	Name	Size	Qty	Remark
1	BN-2. 40EM-A-1000-00A	Main Column Assembling	360*450*2826	1	explosion drawing
2	BN-2. 40EM-A-1000-00B	Slave Column Assembling	360*450*2826	1	explosion drawing
3	BN-2. 40EM-A-2000-00	Carriage	60*2123*304	2	explosion drawing
4	BN-2. 40EM-C-3000-00B	Bend Arm 705-1045 Left Assembling	704-1045	1	explosion drawing
5	BN-2. 40EM-C-3000-00A	Bend Arm 705-1045 Right Assembling	704-1045	1	explosion drawing
6	BN-2. 40EM-C-3000-00C	Straight Arm 828-1228 Right Assembling	828-1228	1	explosion drawing
7	BN-2. 40EM-C-3000-00D	Straight Arm 828-1228 Left Assembling	828-1228	1	explosion drawing
8	Non	Hydraulic System		1	explosion drawing
9	Non	Allen Bolt	M8*25	4	galvanization
10	Non	Flat Gasket	M8	8	galvanization
11	Non	Spring Washer	M8	4	galvanization
12	Non	Nut	M8	4	galvanization
13	Non	Phillips Head Screw	M6*8	1	galvanization
14	BN-2. 40EM-A-1000-05	Oil Hose Ring	13*14.5*32	1	galvanization
15	BN-2. 40EM-A-1000-06	Extension Adapter Shelf	90*42*176	2	painting
16	Non	Flat Gasket	M6	4	galvanization
17	Non	Phillips Head Screw	M6*14	4	galvanization
18	BN-2. 40EM-A-1000-04	Column Cover	Ø117.5*13	2	
19	Non	Flat Gasket	M12	4	galvanization
20	Non	Spring Washer	M12	4	galvanization
21	Non	Hex Head Bolt	M12*25	4	galvanization
22	BN-2. 40EM-A-3000-05	Arm Pin	Ø38*175	4	galvanization
23	Non	CirClip	Ø38	4	blackening
24	BN-2. 40EM-A-4000-01-00	Base Plate Cover	34*220*2705	1	painting

BN-2. 40EM-1	Main Column Assembling Explosion Drawing List	ED. 09 / 2024
--------------	--	---------------



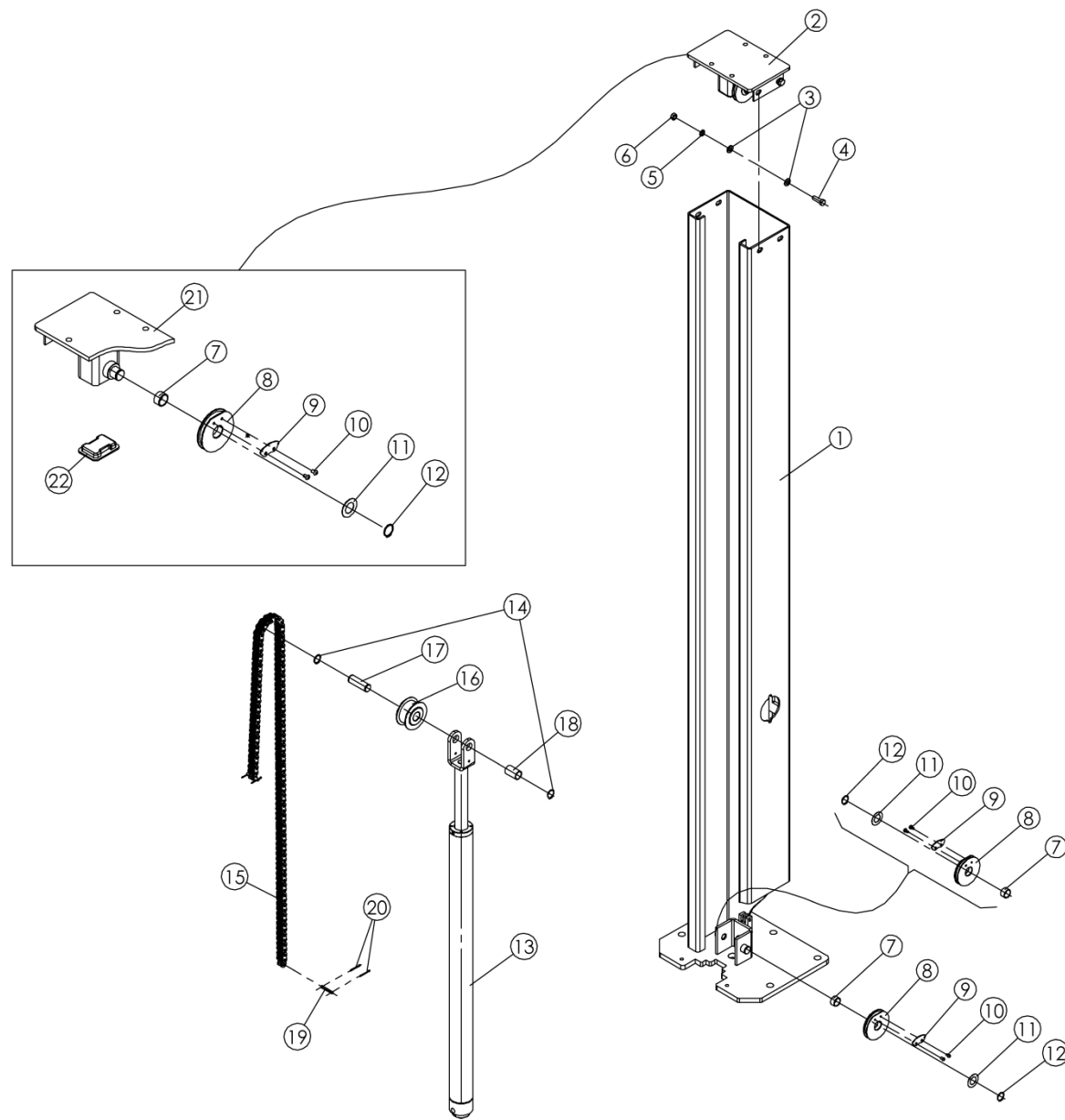
BN-
1 Main

2. 40EM-
Column

Assembling Explosion Drawing List

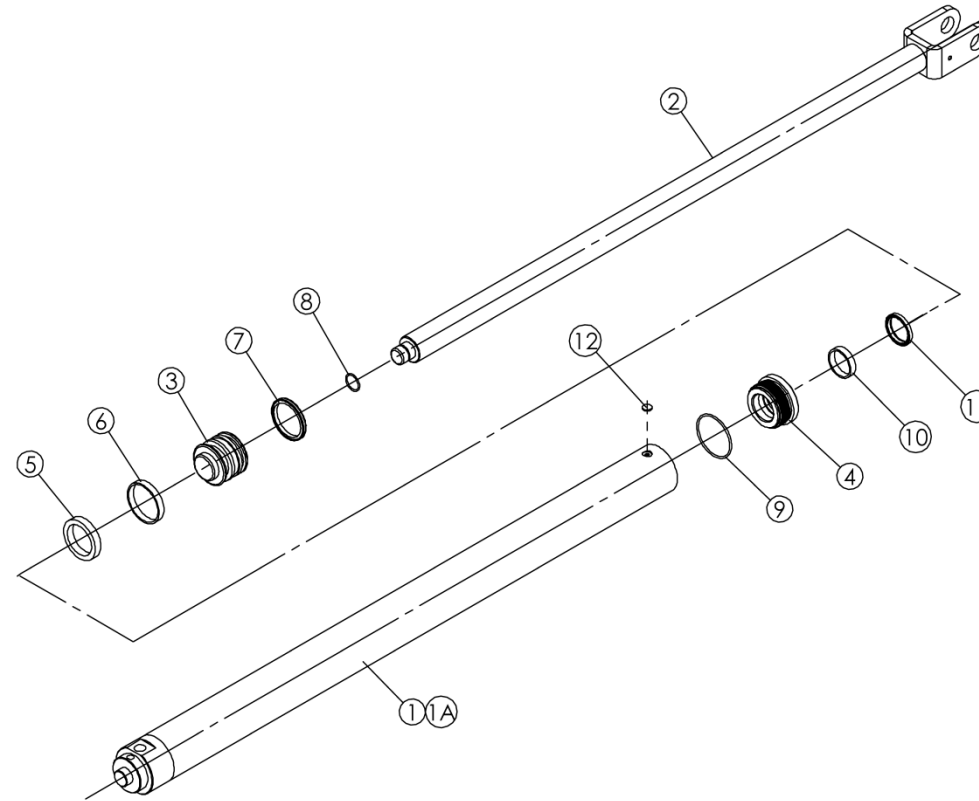
No	Item	Name	Size	Qty	Remark
1	BN-2.40EM-A-1000-01-00	Main Column Welding	360*450*2816	1	painting
2	BN-2.40EM-A-1000-03-00A	Column Cover Assembling	183*280*113	1	explosion drawing
3	Non	Flat Gasket	M12	8	galvanization
4	Non	Hex Head Bolt	M12*35	4	galvanization
5	Non	Spring Washer	M12	4	galvanization
6	Non	Nut	M12	4	galvanization
7	Non	Bearing	SF-2, 2515	3	galvanization
8	BN-2.40EM-A-1000-03-03	Steel Rope Wheel	∅98*15	3	galvanization
9	BN-2.40EM-A-1000-03-05	Wheel Protection Cover	27.41*57.19*2	3	galvanization
10	Non	Allen Bolt	M6*10	6	galvanization
11	BN-2.40EM-A-1000-03-04	Wheel Gasket	∅45*1	3	galvanization
12	Non	Circlip	∅30	3	blackening
13	BN-2.40EM-A-5000-01	Main Cylinder-two holes	1200*920	1	assembly
14	Non	Circlip	∅25	2	blackening
15	BN-2.40EM-A-6000-01	Chain	644, 119pcs	1	
16	BN-2.40EM-A-5000-03	Cylinder Chain Wheel	∅94*45	1	galvanization
17	Non	Bearing	SF-2545	1	
18	BN-2.40EM-A-5000-04	Chain Wheel Pin	∅25*76	1	galvanization
19	BN-2.40EM-A-6000-01A	Chain Pin	∅7.8*55	2	galvanization
20	Non	Pin	∅2.5*35	4	galvanization
21	BN-2.40EM-A-1000-03-01-00	Column Cover Welding	183*280*94	1	painting
22	BN-2.40EM-A-1000-03-02	Top Plastic Cover	60*80*14	1	

BN-2.40EM-2	Slave Column Assembling Explosion Drawing List	ED. 09 / 2024
-------------	--	---------------



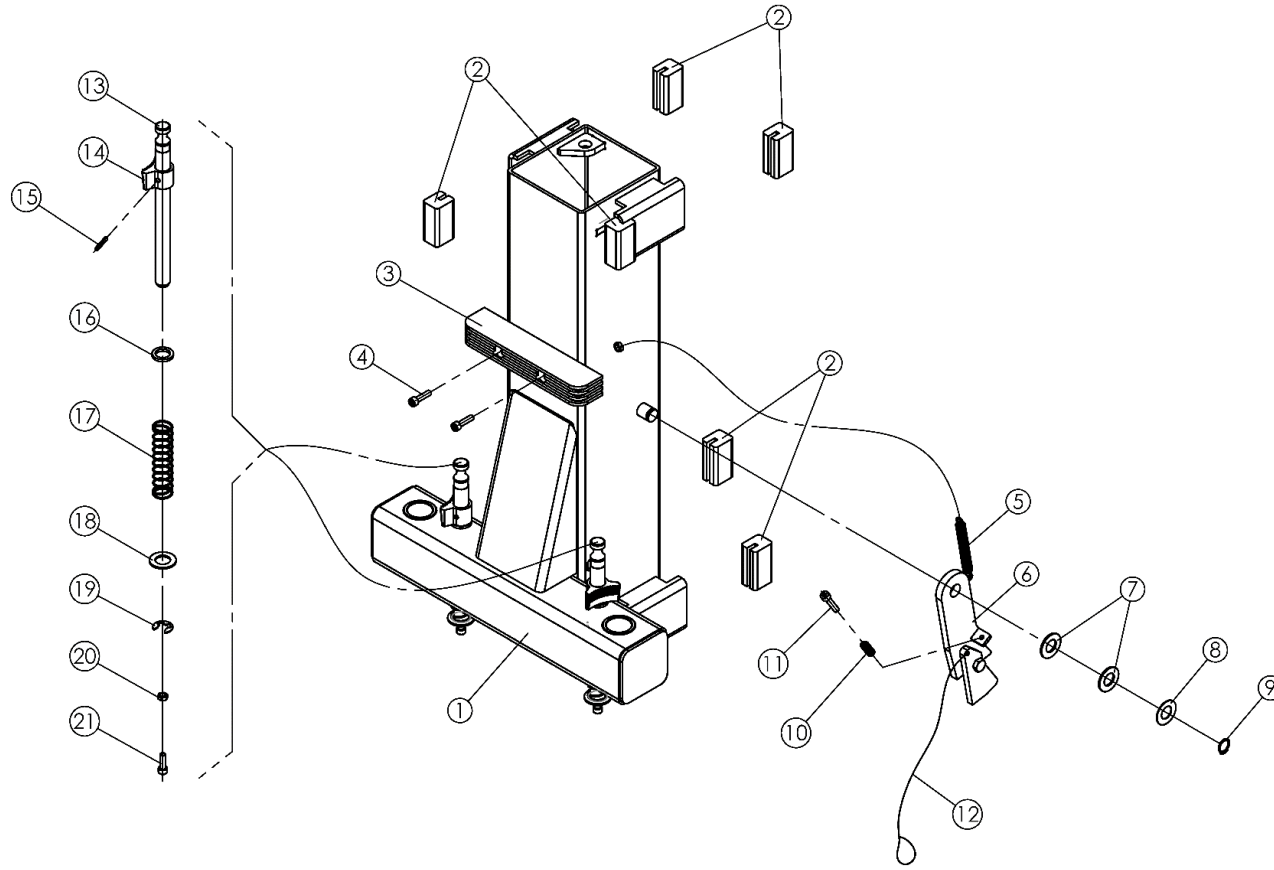
BN-2.40EM-2 Slave Column Assembling Explosion Drawing List

No	Item	Name	Size	Qty	Remark
1	BN-2.40EM-A-1000-02-00	Slave Column Welding	360*450*2816	1	painting
2	BN-2.40EM-A-1000-03-00A	Column Cover Assembling	183*280*113	1	explosion drawing
3	Non	Flat Gasket	M12	8	galvanization
4	Non	Hex Head Bolt	M12*35	4	galvanization
5	Non	Spring Washer	M12	4	galvanization
6	Non	Nut	M12	4	galvanization
7	Non	Oilness Bearing	SF-2, 2515	3	galvanization
8	BN-2.40EM-A-1000-03-03	Steel Rope Wheel	∅98*15	3	galvanization
9	BN-2.40EM-A-1000-03-05	Wheel Protection Cover	27.41*57.19*2	3	galvanization
10	Non	Allen Bolt	M6*10	6	galvanization
11	BN-2.40EM-A-1000-03-04	Wheel Gasket	∅45*1	3	galvanization
12	Non	Criclip	∅30	3	blackening
13	BN-2.40EM-A-5000-02	Slave Cyliner-one hole	1200*920	1	assembly
14	Non	Criclip	∅25	2	blackening
15	BN-2.40EM-A-6000-01	Chain	644, 119pcs	1	
16	BN-2.40EM-A-5000-03	Chain Wheel	∅94*45	1	galvanization
17	Non	Bearing	SF-2545	1	
18	BN-2.40EM-A-5000-04	Chain Wheel Pin	∅25*76	1	galvanization
19	BN-2.40EM-A-6000-01A	Chain Pin	∅7.8*55	2	galvanization
20	Non	Pin	∅2.5*35	4	galvanization
21	BN-2.40EM-A-1000-03-01-00	Column Cover Welding	183*280*94	1	painting
22	BN-2.40EM-A-1000-03-02	Top Plastic Cover	60*80*14	1	



No	Item	Name	Size	Qty	Remark
1	BN-2. 40EM-A-5000-01-01	Main Cylinder Steel Drum Welding-two holes	∅73*1067	1	
1A	BN-2. 40EM-A-5000-02-01	Slave Cylinder Steel Drum Welding-one hole	∅73*1067	1	
2	BN-2. 40EM-A-5000-01-02	Piston Rod Welding	50*1140*69	1	
3	BN-2. 40EM-A-5000-01-03	Cylinder Piston	φ 62.5*57	1	
4	BN-2. 40EM-A-2000-02-04	Cylinder Cover	φ 73*35	1	
5	Non	Cylinder Seals	D63*48*11	1	
6	Non	Piston Support Ring	d58*63*9.7	1	
7	Non	Y Ring	d53*63*6	1	
8	Non	Criclip	φ 27.5*2	1	

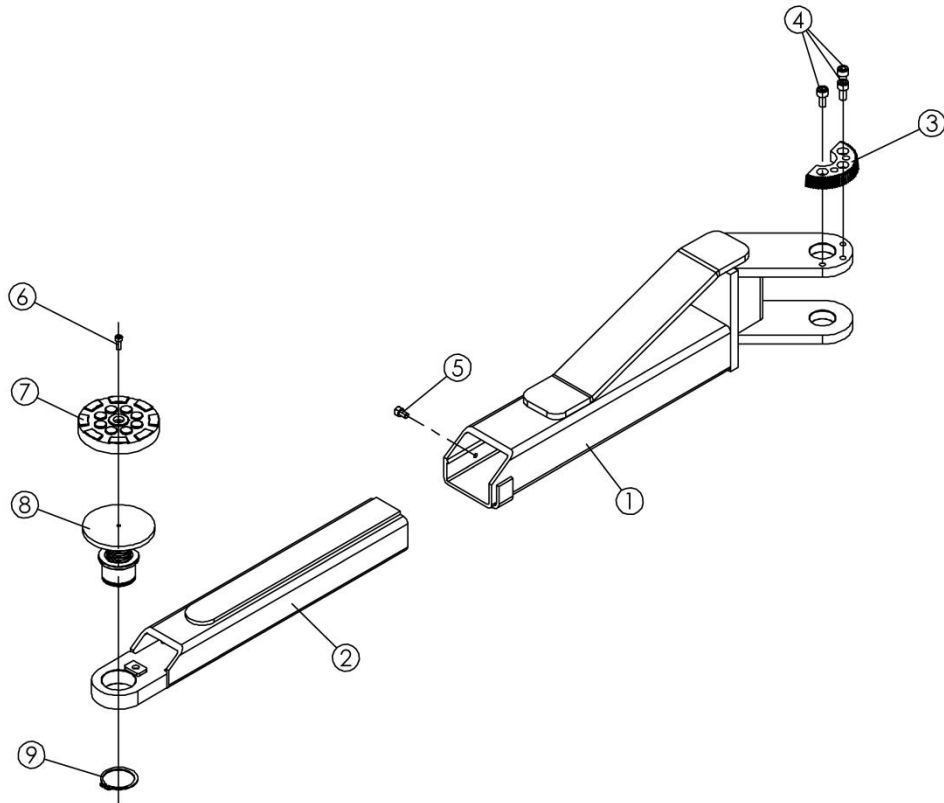
9	Non	O Ring	d63*2.65	1
10	Non	Guide Support Ring	d40*45*9.7	1
11	Non	FC-40 Dust Ring	d40*43*48*5	1
12	Non	Filter Screen	φ 14*2	1



BN-2. 40EM-3 Carriage Assembling Explosion Drawing List

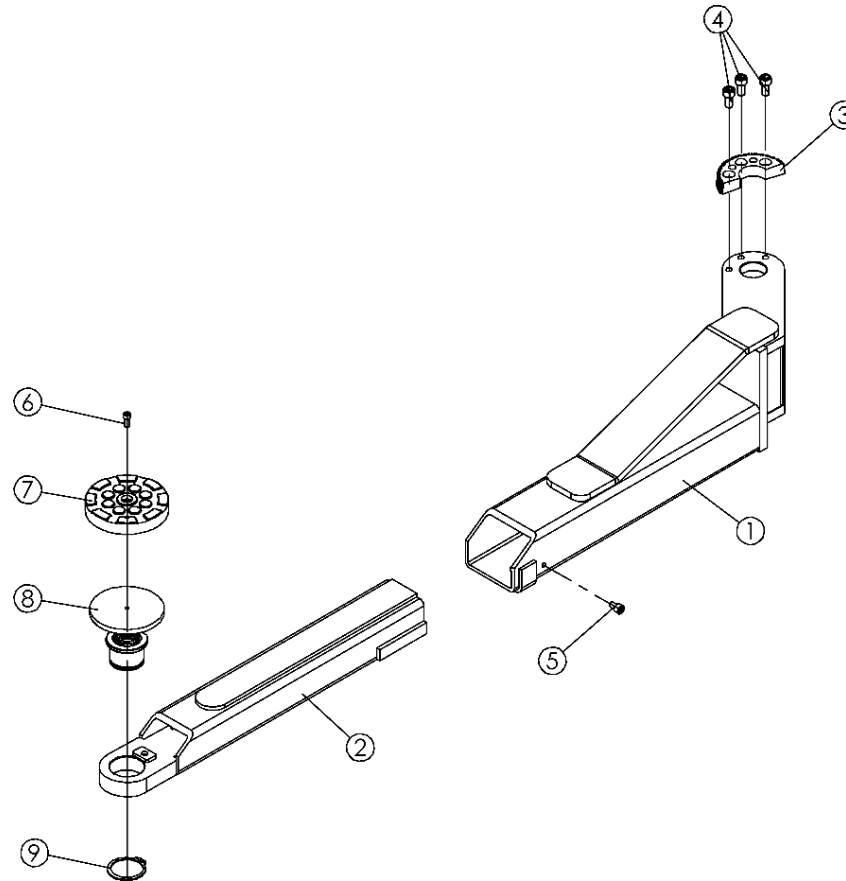
No	Item	Name	Size	Qty	Remark
1	BN-2. 40EM-A-2000-01-00	Carriage Welding	530*840*283	1	painting
2	BN-2. 40EM-A-2000-04	Slider	31*38*70	8	
3	BN-2. 40EM-A-2000-03	Carriage Car Protection Rubber	52*35*250	1	
4	Non	Allen Bolt	8*30	2	galvanization
5	BN-2. 40EM-A-2000-02-03.	Safety Lock Tension Spring	Ø11.6*93	1	blackening
6	BN-2. 40EM-A-2000-02-01-00	Safety Lock Welding	39.5*78*236	1	galvanization
7	BN-2. 40EM-A-2000-05A	Safety Lock Gasket A	Ø40*2.5	2	galvanization
8	BN-2. 40EM-A-2000-05B	Safety Lock Gasket	Ø40*1	1	galvanization
9	Non	Criclip	Ø20	1	blackening
10	BN-2. 40EM-A-2000-02-02	Safety Lock Pressure Spring	Ø12.1*27	1	blackening
11	Non	Allen Bolt	8*40	1	galvanization
12	Non	Safety Lock Release Rope	Ø2.5*500	1	assembly
13	BN-2. 40EM-A-2000-06	Lock Pin	Ø22*290	2	galvanization
14	BN-2. 40EM-A-2000-07	Arm Gear	54*39*30	2	galvanization
15	Non	Criclip	5*35	2	blackening
16	BN-2. 40EM-A-2000-09	Gear Gasket	Ø32*4	2	galvanization
17	BN-2. 40PM-A-2000-04	Lock Pin Spring	Ø28*165	2	galvanization
18	Non	Gasket	Ø40*2.5	2	galvanization
19	Non	Criclip	Ø15*1.5	2	blackening
20	Non	Nut	M8	2	galvanization
21	Non	Allen Bolt	M8*25	2	galvanization

BN-2. 40EM-4	Left Bend Arm Assembling 705-1045mm	ED. 09 / 2024
--------------	-------------------------------------	---------------



No	Item	Name	Size	Qty	Remark
1	BN-2. 40EM-C-3000-02-00	Left Bend Arm Outside	190*202. 8*685	1	painting
2	BN-2. 40EM-C-3000-04-00	Left Bend Arm inside	86*66*605	1	painting

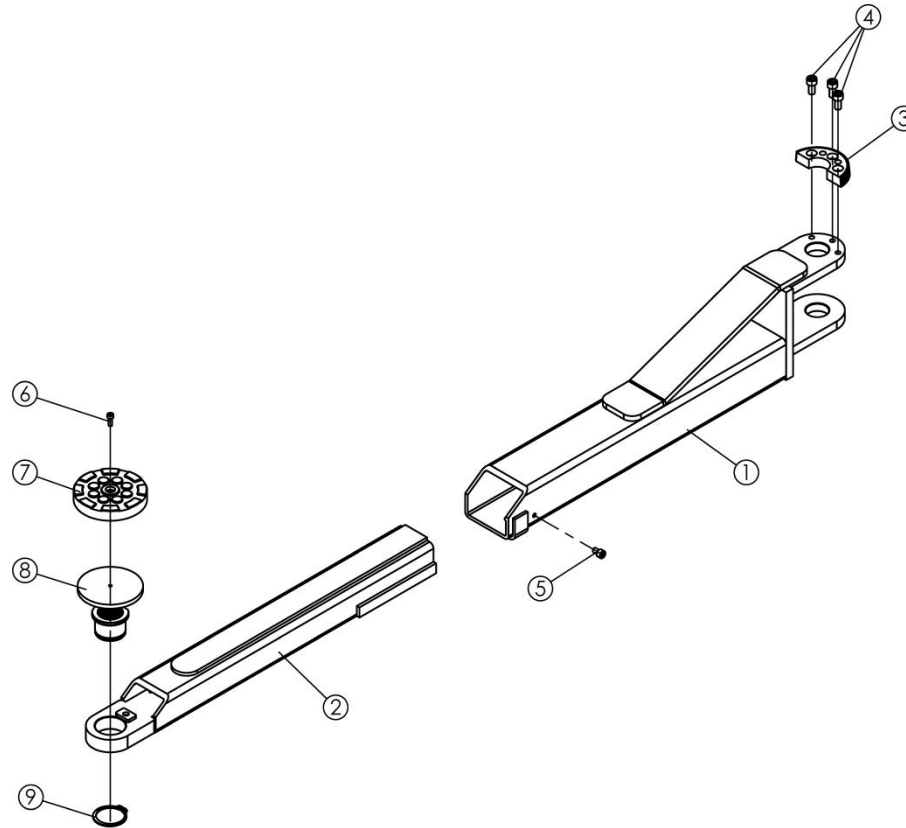
3	BN-2.40EM-A-3000-04	Arm Gear	106.25*51.63*18	1	galvanization
4	Non	Allen Bolt	M10*20 (8.8级)	3	galvanization
5	Non	Allen Bolt	8*12	1	galvanization
6	Non	Allen Bolt	6*16	1	galvanization
7	BN-2.40EM-A-3000-06-04	Rubber Pad	Ø120*20	1	
8	BN-2.40EM-A-3000-06-00A	Two-stage Pick Up Pad	Ø107*74	1	Assembly
9	Non	Criclip	Ø50	1	blackening



No	Item	Name	Size	Qty	Remark
1	BN-2. 40EM-C-3000-01-00	Right Bend Arm Outside	190*202. 8*685	1	painting
2	BN-2. 40EM-C-3000-03-00	Right Bend Arm Inside	86*66*605	1	painting
3	BN-2. 40EM-A-3000-04	Arm Gear	106. 25*51. 63*18	1	galvanization
4	Non	Allen Bolt	M10*20 (8. 8级)	3	galvanization
5	Non	Allen Bolt	8*12	1	galvanization
6	Non	Allen Bolt	6*16	1	galvanization

7	BN-2. 40EM-A-3000-06-04	Rubber Pad	Ø120*20	1	
8	BN-2. 40EM-A-3000-06-00A	Two-stage Pick Up Pad	Ø107*74	1	assembly
9	Non	Criclip	Ø50	1	blackening

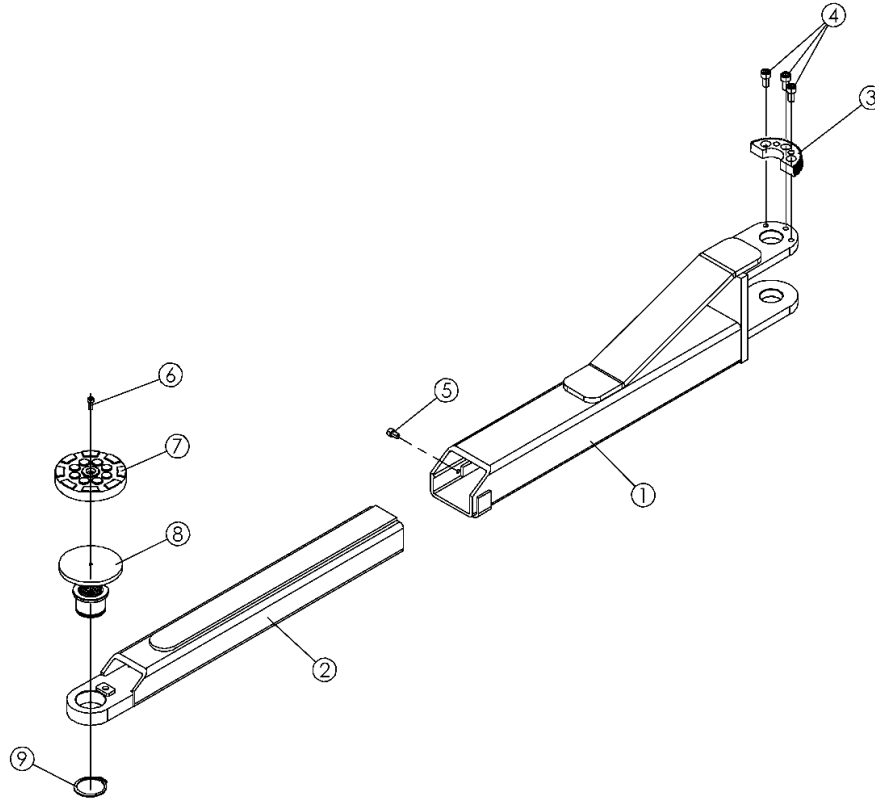
BN-2. 40EM-6	Right Straight Arm Assembling 828-1228	ED. 09 / 2024
--------------	--	---------------



No	Item	Name	Size	Qty	Remark
1	BN-2. 40EM-C-3000-05-00	Right Straight Arm Outside	110*190*808	1	painting
2	BN-2. 40EM-C-3000-07-00	Right Straight Arm Inside	86*66*746	1	painting
3	BN-2. 40EM-A-3000-04	Arm Gear	106.25*51.63*18	1	galvanization
4	Non	Allen Bolt	M10*20 (8.8级)	3	galvanization
5	Non	Allen Bolt	8*12	1	galvanization
6	Non	Allen Bolt	6*16	1	galvanization
7	BN-2. 40EM-A-3000-06-04	Rubber Pad	Ø120*20	1	

8	BN-2.40EM-A-3000-06-00A	Two-stage Pick Up Pad	∅107*74	1	assembly
9	Non	Criclip	∅50	1	blackening

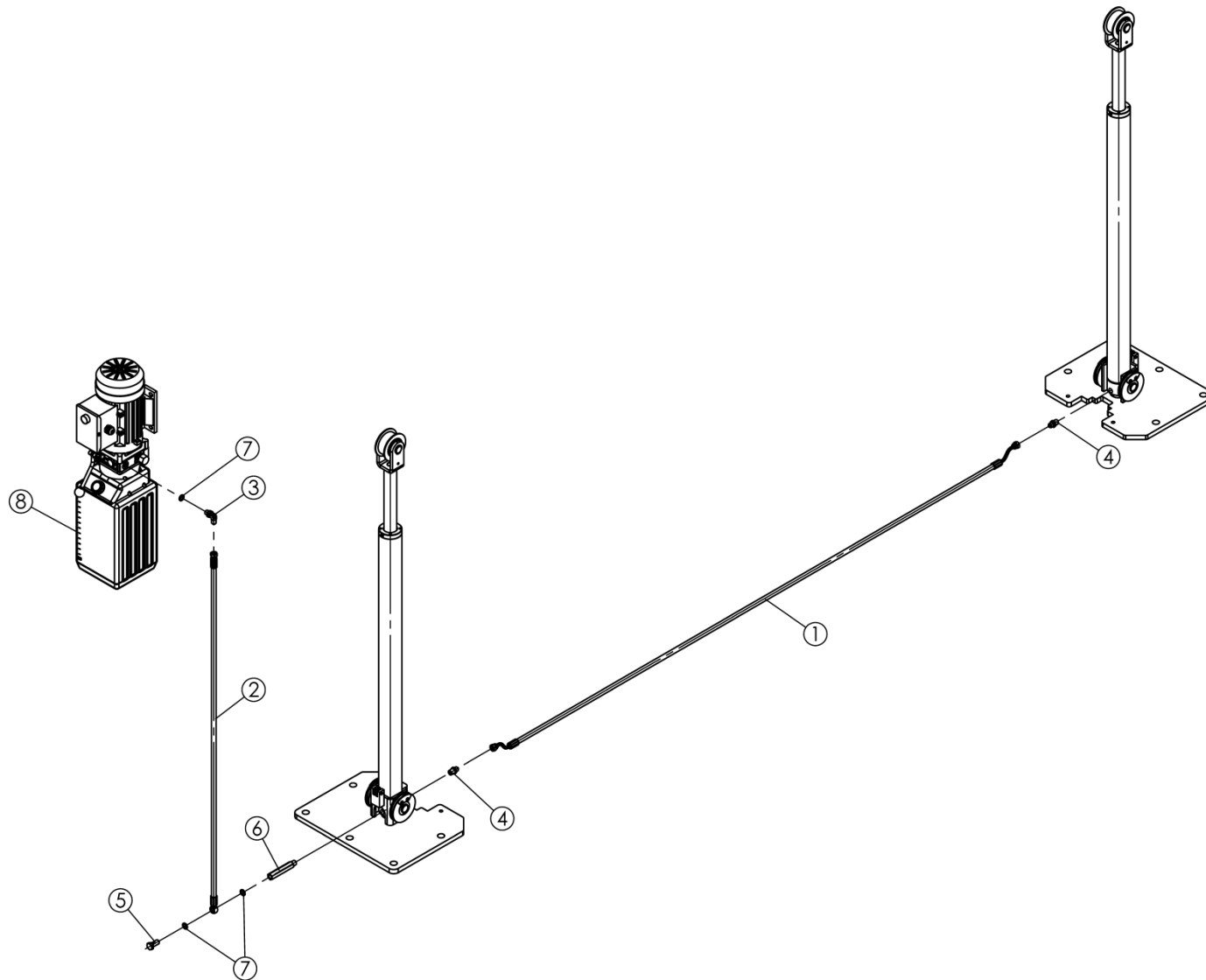
BN-2.40EM-7	Left Straight Arm 828-1228	ED. 09 / 2024
-------------	----------------------------	---------------



No	Item	Name	Size	Qty	Remark
1	BN-2.40EM-C-3000-06-00	Left Straight Arm Outside	110*190*808	1	painting
2	BN-2.40EM-C-3000-08-00	Left Straight Arm Inside	86*66*746	1	painting
3	BN-2.40EM-A-3000-04	Arm Gear	106.25*51.63*18	1	galvanization
4	Non	Allen Bolt	M10*20 (8.8级)	3	galvanization
5	Non	Allen Bolt	8*12	1	galvanization
6	Non	Allen Bolt	6*16	1	galvanization
7	BN-2.40EM-A-3000-06-04	Rubber Pad	∅120*20	1	

8	BN-2. 40EM-A-3000-06-00A	Two-stage Pick Up Pad	Ø107*74	1	assembly
9	Non	Criclip	Ø50	1	blackening

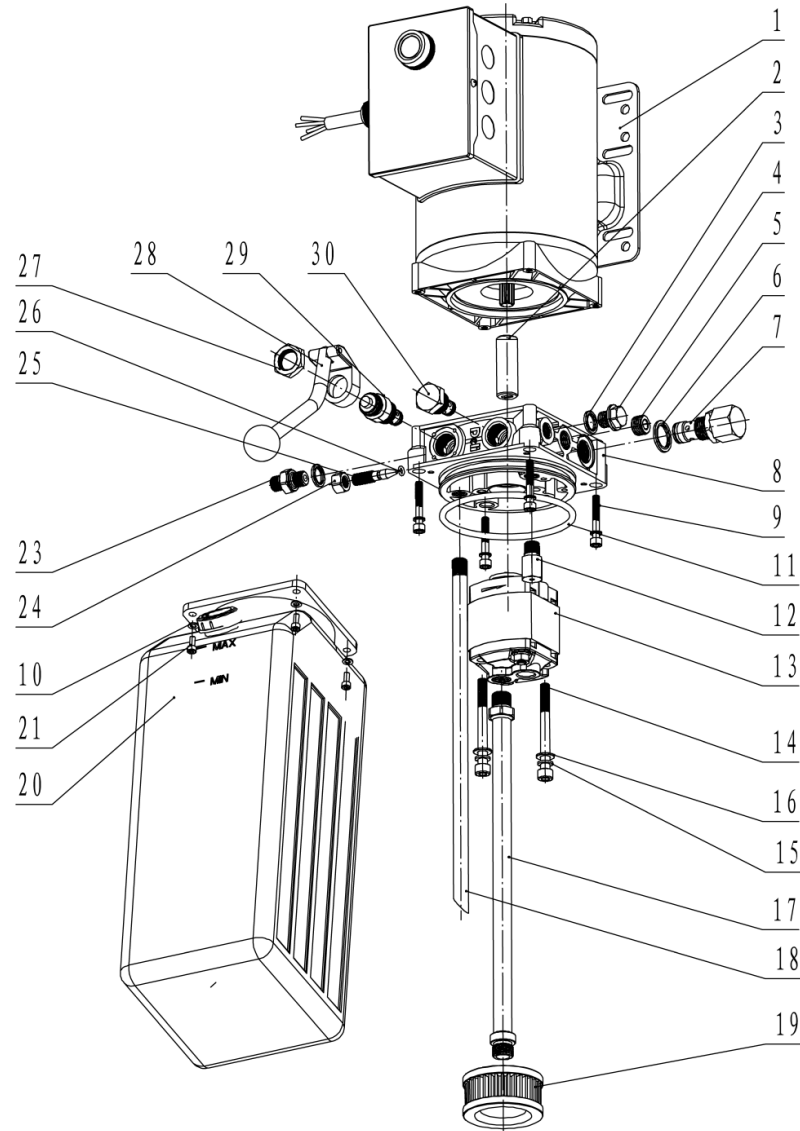
BN-2. 40EM-8	Hydraulic System Explosion Drawing	ED. 09 / 2024
--------------	------------------------------------	---------------



BN-2. 40EM-8 Hydraulic System Explosion Drawing List

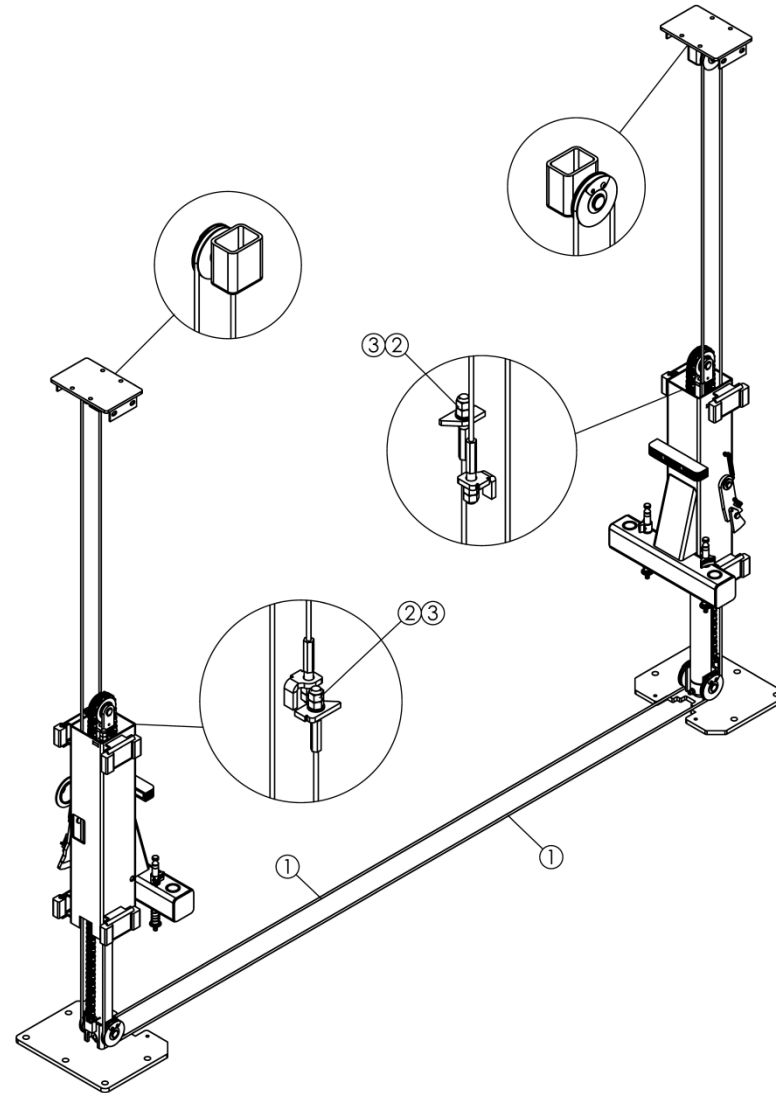
No	Item	Name	Size	Qty	Remark
1	BN-2. 40EM-A-7000-02	Base Plate Oil Hose 2860	2-M14*1.5-L=2860	1	
2	BN-2. 40EM-A-7000-03	Power Unit Oil Hose 1365	Ø14.5-M14*1.5-L=1365	1	
3	BN-2. 40EM-A-7000-04	Power Unit Joint	2-M14*1.5-L=39*42	1	galvanization
4	BN-2. 40EM-A-7000-05	Base Plate Joint	ZG3/8-L=34	2	galvanization
5	BN-2. 40EM-A-7000-06	Cylinder-Oil Hose Joint	M14*1.5-L=38	1	galvanization
6	BN-2. 40EM-A-7000-07	Cylinder Joint	ZG3/8-L=110	1	galvanization
7	Non	Gasket	M14	3	
8a	Non	Power Unit	220/230V, 2.2Kw, 50Hz	1	
8b	Non	Power Unit	380/400V, 2.2Kw, 50Hz	1	

BN-2.40EM-8-8b Power Unit Explosion Drawing List



No	Item	Name	Size	Qty	Remark
1	AM13-4HAC-3BA1	Motor	3 PH, 380V, 50Hz, 2. 2KW	1	
2	YBZ-E2. 1Y1W14/1-01	Joint	54mm	1	
3	JB982-77	Seals Gasket	14	2	
4	JB/ZQ4450-2006	Hex Head Bolt	M14x1.5	1	
5	JB/ZQ 4447-2006	60 degree seal pipe allen bolt	Z3/8"	1	
6	JB982-77	Seals Gasket	20	1	
7	YBZ-E2D3I1/1-04	Relief Valve	22MPa	1	
8	YLBZ-A1BK-1	Pump Shelf		1	
9	NLJLD-M6x50	Allen Bolt		4	
10	GB/T 95	Gasket		4	
11	GB/T3452. 1-2005	O-ring	109x5. 3	1	
12	HCF-Z1/4	Release Valve		1	
13	CBKA-F2. 7F	Gear Pump	2. 8ml/r	1	
14	GB/T70. 1-2000	Allen Bolt	M8x80	2	
15	GB/T859-1987	Spring Gasket	8	2	
16	GB/T95-1985	Flat Gasket	8	2	
17	YBZ-F2. 1D4H1/1-02	Inlet Tube	350mm	1	
18	YBZ-E3D3I1/1-01	Oil Return Tube	396mm	1	
19	YBZ-E2D3I1/1-10	Inlet oil Filter		1	
20	YBZ-SLYX-10L	Oil Tank	10L	1	
21	GB/T 70. 1	Bolt	level B	4	
22	YBZ-BT-G3/8"	Ventilator Cowl		1	
23	YBZ-E3D4H1/3	Connector		1	
24	GB/T6171-2000	Nut	M10x1	1	
25	YBZ-E2D3I1/1-11	Allen Bolt		1	
26	GB/T3452. 1-2005	O-ring	5x1. 8	1	
27	YBZ-E2D3I1/1-02/4	Nut		1	
28	YBZ-E2D3I1/1-02-B	Handle		1	
29	YBZ-E2D3I1/1-02-A	Reversing Valve		1	
30	YBZ-E2D3I1/1-03	Single Valve		1	

Steel Rope



No	Item	Name	Size	Qty	Remark
1	BN-2. 40EM-A-7000-01	Steel Rope 8750	Ø8*8750	2	galvanization
2	Non	Flat Gasket	M16	4	galvanization
3	Non	Nut	M16	4	galvanization

