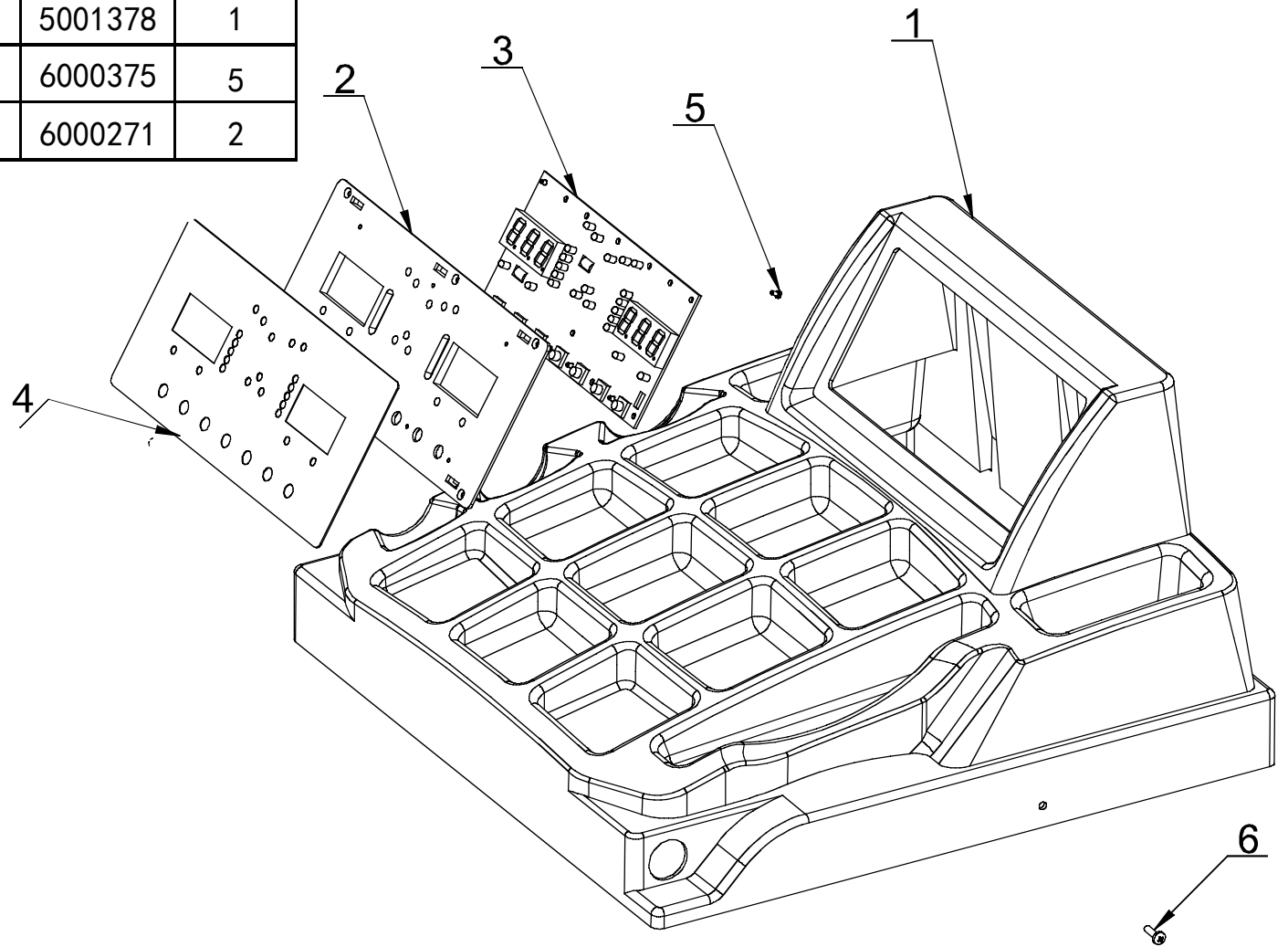
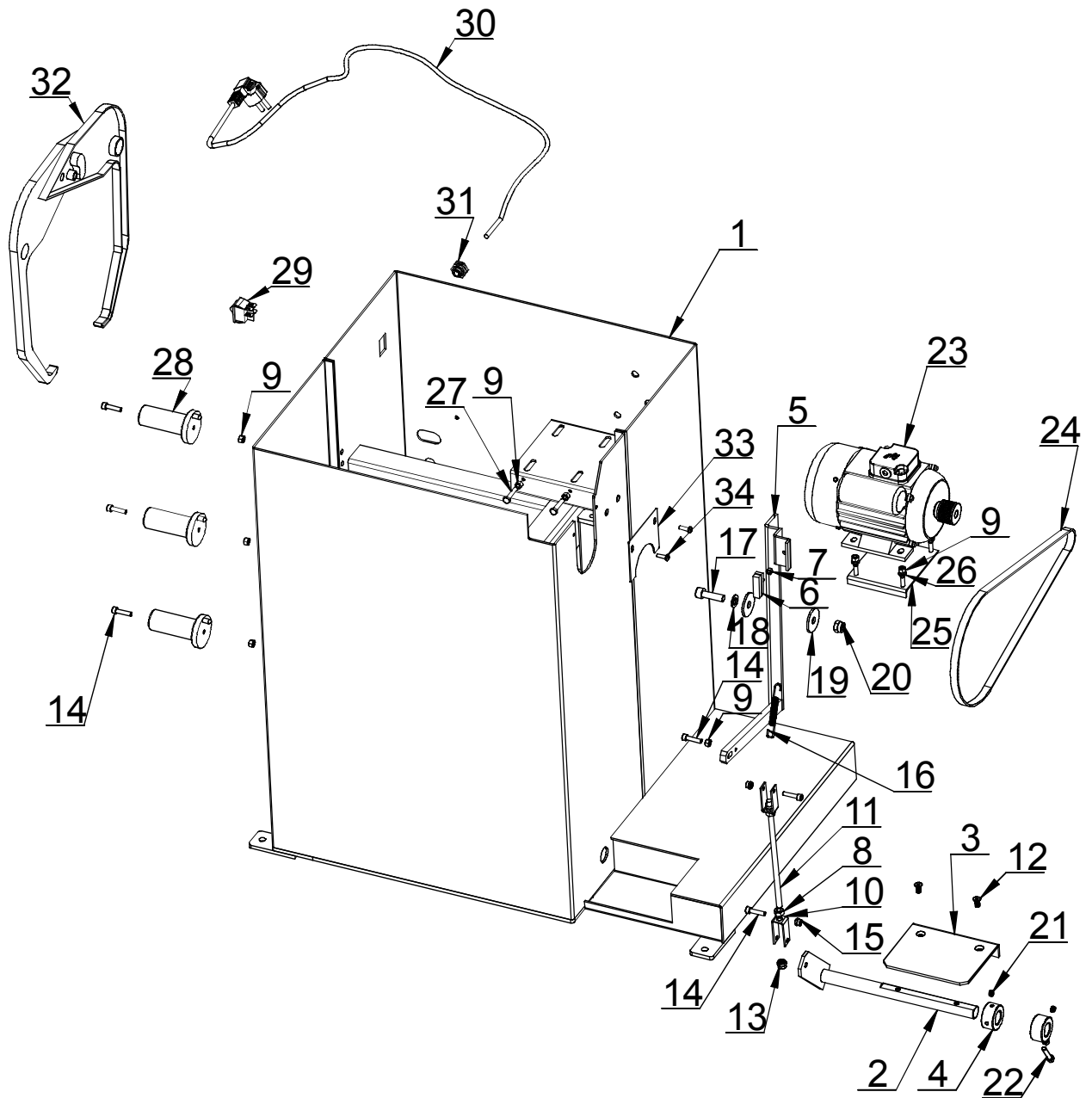


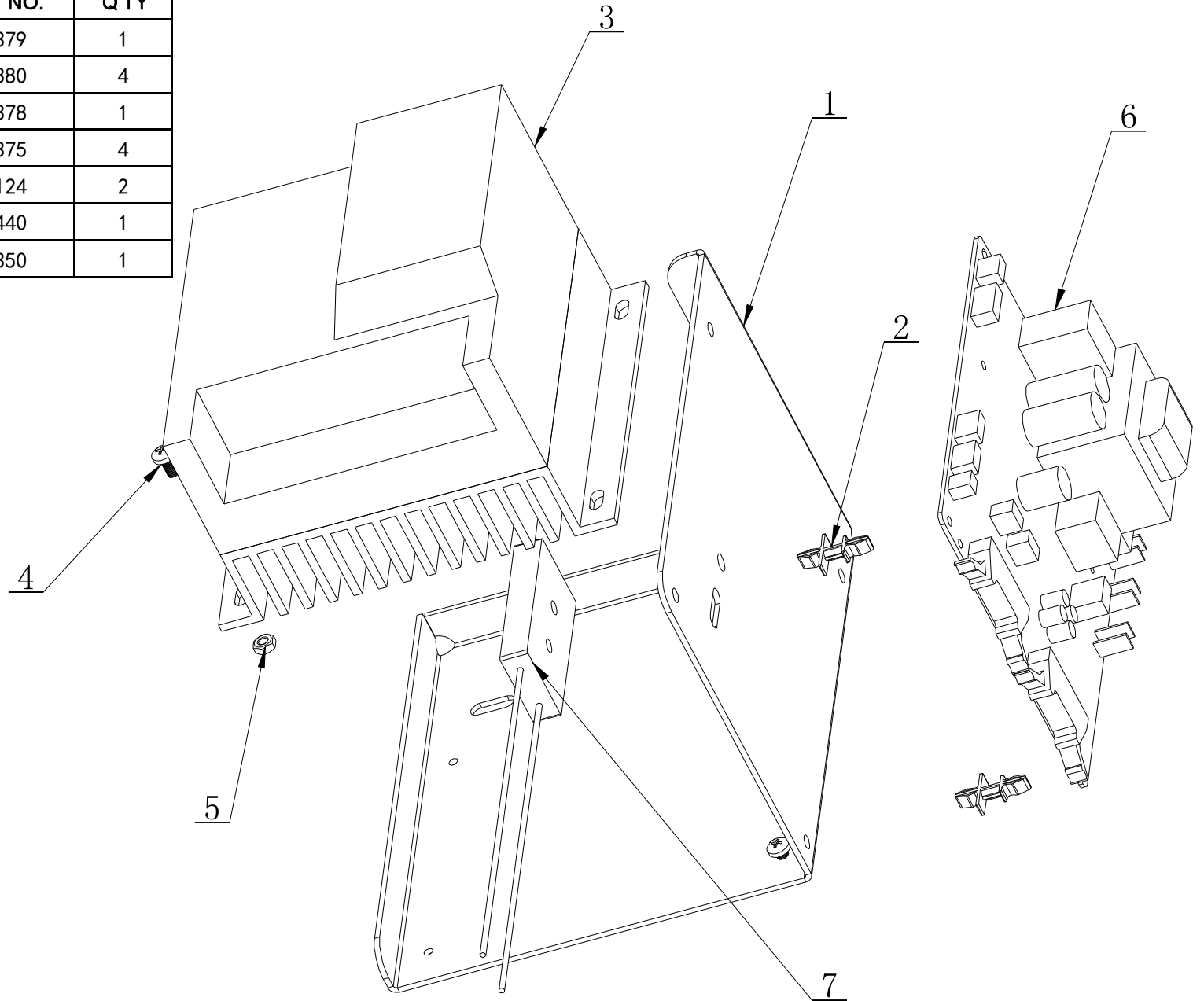
ITEM NO	DESCRIPTION	PART NO.	Q'TY
1	2#/Head with Tools Tray	3005248	1
2	Fix Plate	2065290	1
3	Computer bard	5001319	1
4	Display mask	5001378	1
5	Bolt GB819/M3X10	6000375	5
6	Bolt GB818/ M5X16	6000271	2



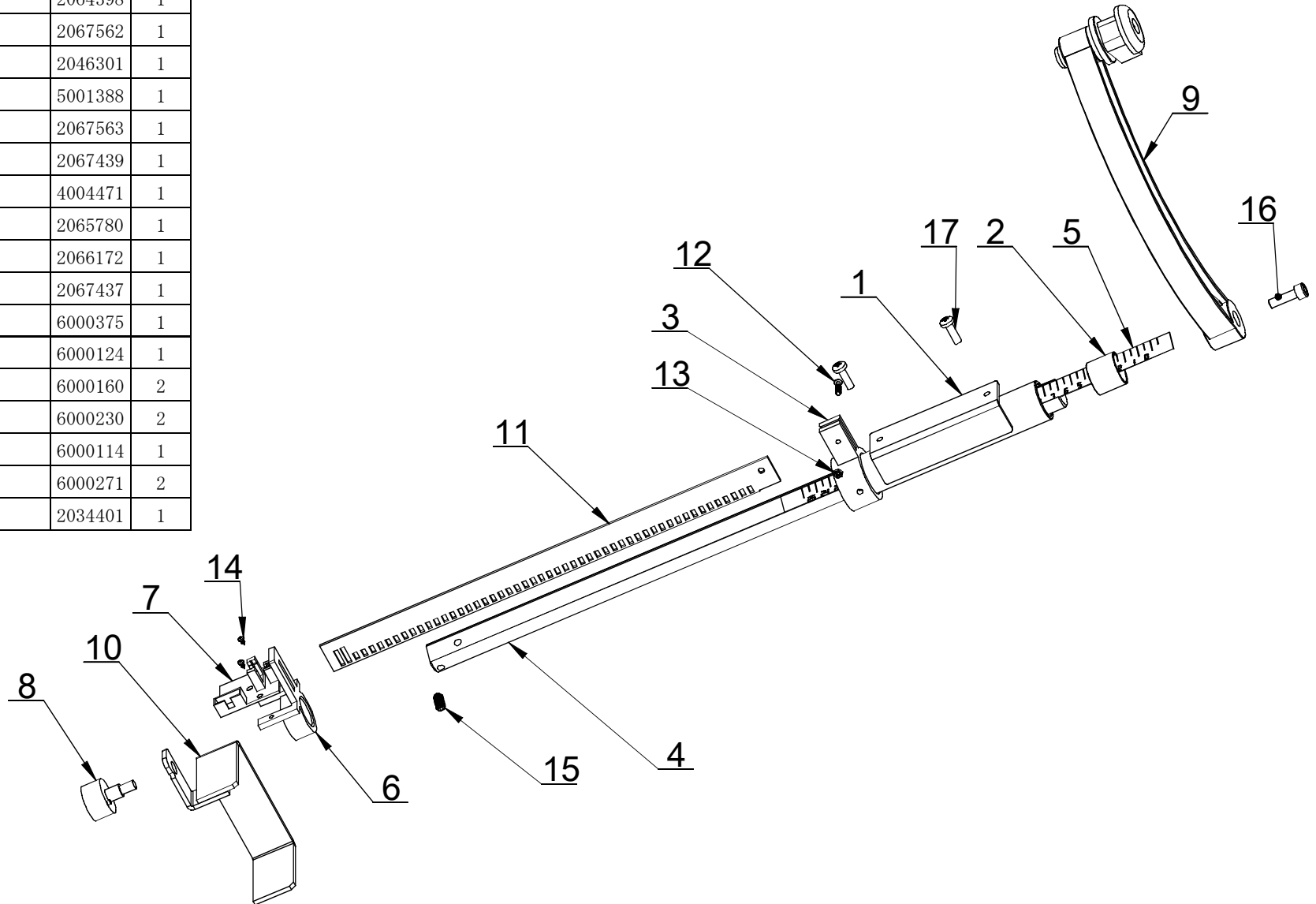
ITEM	DESCRIPTION	PART NO	Q'TY
1	Body	2066019	1
2	Foot lever	2064939	1
3	Brake pedal	2064962	1
4	Brake ring	2064941	2
5	Brake lever	2064944	1
6	Brake pads	3005142	1
7	Hex nut GB41 /M5	6000125	1
8	Hex nut GB41 /M8	6000127	2
9	Hex nut GB41 /M6	6000309	11
10	Connecting	2064942	2
11	Connecting rod	2064955	1
12	Bolt GB2673 M6X12	6000417	2
13	Hex nut GB889-M8	6000148	2
14	Bolt GB70/M6X25	6000294	6
15	Hex nut GB889/M6	6000233	2
16	Tension spring	2010701	1
17	Bolt GB70/M10X60	6000289	1
18	Flat washer Φ10	6000134	1
19	Flat washerΦ38x10x3	2037401	2
20	Hex nut GB889 M10	6000143	1
21	Bolt GB80/M6X12	6000230	2
22	Bolt GB70/M6X35	6000207	1
23	Motor MY6324	4003001	1
24	Belt 380J5	6000171	1
25	Fixed seat	2034501	1
26	Flat washerΦ6	6000138	4
27	Bolt GB70/M6X35	6000120	2
28	Holder	2034301	3
29	Power Switch	4000801	1
30	Plug	4001901	1
31	Cable glands	4000901	1
32	Caliper	3005056	1
33	Small Side plate	2043601	1
34	Bolt GB818 M5*16	6000271	2



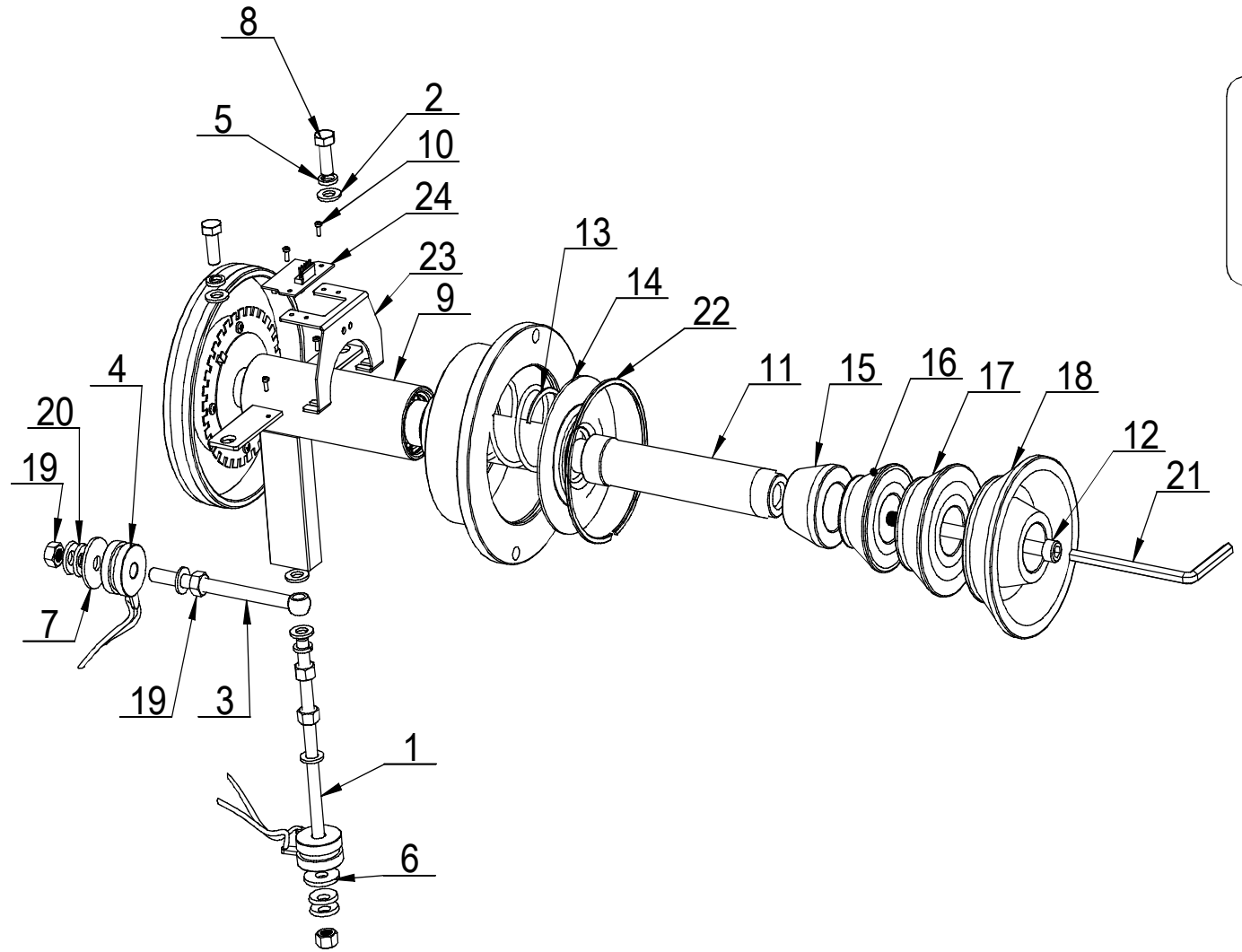
ITEM NO	DESCRIPTION	PART NO.	Q'TY
1	Power box	2066379	1
2	Support	4004380	4
3	Driving module	2066378	1
4	Bolt GB819 M3X15	6000375	4
5	Hex nut GB41 M3	6000124	2
6	Computer bard	8001440	1
7	Resistor	5001350	1



ITEM NO	DESCRIPTION	PART NO.	Q'TY
1	Sleeve	2064812	1
2	Slide bearing	2064398	1
3	Support	2067562	1
4	Aluminum ruler rod	2046301	1
5	Footage number	5001388	1
6	Circuit board-support	2067563	1
7	Distance pick-up board	2067439	1
8	Potentiometer RV24/202	4004471	1
9	Complete ruler head	2065780	1
10	Potentiometer support	2066172	1
11	Grating ruler	2067437	1
12	Bolt M3X10	6000375	1
13	Hex nut GB41 M3	6000124	1
14	Bolt GB845 ST4. 2X16	6000160	2
15	Bolt GB80 M6X12	6000230	2
16	Bolt GB70 M6X20	6000114	1
17	Bolt GB818M5*16	6000271	2
18	Tension spring	2034401	1



ITEM NO	DESCRIPTION	PART NO.	Q'TY
1	Screw M10X160	6000201	1
2	Flat washerGB95/Φ10	6000134	6
3	Horizontal screw M10X160	6000176	1
4	Pressure sensor	4001701	2
5	Spring washer GB93/Φ10	6000197	3
6	Spring washer GB93Φ30x10x3	2052501	1
7	Spring washer GB93Φ38x10x3	2037401	1
8	Screw GB5783 M10X25	6000184	2
9	Complete axle	2032901	1
10	Bolt GB818/M4X10	6000267	4
11	Thread hub	2042201	1
12	Bolt GB70/M10X160	6000259	1
13	Tower spring	2042801	1
14	Plastic lid	3005013	1
15	Conic NO.1	2033401	1
16	Conic NO.2	2033501	1
17	Conic NO.3	2033601	1
18	Conic NO.4	2033701	1
19	Hex nut GB41 M10	6000336	5
20	Copper backing	6000159	4
21	Allen wrench	6000169	1
22	Retaining ring	2067389	1
23	Support	2034001	1
24	Position pick-up board	5000401	1



ITEM NO	DESCRIPTION	Q' TY
1	Package box	1
2	Conic 4	1
3	Conic 3	1
4	Conic 2	1
5	Conic 1	1
6	Locking nut	1
7	Thread rod	1
8	Plastic bowl	1
9	Rubber buffer	1
10	Hammer	1
11	Counterweight	1
12	Spanner	1
13	Caliper	1

