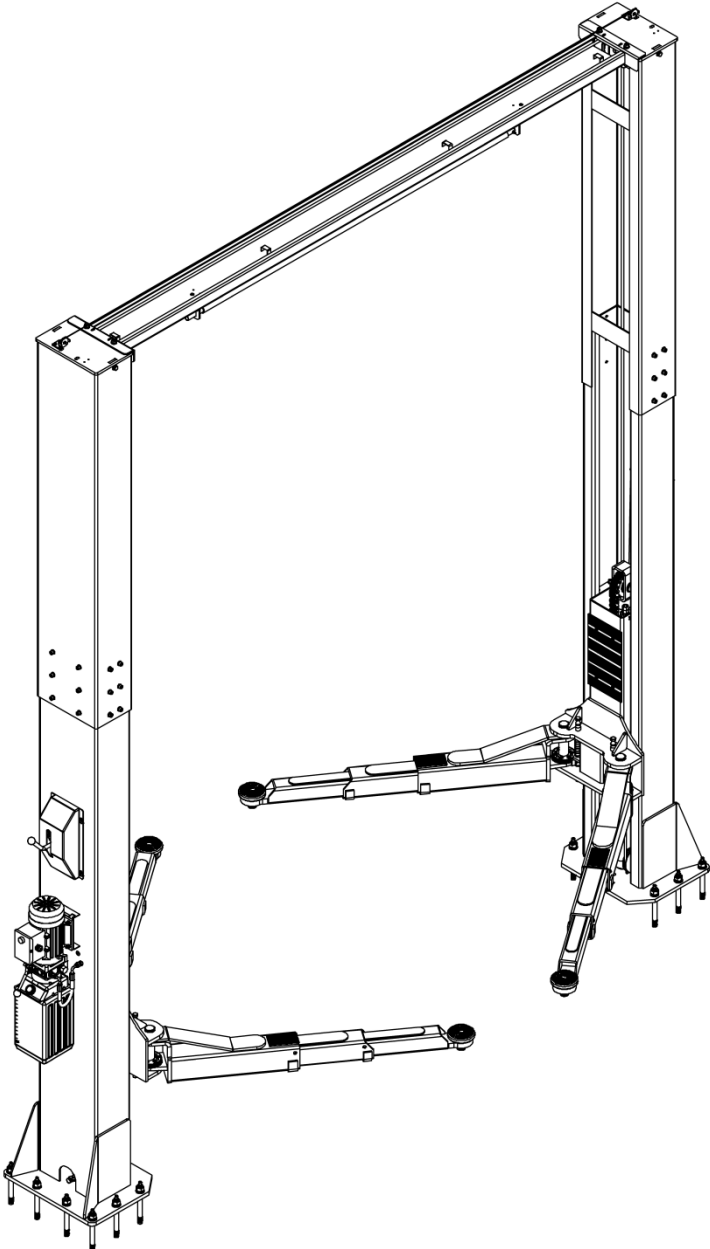
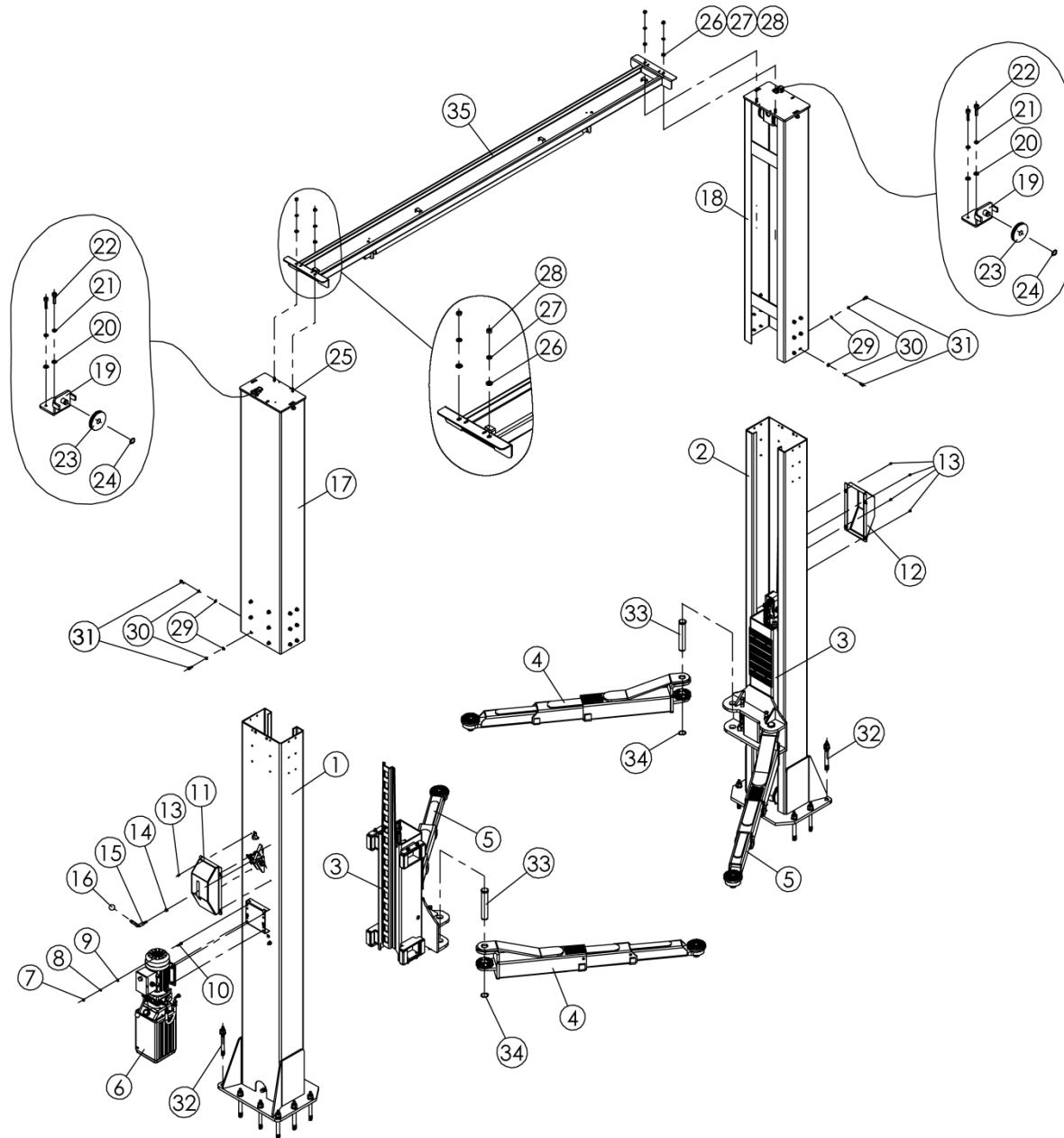




ED. 12/2024

PARTCATALOGUE
BN-3.55PS
TWO POST LIFT





BN-3. 55PS-0 Assembling Explosion Drawing List

No	Item	Name	Size	Qty	Remark
1	BN-3. 55PS-A-1000-00A	Main Column Assembling	550*450*2830	1	
2	BN-3. 55PS-A-1000-00B	Slave Column Assembling	550*450*2830	1	
3	BN-3. 55PS-A-2000-01-00	Carriage Welding	382*465*1475	2	
4	BN-3. 55PS-A-3000-00A	Left Arm Assembling 760-1460	760-1460	2	
5	BN-3. 55PS-A-3000-00B	Right Arm Assembling 760-1460	760-1460	2	
6	Non	Hydraulic System		1	
7	Non	Nut	M8	4	galvanization
8	Non	Spring Washer	M8	4	galvanization
9	Non	Flat Gasket	M8	4	galvanization
10	Non	Allen Bolt	M8*30	4	galvanization
11	BN-2. 40ES-A-1000-13	Main Column Safety Lock Cover	198. 4*364*100	1	black
12	BN-2. 40ES-A-1000-14	Slave Column Safety Lock Cover	198. 4*364*100	1	black
13	Non	Phillips Head Screw	M6*10	8	galvanization
14	Non	Nut	M10	1	galvanization
15	BN-2. 40ES-A-1000-09	Safety Lock Handle	Ø16*100*75	1	galvanization
16	BN-6. 50W-A-2000-11	Handle Boll	Ø35	1	
17	BN-3. 55PS-A-1000-03-00	Main Column-connection Assembling	372*232*1882	1	
18	BN-3. 55PS-A-1000-04-00	Slave Column-connection Assembling	372*232*1882	1	
19	BN-3. 40ES-A-1000-04-00	Release Steel Cable Wheel Bracket Welding	51*45*62	2	galvanization
20	Non	Flat Gasket	M5	4	galvanization
21	Non	Spring Washer	M5	4	galvanization
22	Non	Allen Bolt	M5*20	4	galvanization
23	BN-2. 40ES-A-1000-12	Safety Lock Steel Cable Wheel	Ø42*7	2	galvanization
24	Non	Cir Clip	Ø10	2	blackening
25	Non	Hex Head Bolt	M12*35	4	galvanization
26	Non	Flat Gasket	M12	4	galvanization
27	Non	Spring Washer	M12	4	galvanization
28	Non	Hex Head Nut	M12	4	galvanization
29	Non	Flat Gasket	M10	36	galvanization
30	Non	Spring Washer	M10	36	galvanization
31	Non	Allen Bolt	M10	36	galvanization
32	Non	Anchor Bolt	M20*200	16	galvanization
33	BN-2. 60PA-A-2000-04	Arm Pin	Ø42*219	4	galvanization

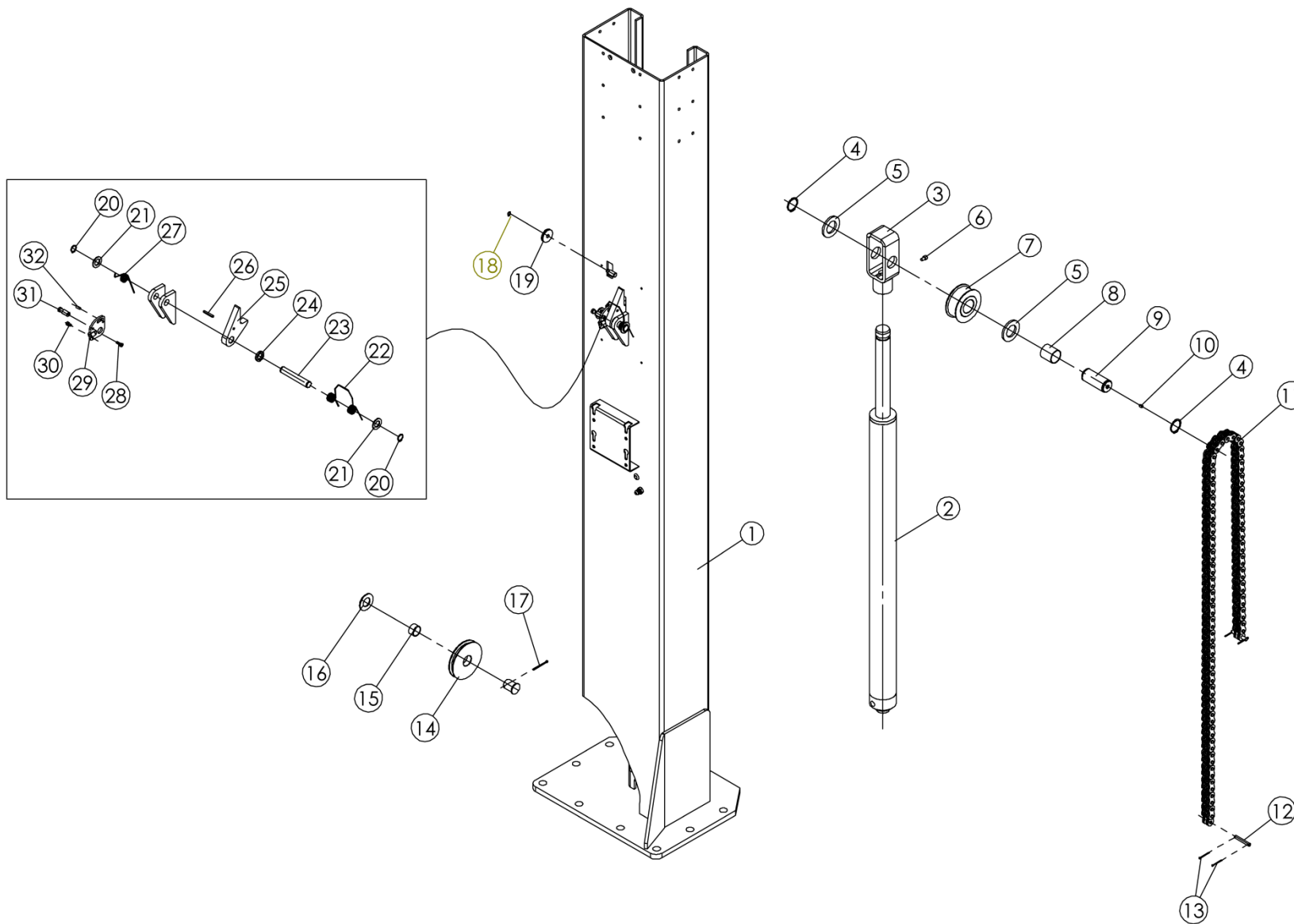
34 Non
35 BN-3.55PS-A-4000-00A

Cir Clip
Column Top Connection Welding

Ø40
360*3173*195

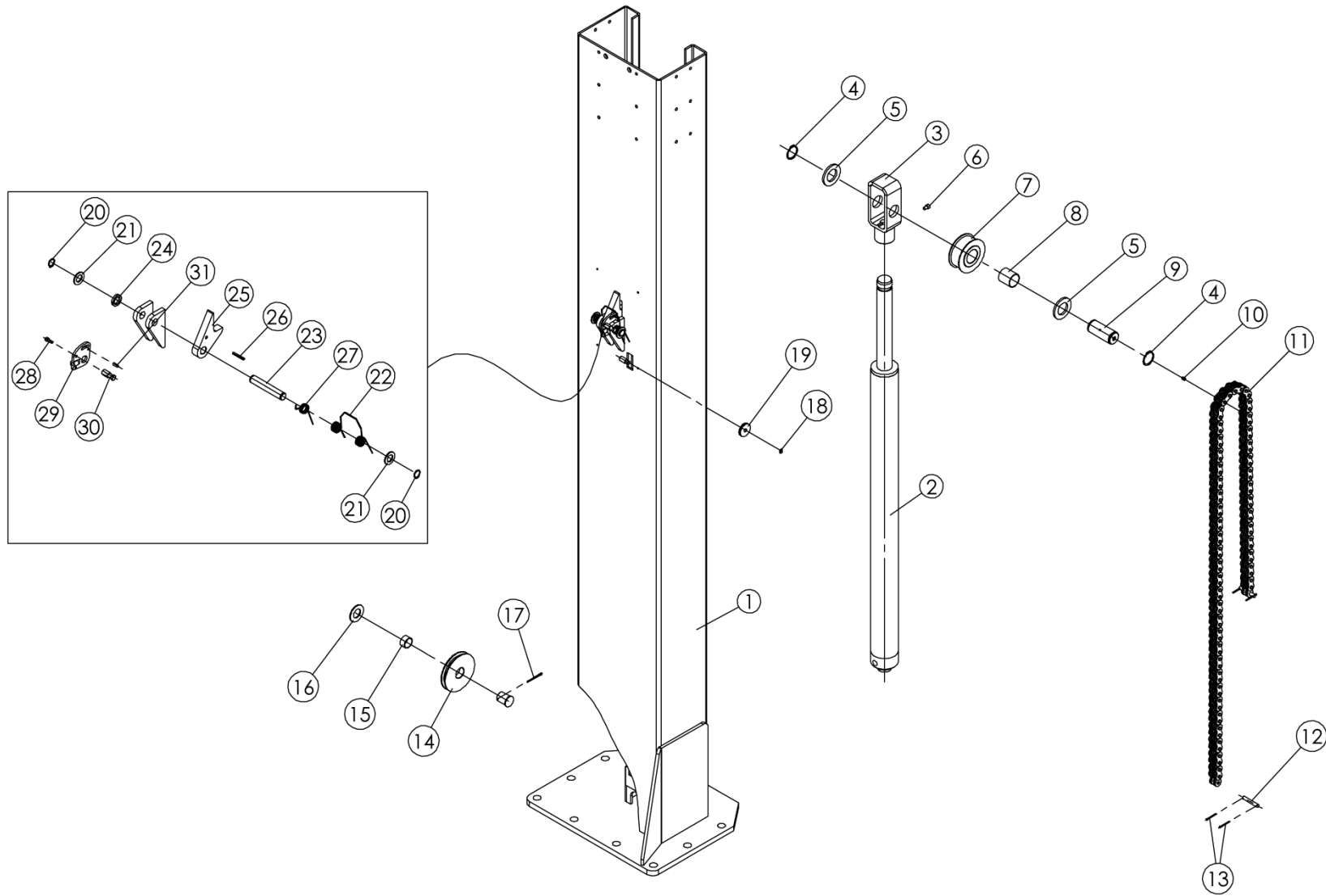
4 blackening
1

BN-3.55PS-1	Main Column Assembling Explosion Drawing	ED. 12 / 2024
-------------	--	---------------



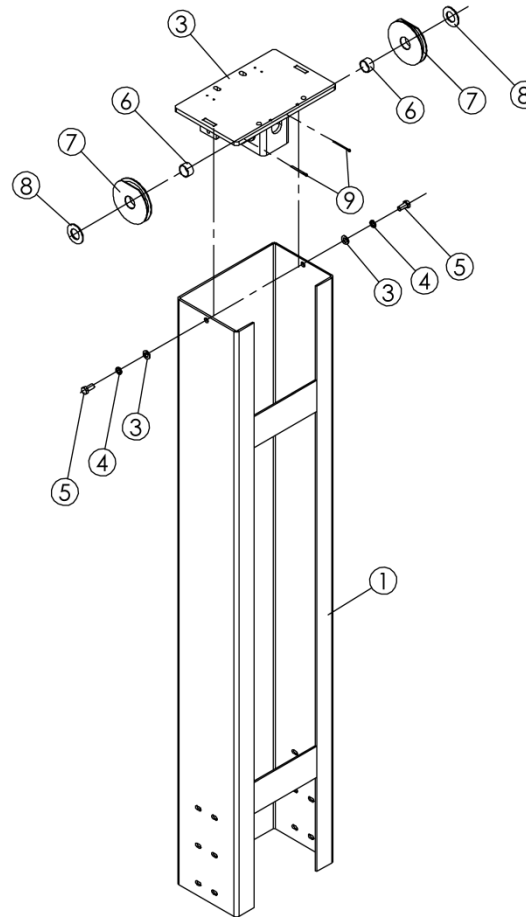
BN-3.55PS-1 Main Column Assembling Explosion Drawing List

No	Item	Name	Size	Qty	Remark
1	BN-3.55PS-A-1000-01-00	Main Column Welding	550*450*2818	1	painting
2	BN-2.60PA-A-5000-02	Slave Cylinder-one hole	1167*945	1	assembling
3	BN-2.60PA-A-5000-04-01-00	Chain Wheel Bracket Welding	210*60*80	1	painting
4	Non	Cir Clip	Ø40	2	blackening
5	BN-2.60PA-A-5000-04-04	Chain Wheel Spacer Ring	Ø70*6	2	galvanization
6	Non	Allen Bolt	M8*12	1	galvanization
7	BN-2.60PA-A-5000-04-02	Chain Wheel	Ø110*46	1	galvanization
8	Non	Oilness Bearing	SF4045	1	
9	BN-2.60PA-A-5000-04-03	Chain Wheel Pin	Ø40*95	1	galvanization
10	Non	Zerk	Ø8*10	1	
11	BN-2.60PA-A-5000-03	Chain	BL844, 91 节	1	
12	BN-2.60PA-A-5000-03A	Chain Pin	Ø9.5*62	2	galvanization
13	Non	Cir Clip	Ø3*35	4	galvanization
14	BN-2.60PA-A-1000-04	Steel Cable Wheel	Ø128*8	1	galvanization
15	Non	Oilness Bearing	SF-2, 3018	1	galvanization
16	BN-2.60PA-A-1000-05	Cable Wheel Gasket	Ø56*3	1	galvanization
17	Non	Pin	4*50	1	galvanization
18	Non	Cir Clip	Ø10	1	blackening
19	BN-2.40ES-A-1000-12	Safety Lock Cable Wheel	Ø42*7	1	galvanization
20	Non	Cir Clip	Ø20	2	blackening
21	BN-6240WP-1000-17	Spring Circlip	Ø36*3	2	galvanization
22	BN-2.40ES-A-1000-15	Twisting Spring	75*57*105	1	galvanization
23	BN-2.40ES-A-1000-10	Safety Pin	Ø20*117	1	galvanization
24	BN-2.40ES-A-1000-11	Safety Spacer	Ø232*6	1	galvanization
25	BN-2.40ES-A-1000-05-01	Safety Plate	68*81*20	1	galvanization
26	Non	Spring Joint Pin	Ø6*40	1	galvanization
27	BN-2.40ES-A-1000-16	Safety Spring	25.2*80*6	1	galvanization
28	Non	Allen Bolt	M6*16	1	galvanization
29	BN-2.40ES-A-1000-07-01-00	Handle Plate	16*67*60	1	galvanization
30	Non	Allen Bolt	M6*10	1	galvanization
31	BN-2.40ES-A-1000-07-02	Safety Cable Screw	S13*39	1	galvanization
32	Non	Tighten Allen Bolt	M6*16	1	galvanization

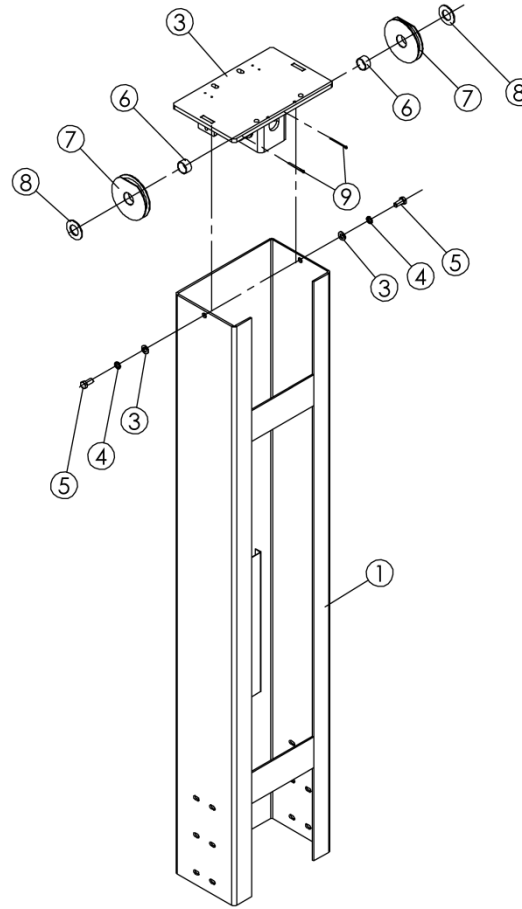


BN-3. 55PS-2 Slave Column Assembling Explosion Drawing List

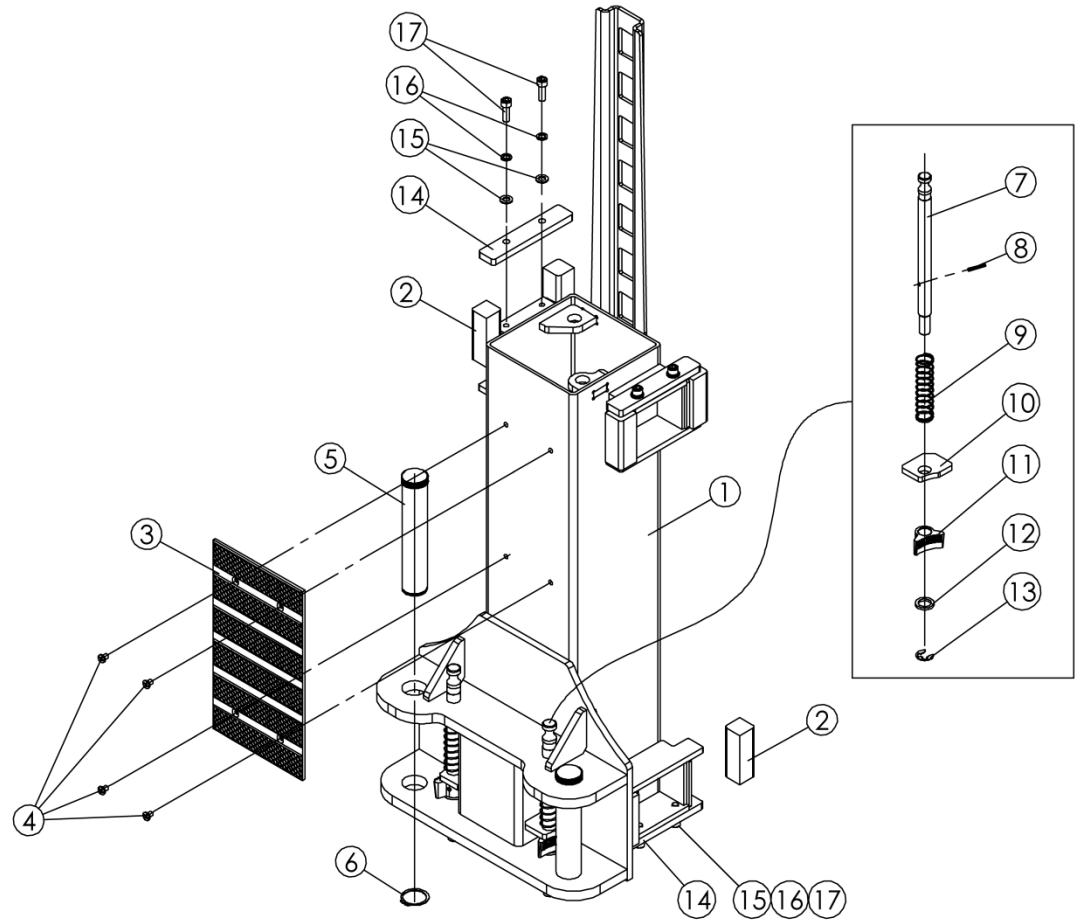
No	Item	Name	Size	Qty	Remark
1	BN-3. 55PS-A-1000-02-00	Slave Column Welding	550*450*2818	1	painting
2	BN-2. 60PA-A-5000-02	Slave Cylinder	1167*945	1	assembling
3	BN-2. 60PA-A-5000-04-01-00	Chain Wheel Bracket Welding	210*60*80	1	painting
4	Non	Circlip	Ø40	2	blackening
5	BN-2. 60PA-A-5000-04-04	Chain Wheel Spacer Ring	Ø70*6	2	galvanization
6	Non	Allen Bolt	M8*12	1	galvanization
7	BN-2. 60PA-A-5000-04-02	Chain Whell	Ø110*46	1	galvanization
8	Non	Oilness Bearing	SF4045	1	
9	BN-2. 60PA-A-5000-04-03	Chain Wheel Pin	Ø40*95	1	galvanization
10	Non	Zerk	Ø8*10	1	
11	BN-2. 60PA-A-5000-03	Chain	BL844, 91 节	1	
12	BN-2. 60PA-A-5000-03A	Chain Pin	Ø9. 5*62	2	galvanization
13	Non	Circlip	Ø3*35	4	galvanization
14	BN-2. 60PA-A-1000-04	Steel Cable Wheel	Ø 128*8	1	galvanization
15	Non	Oilness Bearing	SF-2, 3018	1	galvanization
16	BN-2. 60PA-A-1000-05	Steel Cable Wheel Gasket	Ø 56*3	1	galvanization
17	Non	Pin	4*50	1	galvanization
18	Non	Circlip	Ø10	1	blackening
19	BN-2. 40ES-A-1000-12	Safety Steel Cable Wheel	Ø42*7	1	galvanization
20	Non	Circlip	Ø20	2	blackening
21	BN-6240WP-1000-17	Safety Spring Retaining Ring	Ø36*3	2	galvanization
22	BN-2. 40ES-A-1000-15	Safety Twisting Spring	75*57*105	1	galvanization
23	BN-2. 40ES-A-1000-10	Safety Lock Pin	Ø20*117	1	galvanization
24	BN-2. 40ES-A-1000-11	Safety Spacer	Ø232*6	1	galvanization
25	BN-2. 40ES-A-1000-05-01	Safety Plate	68*81*20	1	galvanization
26	Non	Spring Pin	Ø6*40	1	galvanization
27	BN-2. 40ES-A-1000-16	Safety Spring	25. 2*80*6	1	galvanization
28	Non	Allen Bolt	M6*16	1	galvanization
29	BN-2. 40ES-A-1000-07-01-00	Handle Plate	16*67*60	1	galvanization
30	BN-2. 40ES-A-1000-07-02	Safety Cable Screw	S13*39	1	galvanization
32	Non	Tighten Allen Bolt	M6*16	1	galvanization



No	Item	Name	Size	Qty	Remark
1	BN-3.55PS-A-1000-03-01-00	Connection Main Column Welding	362*222*1870	1	painting
2	BN-3.55PS-A-1000-03-02-00A	Column Top Tray Welding	372*232*132	1	painting
3	Non	Flat Gasket	M12	2	galvanization
4	Non	Spring Washer	M12	2	galvanization
5	Non	Hex Head Bolt	M12*25	2	galvanization
6	Non	Oilness Bearing	SF-2, 3018	2	galvanization
7	BN-2.60PA-A-1000-04	Steel Cable Wheel	∅128*8	2	galvanization
8	BN-2.60PA-A-1000-05	Steel Cable Wheel Gasket	∅56*3	2	galvanization
9	Non	Pin	4*50	2	galvanization

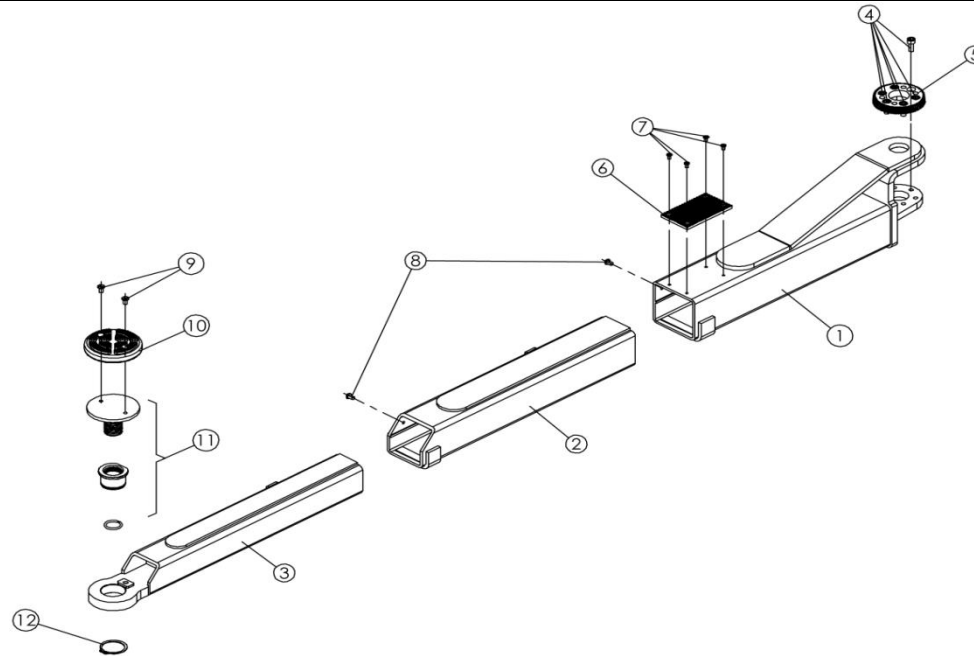


No	Item	Name	Size	Qty	Remark
1	BN-3.55PS-A-1000-03-01-00	Connection-Slave Column Welding	362*222*1870	1	painting
2	BN-3.55PS-A-1000-03-02-00A	Column Top Tray Welding	372*232*132	1	painting
3	Non	Flat Gasket	M12	2	galvanization
4	Non	Spring Washer	M12	2	galvanization
5	Non	Hex Head Bolt	M12*25	2	galvanization
6	Non	Oilness Bearing	SF-2, 3018	2	galvanization
7	BN-2.60PA-A-1000-04	Steel Cable Wheel	∅128*8	2	galvanization
8	BN-2.60PA-A-1000-05	Steel Cable Wheel Gasket	∅56*3	2	galvanization
9	Non	Pin	4*50	2	galvanization

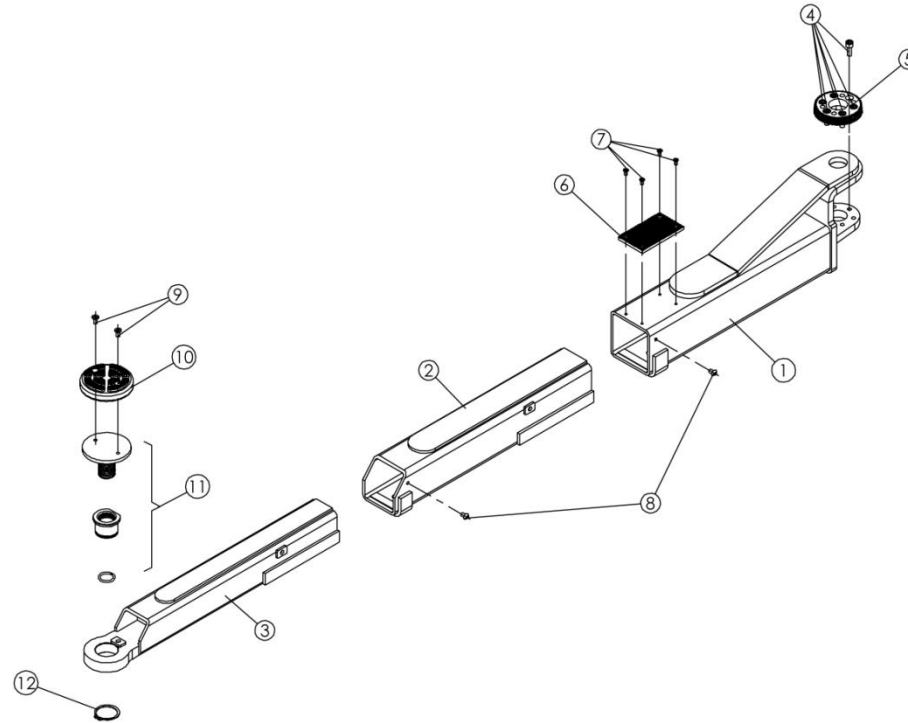


BN-3.55PS-3 Carriage Assembling Explosion Drawing List

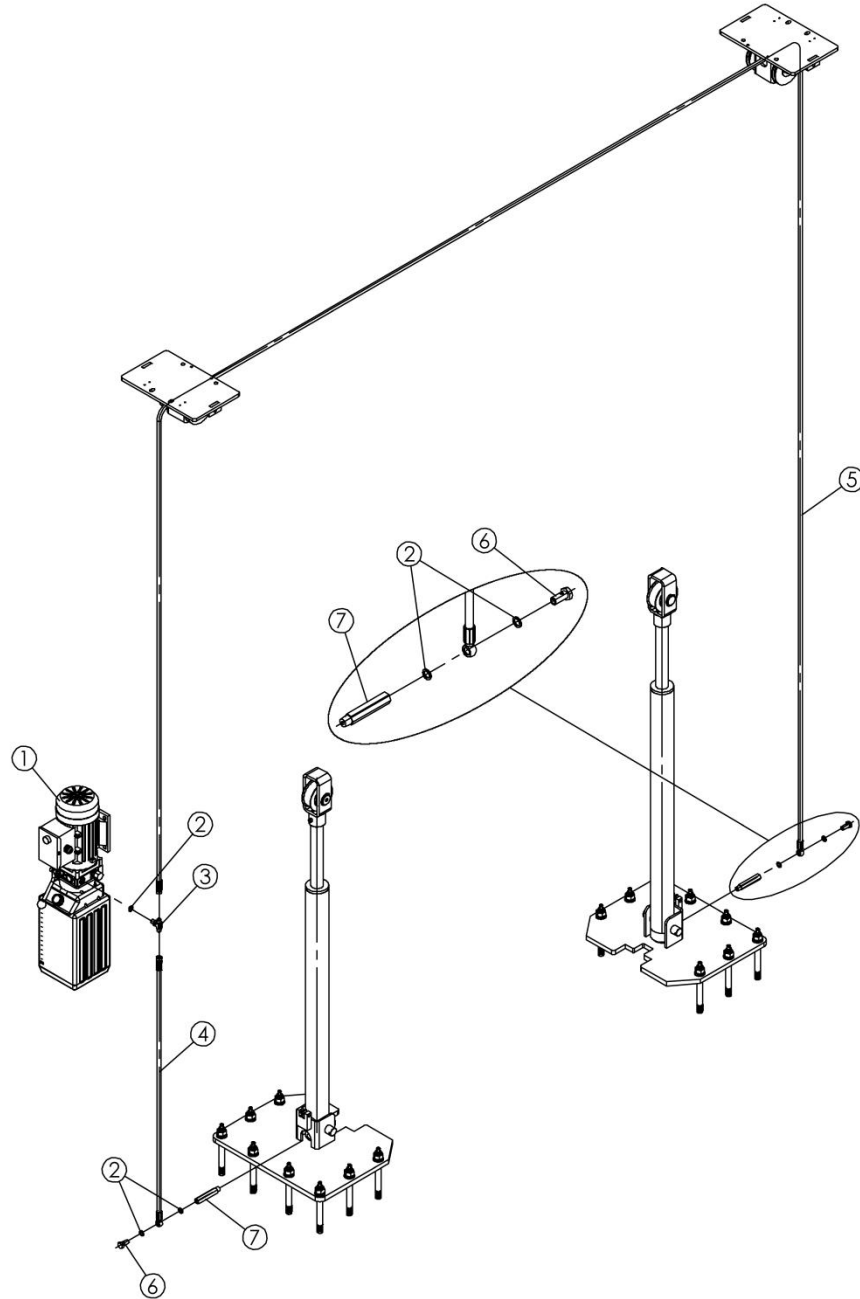
No	Item	Name	Size	Qty	Remark
1	BN-3.55PS-A-2000-01-00	Carriage Welding	374*465*1475	1	painting
2	BN-2.60PA-A-2000-03	Slider Block	35*35*95	8	
3	BN-2.40PA-A-2000-01-02	Car Protection Rubber Pad	200*365*7	1	
4	Non	Cross Falt Head Screw	M8*12	4	galvanization
5	BN-2.60PA-A-2000-04	Arm Pin	∅42*219	2	galvanization
6	Non	Circlip	∅40	2	blackening
7	BN-2.60PA-A-2000-05	Release Lock Pin	∅22*310	2	galvanization
8	Non	Spring Pin	5*35	2	blackening
9	BN-2.40PM-A-2000-04	Carriage Pressure Spring	∅28*165	2	galvanization
10	BN-2.60PA-A-2000-07	Release Lock Pin Limited Block	60*70*10	2	galvanization
11	BN-2.40EM-A-2000-07	Arm Gear	54*39*30	2	galvanization
12	BN-2.60PA-A-2000-06	Gear Gasket	∅32*4	2	galvanization
13	Non	Split Washer	∅15*1.5	2	blackening
14	BN-2.60PA-A-2000-02	Carriage Slider Base Plate	35*180*12	4	painting
15	Non	Flat Gasket	M10	8	galvanization
16	Non	Spring Washer	M10	8	galvanization
17	Non	Allen Bolt	M10*30 (10.9及)	8	galvanization



No	Item	Name	Size	Qty	Remark
1	BN-2. 55PS-A-3000-01-00	Left Outside Arm Welding	230*136*697.5	1	painting
2	BN-2. 55PS-A-3000-02-00	Left Middle Arm Welding	114*116*610	1	painting
3	BN-2. 55PS-A-3000-03-00	Left Inside Arm Welding	92*100*725	1	painting
4	Non	Allen Bolt	M10*20 (8.8级)	6	galvanization
5	BN-2. 60PA-A-3000-05	Arm Gear	106.25*51.63*18	1	galvanization
6	BN-2. 40PA-A-3000-08	Outside Arm Rubber Pad	75*128*8	1	
7	Non	Cross Falt Head Screw	M6*12	4	galvanization
8	Non	Hex Socket Flat Round Head Screw	8*12	2	galvanization
9	Non	Phillips Countersunk Screw	8*16	2	galvanization
10	BN-2. 40PM-A-3000-03-02	Rubber Pad	Ø117*28	1	
11	BN-2. 40PM-A-3000-03-00A	Pick Up Pad	Ø107*74	1	
12	Non	Circlip	Ø50	1	blackening

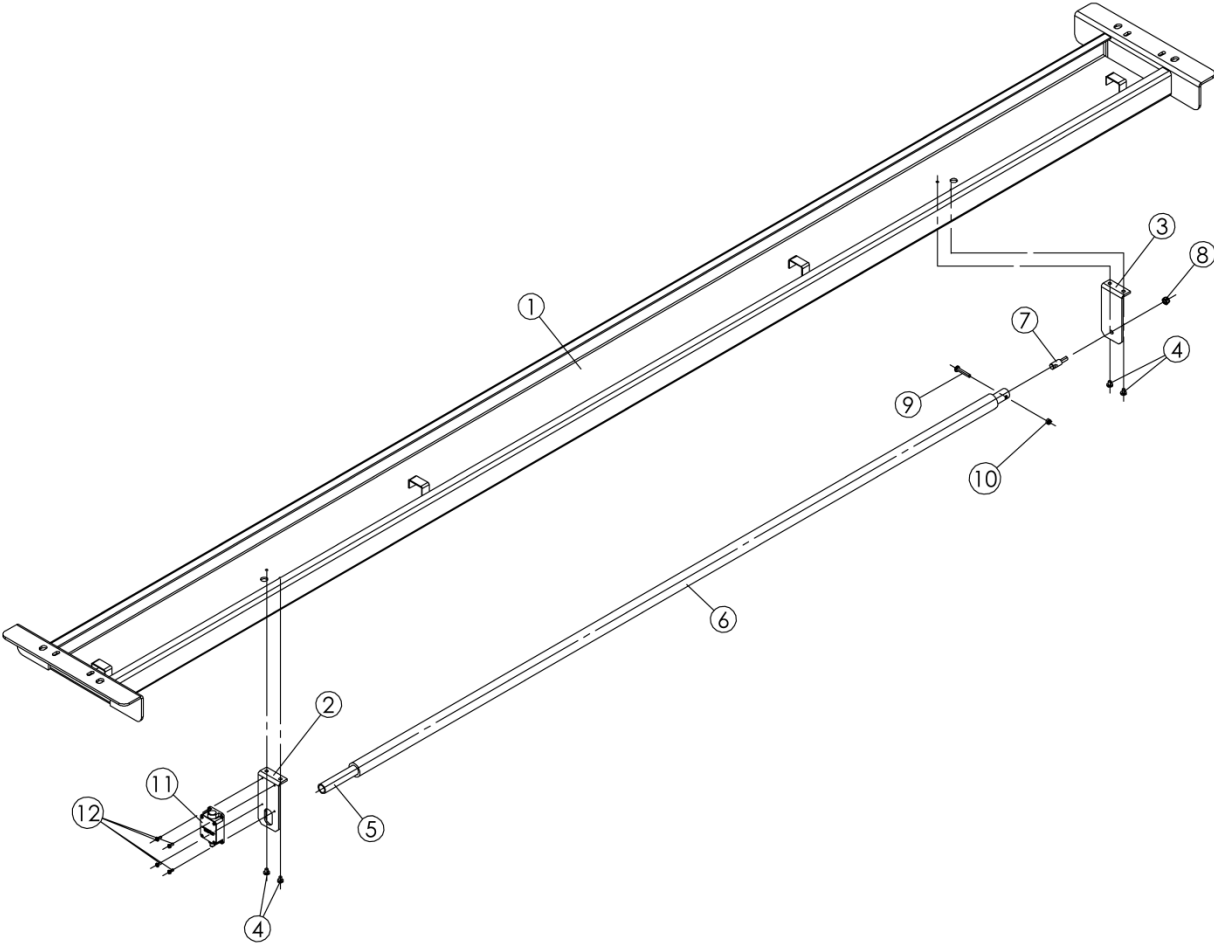


No	Item	Name	Size	Qty	Remark
1	BN-2. 55PS-A-3000-01-00A	Right Outside Arm Welding	230*136*697.5	1	painting
2	BN-2. 55PS-A-3000-02-00A	Right Middle Arm Welding	114*116*610	1	painting
3	BN-2. 55PS-A-3000-03-00A	Right Inside Arm Welding	92*100*725	1	painting
4	Non	Allen Bolt	M10*20 (8.8级)	6	galvanization
5	BN-2. 60PA-A-3000-05	Arm Gear	106.25*51.63*18	1	galvanization
6	BN-2. 40PA-A-3000-08	Outside Arm Rubber Pad	75*128*8	1	
7	Non	Cross Falt Head Screw	M6*12	4	galvanization
8	Non	Hex Socket Flat Round Head Screw	8*12	2	galvanization
9	Non	Phillips Countersunk Screw	8*16	2	galvanization
10	BN-2. 40PM-A-3000-03-02	Rubber Pad	Ø117*28	1	
11	BN-2. 40PM-A-3000-03-00A	Pick Up Pad	Ø107*74	1	
12	Non	Circlip	Ø50	1	blackening



BN-3.55PS-6 Hydraulic System Explosion Drawing List

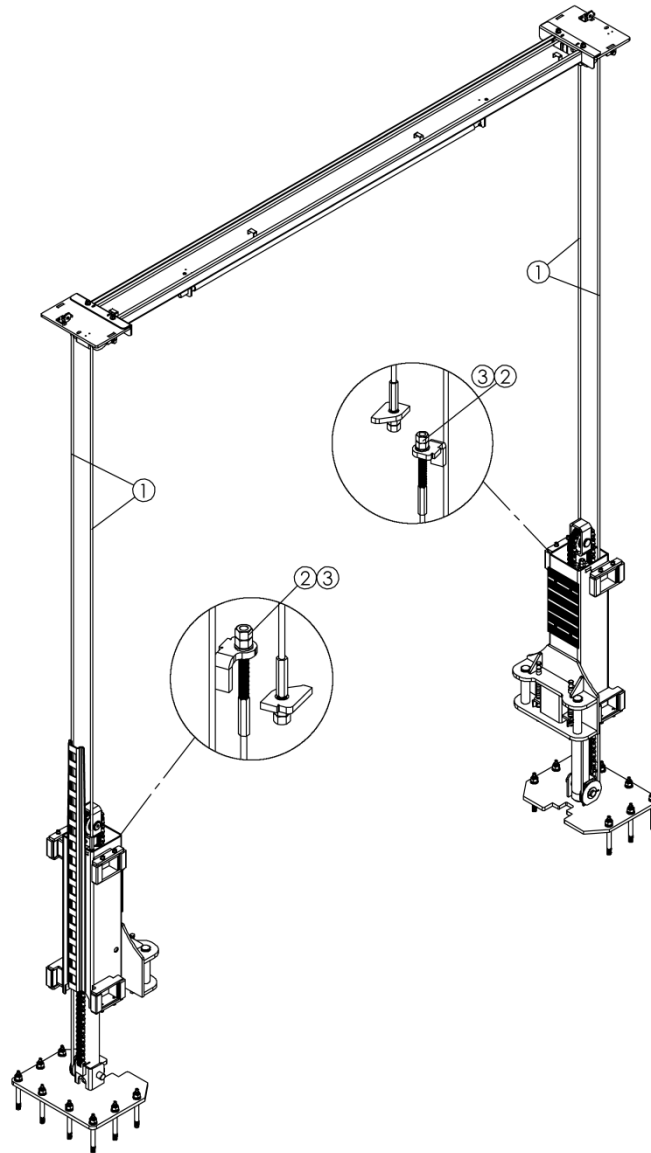
No	Item	Name	Size	Qty	Remark
1a	Non	Power Unit	220/230V, 2.2Kw, 50Hz	1	
1b	Non	Power Unit	380/400V, 2.2Kw, 50Hz	1	
2	Non	Combined Washer	M14	5	
3	BN-3.40EA-A-7000-02	Three-way Joint	3-M14X1.5*49.5*56	1	galvanization
4	BN-2.40ES-A-7000-01	Cylinder-Oil Hose 1220	∅14.5-M14*1.5-L=1220	1	
5	BN-3.55PS-A-6000-02	Oil Hose 10915	∅14.5-M14*1.5-L=10915	1	
6	BN-2.40EM-A-7000-06	Cylinder-Oil Hose Joint	M14*1.5-L=38	2	galvanization
7	BN-2.40EM-A-7000-07	Cyliner Joint	ZG3/8-L=110	2	galvanization



BN-3.55PS-35 Column Top Connection Assembling Explosion Drawing List

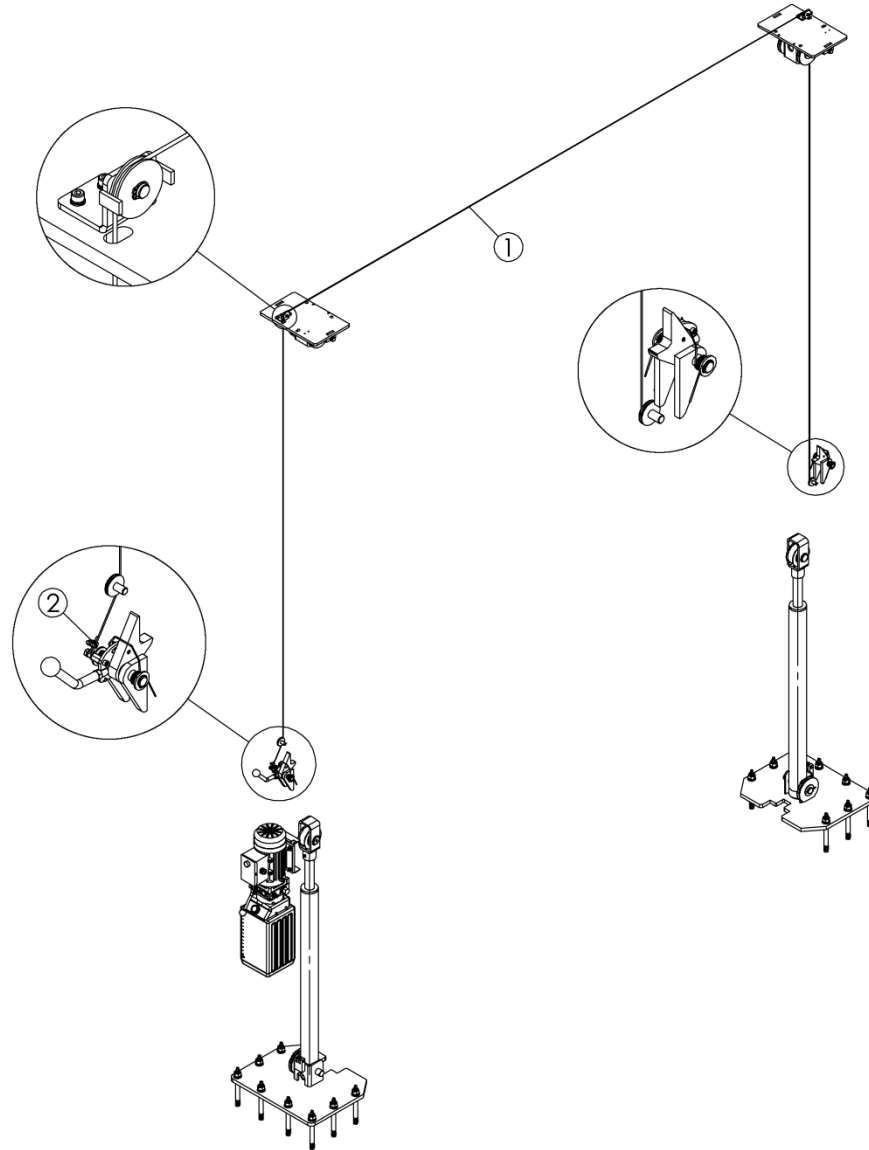
No	Item	Name	Size	Qty	Remark
1	BN-3.55PS-A-4000-01-00	Column Top Connection Welding	35360*23118*70	1	painting
2	BN-3.40EM-A-4000-03	Limited Switch Tube Shelf	125*60*25	1	painting
3	BN-3.40EM-A-4000-04	Limited Switch Tube Shelf A	125*60*25	1	painting
4	Non	Phillips Head Screw	M6*8	4	galvanization
5	BN-3.40EM-A-4000-05	Limited Switch Tube	∅21*1985	1	painting
6	BN-3.40EM-A-4000-08	Foam Tube	∅40*1800	1	
7	BN-3.40EM-A-4000-06	Limited Switch Tube Screw	∅12*44	1	galvanization
8	Non	Tighten Nut	M8	1	galvanization
9	Non	Phillips Head Screw	M6*35	1	galvanization
10	Non	Tighten Nut	M8	1	galvanization
11	BN-3.40EM-A-4000-07	Limited Switch	LX19-001 250VAC 5A	1	
12	Non	Phillips Head Screw	M4*10	4	galvanization

BN-3.55PS-A Lift Steel Cable Explosion Drawing



No	Item	Name	Size	Qty	Remark
1	BN-3.55PS-A-6000-01	Steel Cable 12170	Ø10*12170	2	galvanization
2	Non	Flat Gasket	M16	4	galvanization
3	Non	Nut	M16	4	galvanization

BN-3.55PS-A Safety Lock Steel Cable Explosion Drawing



No	Item	Name	Size	Qty	Remark
1	BN-3.55PS-A-6000-03	Steel Cable 9500mm	Ø2*9500	1	assembling
2	Non	Ø2 Steel Cable Clip	Ø2	1	galvanization