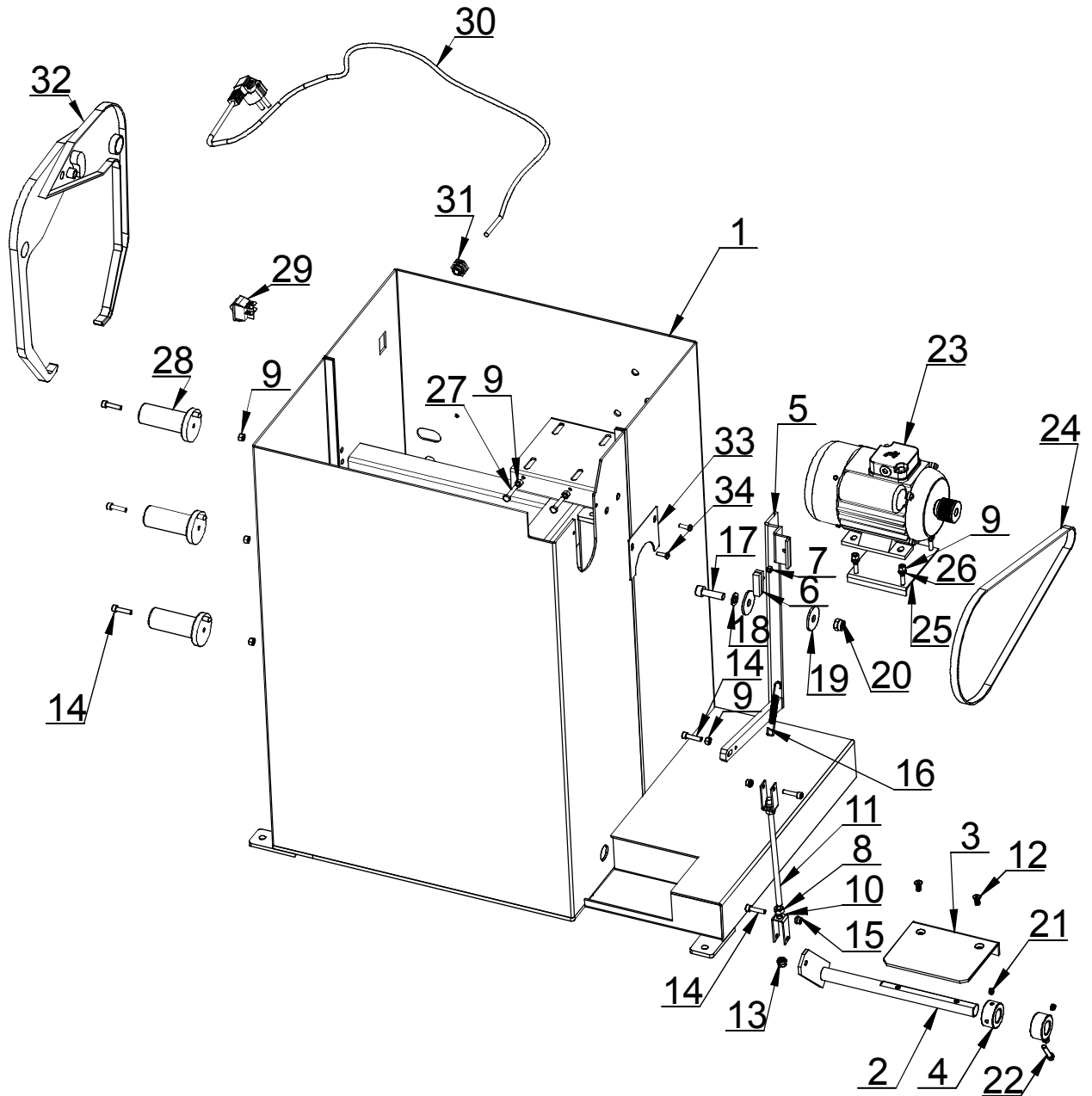
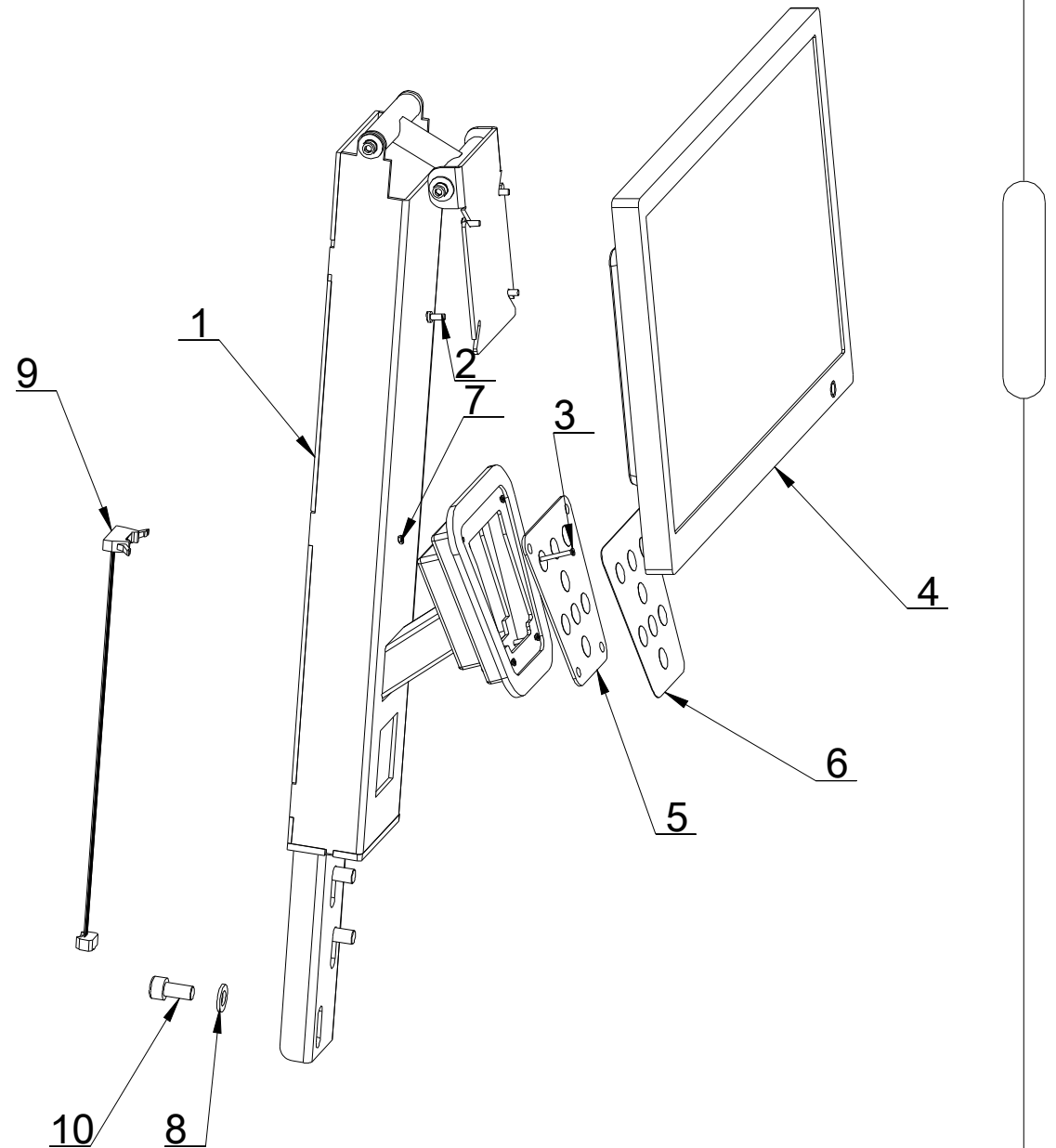


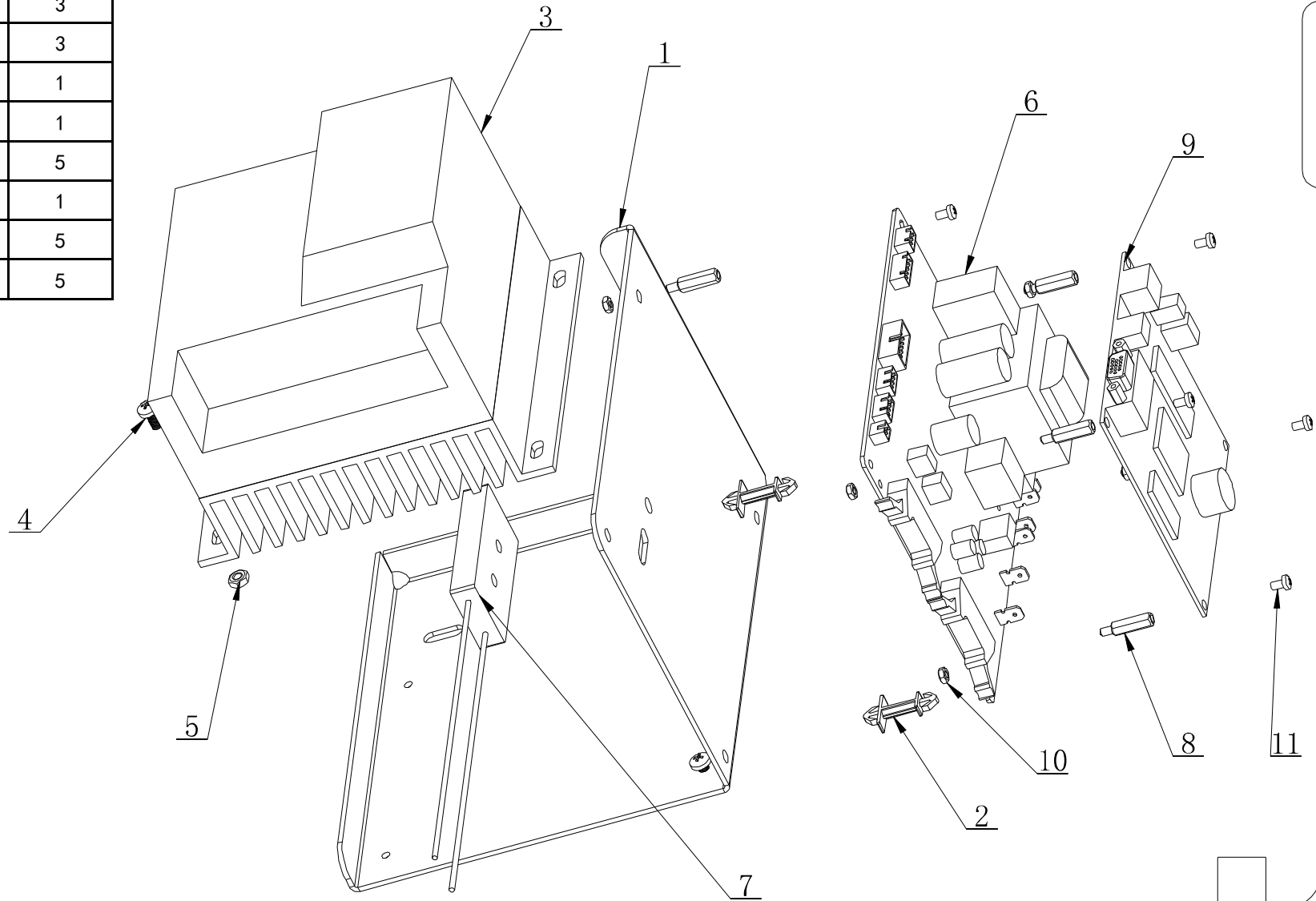
ITEM	DESCRIPTION	PART NO	Q'TY
1	Body	2066019	1
2	Foot lever	2064939	1
3	Brake pedal	2064962	1
4	Brake ring	2064941	2
5	Brake lever	2064944	1
6	Brake pads	3005142	1
7	Hex nut GB41 /M5	6000125	1
8	Hex nut GB41 /M8	6000127	2
9	Hex nut GB41 /M6	6000309	11
10	Connecting	2064942	2
11	Connecting rod	2064955	1
12	Bolt GB2673 M6X12	6000417	2
13	Hex nut GB889-M8	6000148	2
14	Bolt GB70/M6X25	6000294	6
15	Hex nut GB889/M6	6000233	2
16	Tension spring	2010701	1
17	Bolt GB70/M10X60	6000289	1
18	Flat washer Φ10	6000134	1
19	Flat washerΦ38x10x3	2037401	2
20	Hex nut GB889 M10	6000143	1
21	Bolt GB80/M6X12	6000230	2
22	Bolt GB70/M6X35	6000207	1
23	Motor MY6324	4003001	1
24	Belt 380J5	6000171	1
25	Fixed seat	2034501	1
26	Flat washerΦ6	6000138	4
27	Bolt GB70/M6X35	6000120	2
28	Holder	2034301	3
29	Power Switch	4000801	1
30	Plug	4001901	1
31	Cable glands	4000901	1
32	Caliper	3005056	1
33	Small Side plate	2043601	1
34	Bolt GB818 M5*16	6000271	2



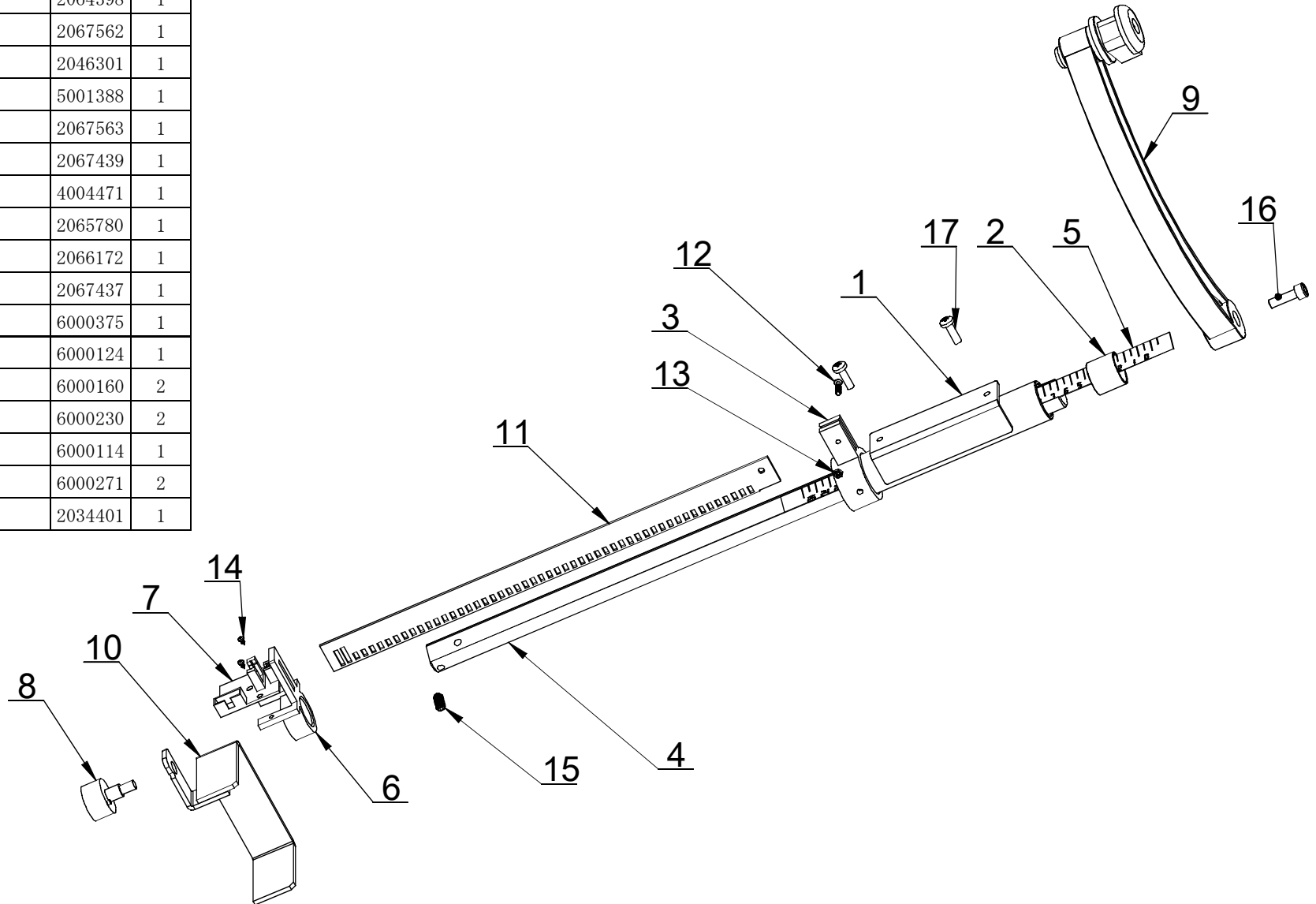
ITEM NO	DESCRIPTION	Q'TY
1	Support	1
2	Bolt GB818 M4X10	4
3	Bolt GB819 M3X20	4
4	LCD Complete	1
5	display key board	1
6	Key film	1
7	Hex nut GB41 M3	4
8	Washer GB95/Φ10	3
9	Key control line	1
10	Bolt GB70 M10X20	3



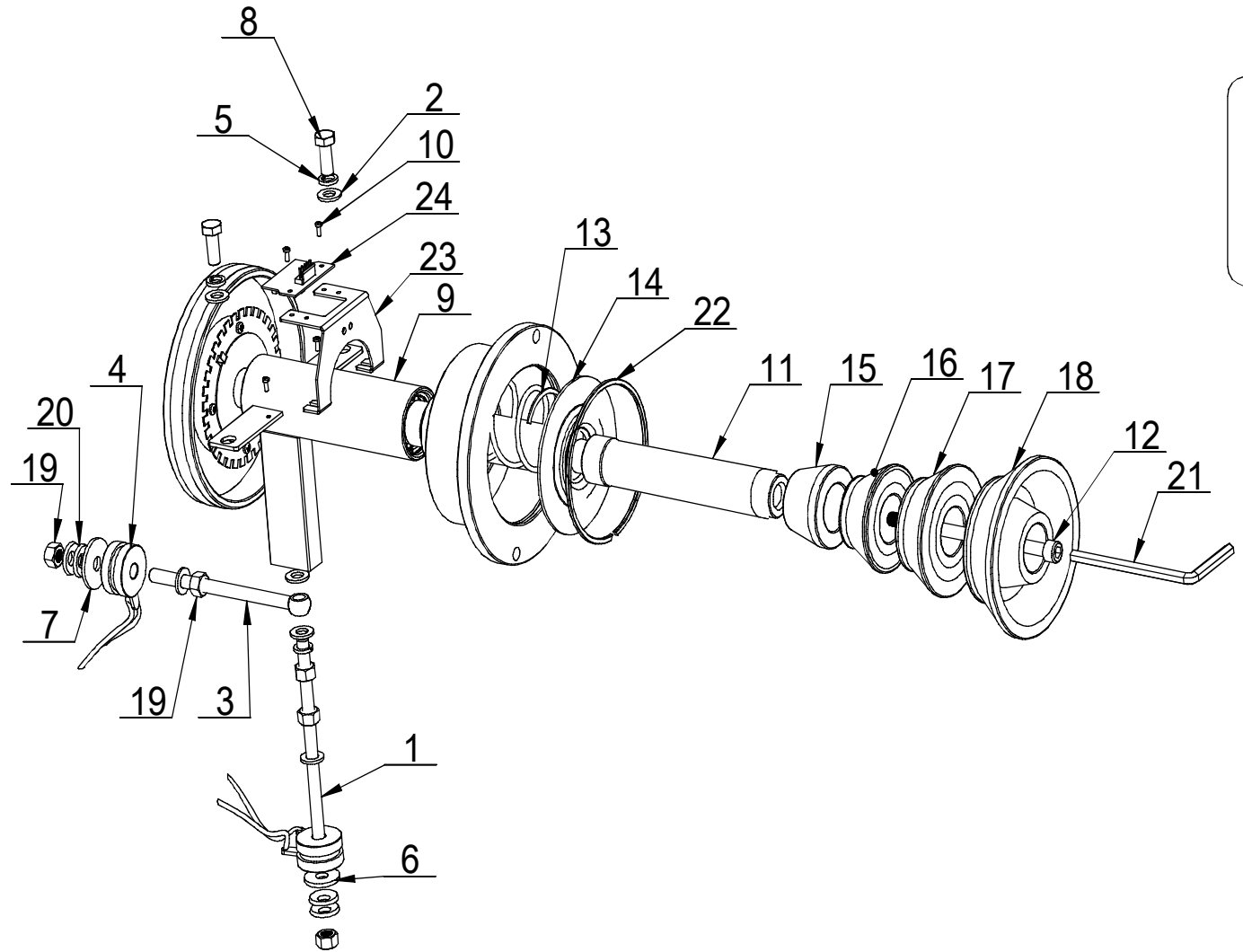
ITEM NO	DESCRIPTION	Q'TY
1	Power box	1
2	Support	3
3	Driving module	1
4	Bolt GB819 M4X15	3
5	Hex nut GB41 M4	3
6	Computer bard	1
7	Resistor	1
8	Spacer column	5
9	Display card	1
10	Hex nut GB41 M3	5
11	Bolt GB819 M3X10	5



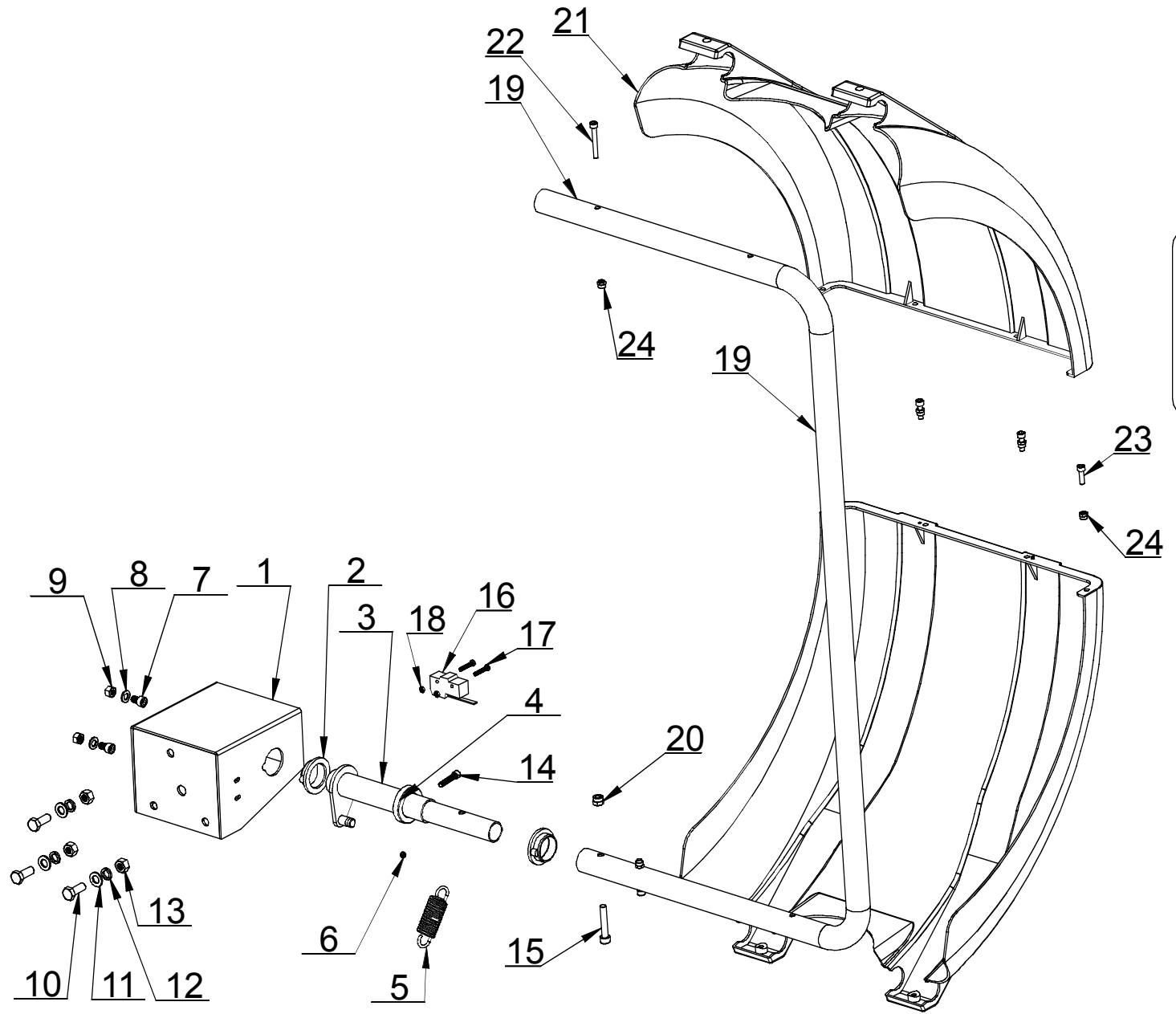
ITEM NO	DESCRIPTION	PART NO.	Q'TY
1	Sleeve	2064812	1
2	Slide bearing	2064398	1
3	Support	2067562	1
4	Aluminum ruler rod	2046301	1
5	Footage number	5001388	1
6	Circuit board-support	2067563	1
7	Distance pick-up board	2067439	1
8	Potentiometer RV24/202	4004471	1
9	Complete ruler head	2065780	1
10	Potentiometer support	2066172	1
11	Grating ruler	2067437	1
12	Bolt M3X10	6000375	1
13	Hex nut GB41 M3	6000124	1
14	Bolt GB845 ST4. 2X16	6000160	2
15	Bolt GB80 M6X12	6000230	2
16	Bolt GB70 M6X20	6000114	1
17	Bolt GB818M5*16	6000271	2
18	Tension spring	2034401	1



ITEM NO	DESCRIPTION	PART NO.	Q'TY
1	Screw M10X160	6000201	1
2	Flat washerGB95/Φ10	6000134	6
3	Horizontal screw M10X160	6000176	1
4	Pressure sensor	4001701	2
5	Spring washer GB93/Φ10	6000197	3
6	Spring washer GB93Φ30x10x3	2052501	1
7	Spring washer GB93Φ38x10x3	2037401	1
8	Screw GB5783 M10X25	6000184	2
9	Complete axle	2032901	1
10	Bolt GB818/M4X10	6000267	4
11	Thread hub	2042201	1
12	Bolt GB70/M10X160	6000259	1
13	Tower spring	2042801	1
14	Plastic lid	3005013	1
15	Conic NO.1	2033401	1
16	Conic NO.2	2033501	1
17	Conic NO.3	2033601	1
18	Conic NO.4	2033701	1
19	Hex nut GB41 M10	6000336	5
20	Copper backing	6000159	4
21	Allen wrench	6000169	1
22	Retaining ring	2067389	1
23	Support	2034001	1
24	Position pick-up board	5000401	1



ITEM NO	DESCRIPTION	PART NO.	Q'TY
1	Protection box	2043701	1
2	Plastic ferrule	3002301	2
3	Shaft	2036601	1
4	Ferrule	2034201	1
5	Tension spring	2053501	1
6	Bolt GB80/M6X10	6000130	1
7	Bolt GB70/M8X20	6000102	2
8	washer GB95/Φ8	6000142	2
9	Hex nut GB41 M8	6000127	2
10	Screw GB5783 M10X25	6000184	3
11	washer GB95/Φ10	6000134	3
12	Spring washer GB93/Φ10	6000197	3
13	Hex nut GB41 M10	6000123	3
14	Bolt GB5783 M6X35	6000207	1
15	Bolt GB70 M8X45	6000435	1
16	Micro switch	4004436	1
17	Bolt GB818 M4X30	6000430	2
18	Hex nut GB41 M4	6000341	2
19	Bend pipe	2033301	1
20	Hex nut M8	6000127	1
21	Plastic cover (0716)	3002501	2
22	Bolt GB70 M6X45	6000435	2
23	Bolt GB70 M6X20	6000114	4
24	Hex nut M6	6000309	6



ITEM NO	DESCRIPTION	PART NO.	Q' TY
1	Package box	7000114	1
2	Conic 4	2033701	1
3	Conic 3	2033601	1
4	Conic 2	2033501	1
5	Conic 1	2033401	1
6	Locking nut	2042901	1
7	Thread rod	2042201	1
8	Plastic bowl	3005018	1
9	Rubber buffer	3005019	1
10	Hammer	4003601	1
11	Counterweight	6000210	1
12	Spanner	6000169	1

