



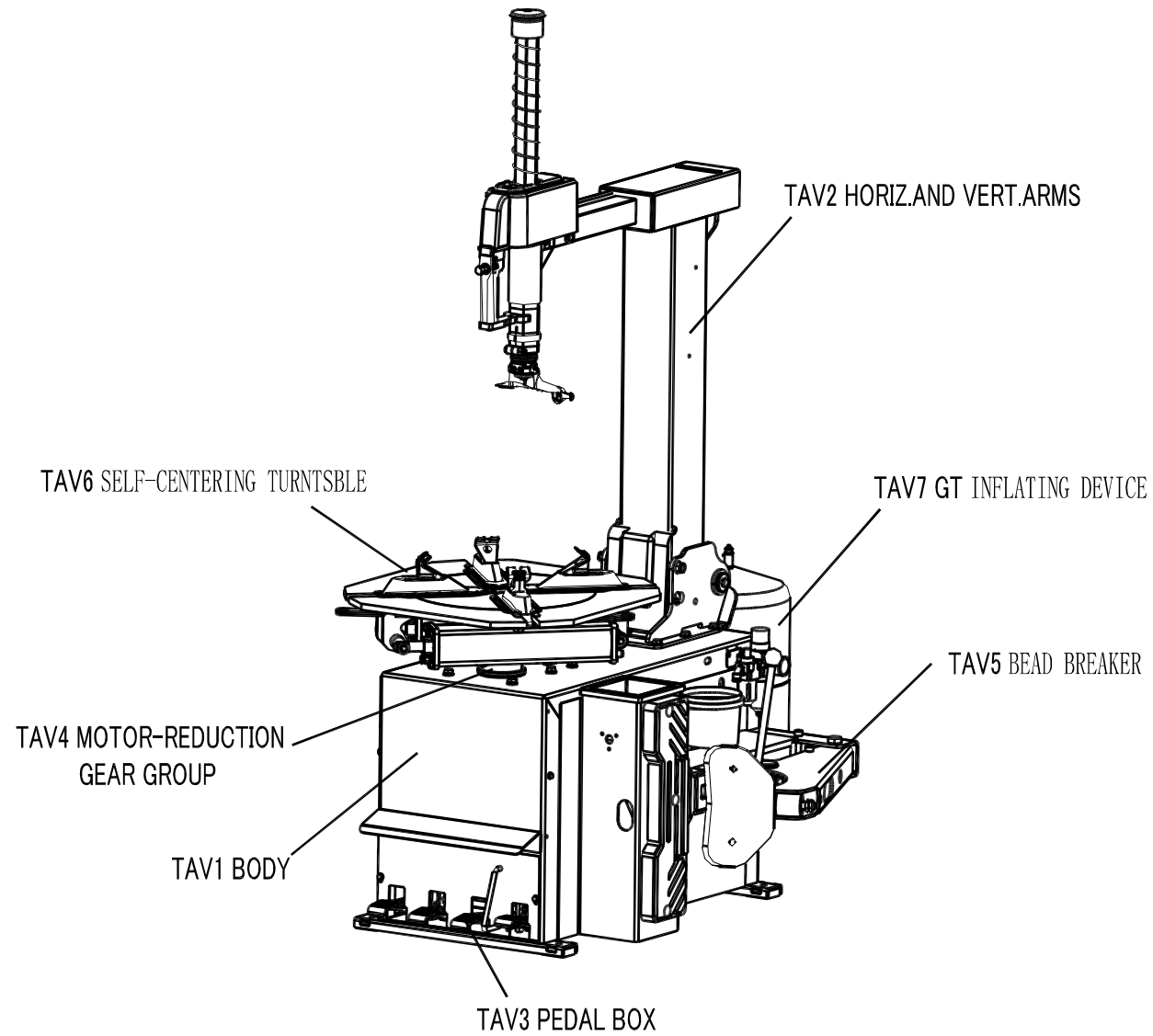
АВТОМАТИЧЕСКИЙ ШИНОМОНТАЖНЫЙ СТАНОК

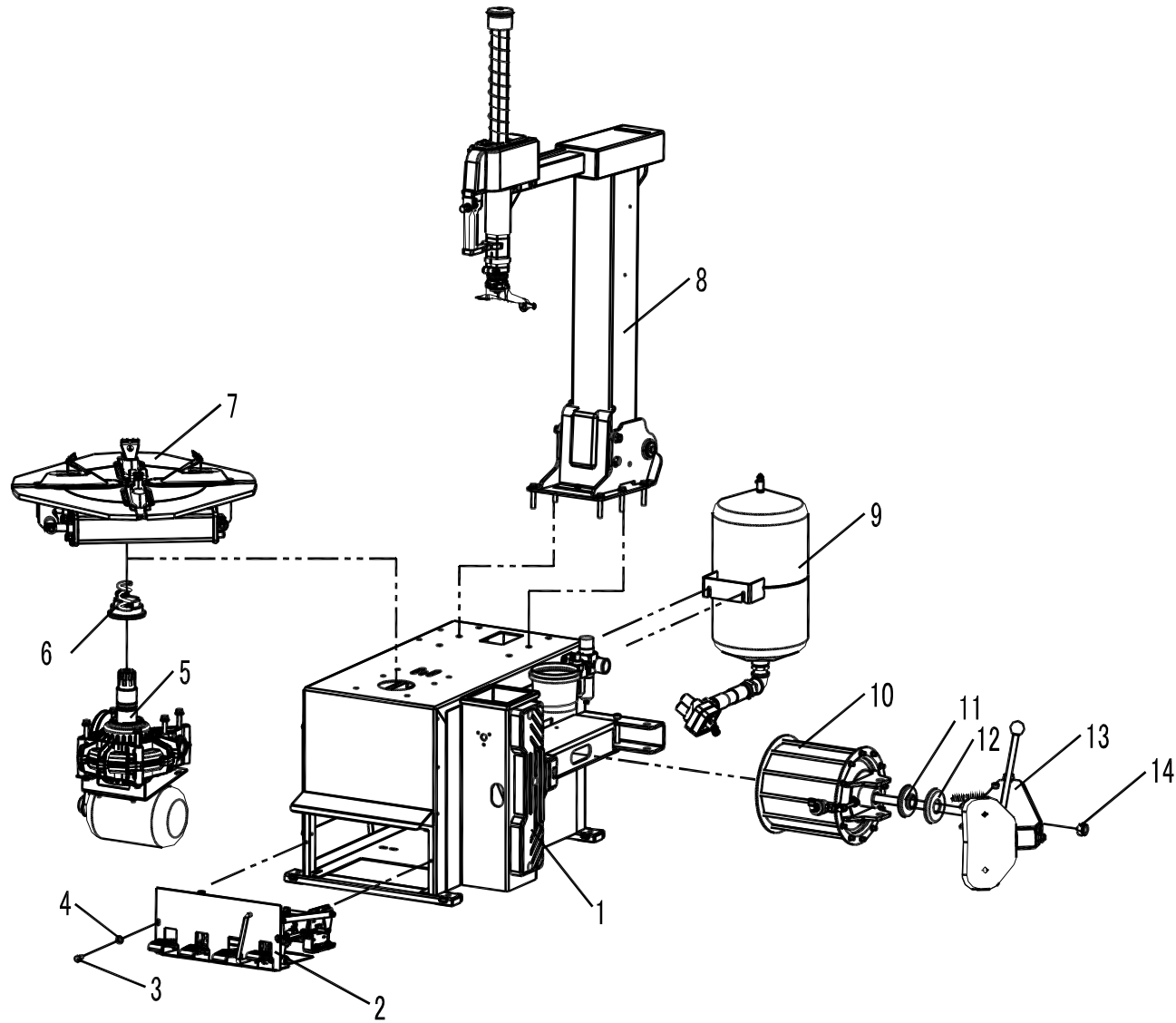
КС-402 А Про



КАТАЛОГ ЗАПЧАСТЕЙ

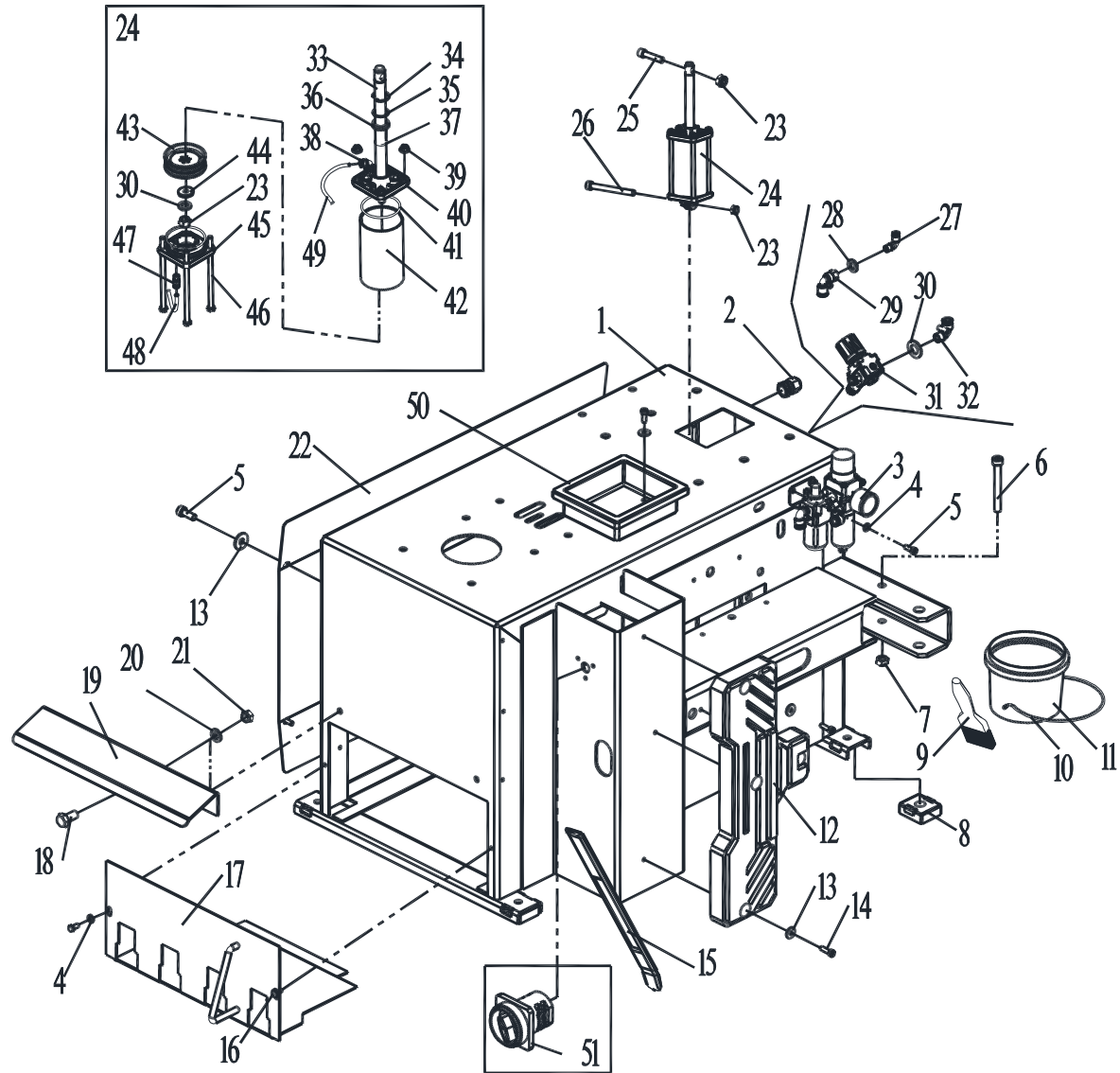
EAC





TAV.0.2	TIRE CHANGER ASSEMBLY	ED. 01/23
---------	-----------------------	-----------

ITEM	PART NUMBER	DESCRIPTION	QTY	REMARK
1	202B-2015577	Shell	1	
2	YC3-2005000	Pedal control unit	1	
3	0201011	Screw M6X12	2	
4	0205007	Washer D.6	2	
5	YC1-2002000	Motor – Reduction gear group	1	
6	YC1-2003000	Rotation union	1	
7	YC1-2015845	Turntable	1	
8	202W-2001202B	Horiz. And vert. Arms	1	
9	C22A070000	Air tank unit	1	Request
10	C00AQ10000	Bead breaker cylinder	1	
11	106B-3006001	Shock absorber	1	
12	106B-3006002	Absorber protection	1	
13	YC1-2006001	Bead breaker arm assembly	1	
14	0204009	Self-locking nut M18	1	

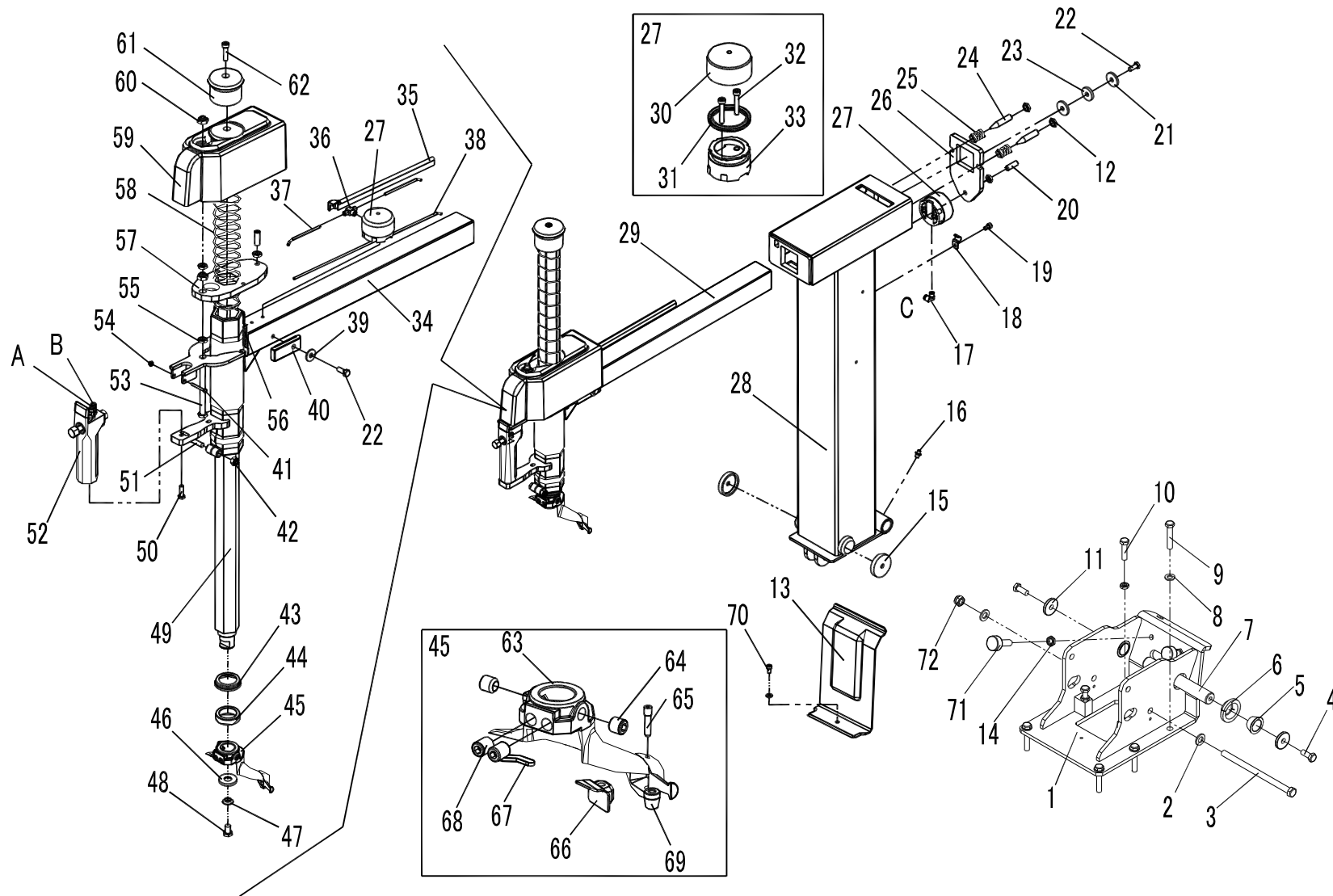


TAV.1.0	BODY	ED. 01/23
---------	------	-----------

ITEM	PART NUMBER	DESCRIPTION	QTY	REMARK
1	106B-2401001	Shell	1	
2	0507115	Cable relief	1	
3a	C00AQ52000	SMC lubricator + filter regulator	1	
3b	C00AQ53000	SMC lubricator + filter regulator(Quick union)	1	
4	0205006	Washer D.6 - GB/T97.1	4	
5	0202032	Screw M6X16 - GB/T70.1	7	
6	0202067	Screw M10X85 - GB/T70.1	1	
7	0204005	Nut M10 - GB/T889.1	1	
8	YC1-3002099	Plastic foot	4	
9	0511063	Grease brush	1	
10	YC1-3000069	Spring	1	
11	YC1-4299984	Grease cup	1	
12	YC1-3002102	Wheel support	1	
13	0205007	Washer D.6 - GB/T96	8	
14	0202033	Screw M6X20 - GB/T70.1	4	
15	0511242	Bead lifting lever	1	
16	0201011	Screw M6X12 - GB/T5783	2	
17	YC3-2412452-C	Pedal support	1	
18	0201026	Screw M8X16 - GB/T5783	2	
19	YC1-3011970-1	Front panel	1	
20	0205008	Washer D.8 - GB/T97.1	2	
21	0203029	Nut M8 - GB/T6170	2	
22	YC1-3001800	Side cover	1	
23	0204007	Nut M12	3	
24	YC2-2002831	Tilting cylinder D.75	1	
25	0202077	Screw M12X55	1	
26	0202069	Screw M12X120-GB/T70.1	1	

TAV.1.0	BODY		ED. 01/23
---------	------	--	-----------

27	0306035	90° quick union 4-1/8	1	
28	0205011	Washer D.10 - GB/T97.1	1	
29	0306034	90° union 8-1/8	1	
30	0205013	Washer D.12 - GB/T97.1	2	
31	C00AQ58000	Safety valve unit 3.5bar	1	optional
32	0306037	90° quick union 8-1/4	1	
33		Piston rod	1	
34	0211004	Seeger D.30 - GB/T893.1	1	
35		Bush 2010	1	
36		Scraper 20X30X7	1	
37		O-ring 20X2.5	1	
38	0306046	Union 6-1/8	1	
39	0204004	Nut M8 - GB/T6177.1	4	
40	QC-75-01	Flange	1	
41		O-ring 75X2.4	2	
42		Cylinder liner	1	
43		Piston	1	
44	YC1-4198857	Washer	1	
45	QC-75-02	Back flange	1	
46		Screw M8X162	4	
47	0306036	90° quick union 6-1/8	1	
48	0306095	Rilsan hose 6X4 L=1100	1	
49	0306095	Rilsan hose 6X4 L=1200	1	
50	202W-3018260	Plastic cover	1	
51	0505008	Dual speed switch	1	optional



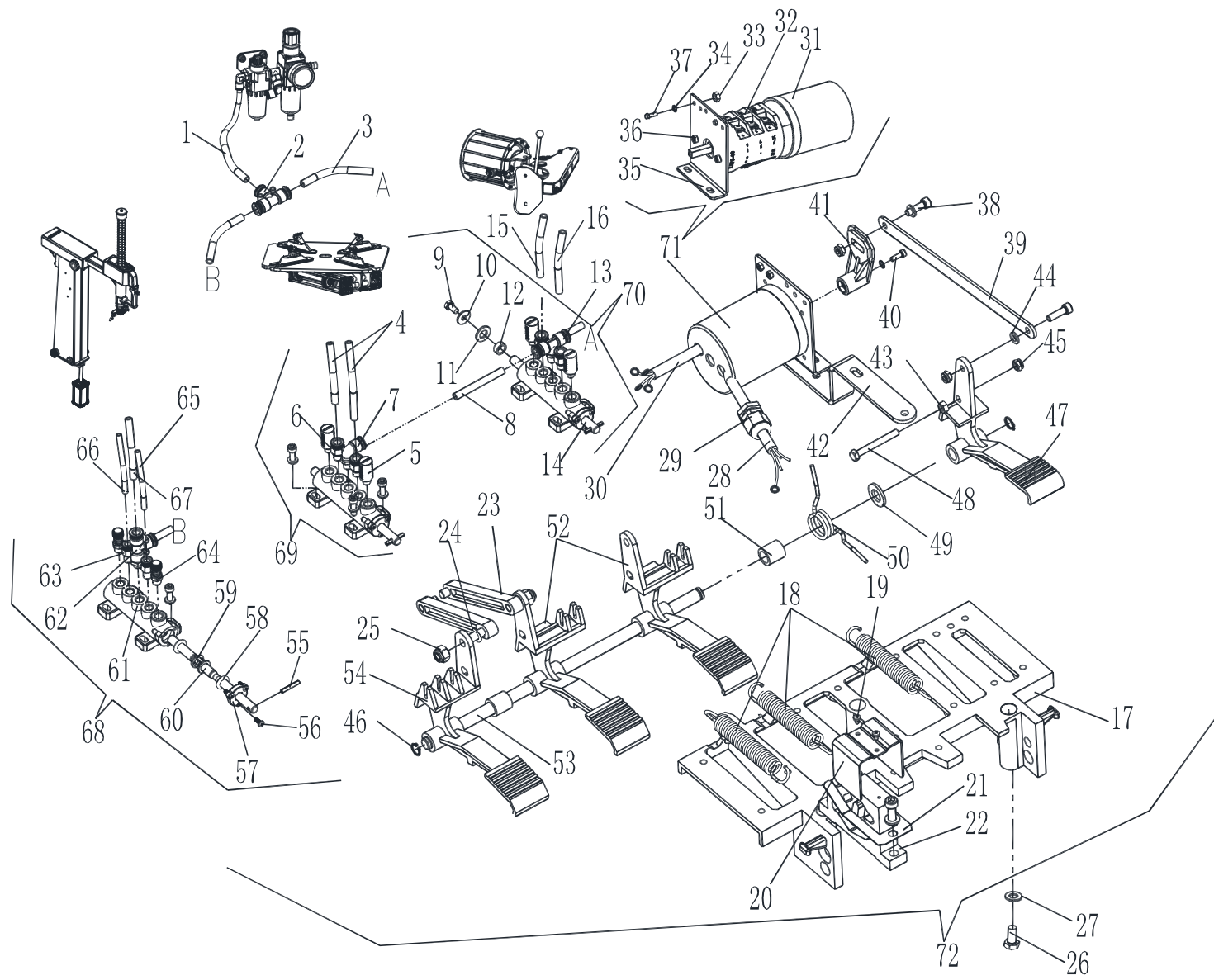
ITEM	PART NUMBER	DESCRIPTION	QTY	REMARK
1	C22A030100	Post support	1	
2	0205013	Washer D.12 - GB/T97.1	2	
3	0201207	Screw M12X190 - GB/T5783	1	
4	0201064	Screw M10X25 - GB/T5783	2	
5	C33A000006	Conical bush	2	
6	C33A000005	Pin washer	2	
7	YC3-3015668	Pin	1	
8	0205011	Washer D.10 - GB/T97.1	6	
9	0201055	Screw M10X55 - GB/T5782	6	
10	0201068	Screw M10X40 - GB/T5783	2	
11	YC2-3000495	Washer	2	
12	0204016	Nut M12 - GB/T6172.1	2	
13	YC2-3012450	Protection	1	
14	0204016	Nut M12 - GB/T6172.1	2	
15	202W-3017972	Plastic spacer	1	
15a	202W-3017973	Plastic spacer 1.5	1	
15b	202W-3017974	Plastic spacer 2.0	1	
16	0215021	Greaser M8X1	1	
17	0306035	90° quick union 4-1/8	1	
18	C00A000016	Clamp	1	
19	0202030	Screw M6X10 - GB/T70.1	1	
20	0209022	Screw M10X30 - GB/77	2	
21	YC2-4399947	Washer	2	
22	0201042	Screw M8X20 - GB/T5783	2	
23	YC2-3000181	Washer	1	
24	0202021	Screw M5X20 - GB/T70.1	2	
25	YC3-3005408	Spring	2	

TAV.2.0	HORIZ. AND VERT. ARMS		ED. 01/23
---------	-----------------------	--	-----------

26	YC2-3015676	Arm locking plate	1
27	YC2-2099665	Locking cylinder	2
28	202W-2417966-A	Vertical post	1
29	YC3-2004010	Horizontal arm	1
30	YC2-4299524	Cylinder liner	2
31	YC2-4299522	Sealing ring	2
32	0202027	Screw M6X35 - GB/T70.1	4
33	YC2-4299523	Piston	2
34	YC3-2415594A	Horizontal arm	1
35	C200000004	Guide	1
36	0306063	Tee rotation union 4-1/8	1
37	0306149	Rilsan hose 4X2.5 L=1300	1
38	0306126	Rilsan hose 4X2 L=2350	1
39	0205009	Washer D.8 - GB/T96	1
40	YC2-3007935	Limit block	1
41	0201003	Screw M4X35 - GB/T5781	1
42	0204004	Nut M8 - GB/T889.1	1
43	YC1-3002601	Shock absorber	1
44	YC1-3002602	Shock absorber protection	1
45	YC1-2002215	Mounting tool unit	1
46	YC1-4295804	Conical washer	1
47	YC1-4295805	Spherical washer	1
48	0201062	Screw M10X20 - GB/T5783	1
49	YC3-3015566	Hexagonal arm	1
50	0201129	Screw M6X20	1
51	0201037	Screw M8X40 - GB/T5782	1
52	YC2-2008335	Arm control valve	1

TAV.2.0	HORIZ. AND VERT. ARMS		ED. 01/23
---------	-----------------------	--	-----------

53	0213043	Screw M10X135	1
54	0204001	Locking nut M4 - GB/T889.1	1
55	0204012	Nut M10 - GB/T6172.1	7
56	YC2-3002273	Spring	2
57	YC2-3006106	Arm locking plate	1
58	YC3-3005407B	Spring	1
59	YC2-3015860	Arm frame	1
60	0204005	Nut M10 - GB/T889.1	2
61	YC1-3001759	Arm knob	1
62	0202049	Screw M8X30 - GB/T70.1	1
63	YC1-3007801	Mounting tool	1
64	0209020	Screw M12X12 - GB/T80	2
65	0215031	Shaft	1
66	YC1-3006689	Plastic insert	1
67	YC1-3013650	Plastic insert	1
68	0209015	Screw M12X16 - GB/T80	2
69	0215032	Peak roller	1
70	0202030	Screw M6X10 - GB/T70.1	1
71	C22A030001	Pad	2
72	0204007	Nut M12 - GB/T889.1	1



TAV.3.0

PEDAL BOX

ED. 01/23

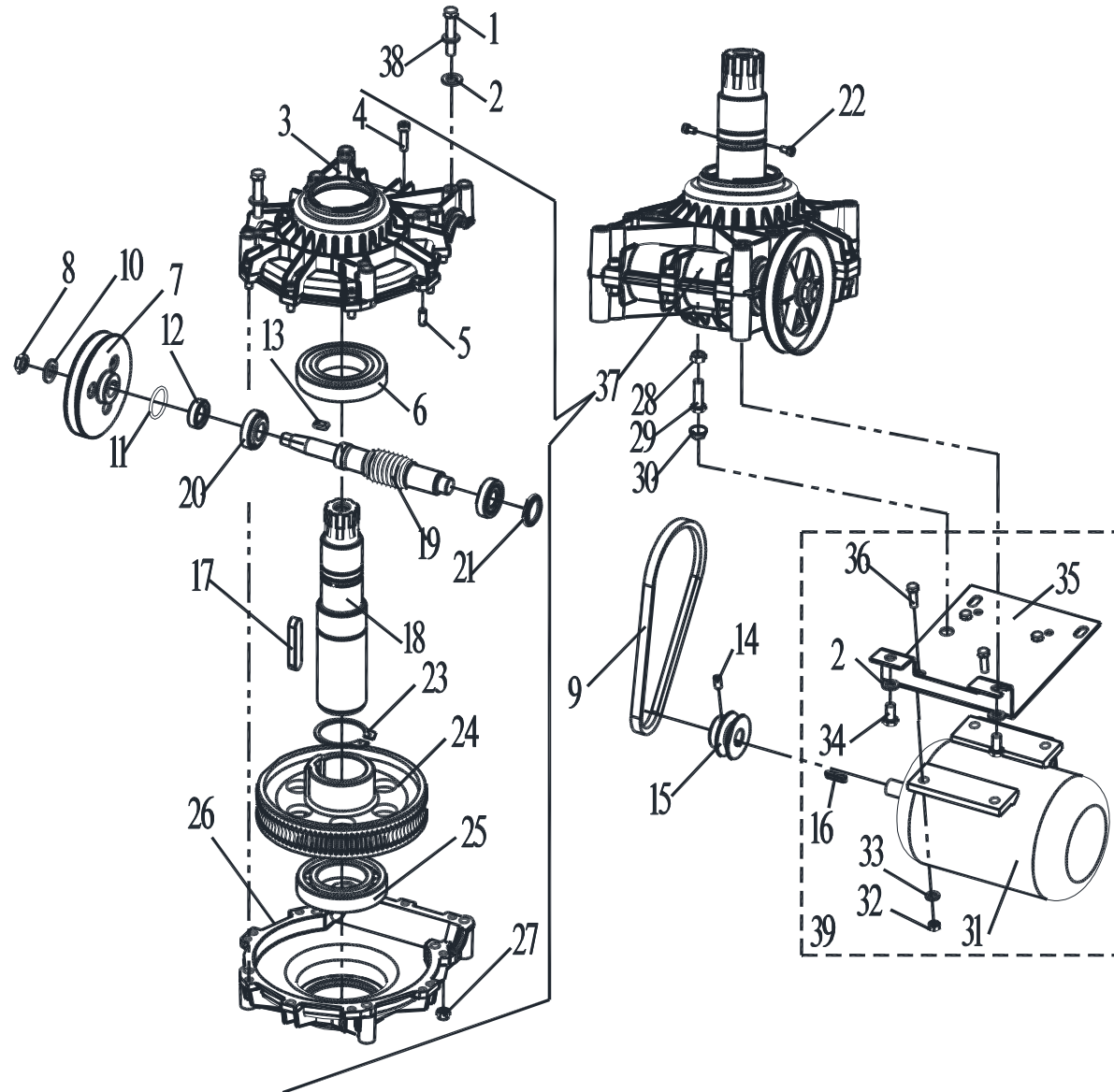
ITEM	PART NUMBER	DESCRIPTION	QTY	REMARK
1	0306097	Rilsan hose 8X5 L=1000	1	
2	0306022	Quick Tee union D.8	1	
3	0306097	Rilsan hose 8X5 L=270	2	
4	0306097	Rilsan hose 8X5 L=850	2	
5	0306059	Silencer 1/8	4	
6	0306045	Quick union 8-1/8	4	
7	0306033	90° quick union 8-R1/8	1	
8	0306097	Rilsan hose 8X5 L=70	1	
9	0201011	Screw M6X12 - GB/T5783	3	
10	0205007	Washer D.6 - GB/T96	1	
11	0205011	Washer D.10 - GB/T97.1	1	
12	YC1-4197629	Nylon washer	1	
13	0306023	Quick Tee union 8-1/8	1	
14	YC1-3007598	Valve pin 3	1	
15	0306097	Rilsan hose 8X5 L=700	1	
16	0306097	Rilsan hose 8X5 L=800	1	
17	YC1-3002161	Pedal box base	1	
18	YC1-3013333	Pedal return spring	3	
19	0207034	Self-tapping screw ST2.9X6.5 - GB/T845	2	
20	YC1-3099910	Connection rod guide	1	
21	YC2-4299910	Forked leaf spring	1	
22	YC1-4299913	Double cam	1	
23	YC1-4299912	Connection rod	2	
24	0215019	Washer D.8 - GB/T860	2	
25	0204004	Nut M8 - GB/T889.1	2	
26	0201026	Screw M8X16 - GB/T5783	3	
27	0205008	Washer D.8 - GB/T97.1	3	

TAV.3.0	PEDAL BOX		ED. 01/23
---------	-----------	--	-----------

28	0506016	Power cable L=3500	1
29	0507115	Cable relief	1
30	0506016	Motor cable L=1500	1
31	YC1-3015344	Reverser cover	1
32	0505009	Reverser 40A	1
33	0203002	Nut M4 - GB52	2
34	0211016	Washer D.4 - GB/T862.2	2
35	YC1-3015340	Reverser support	1
36	0202021	Screw M5X20 - GB/T70.1	2
37	0201004	Screw M4X12 - GB/T5781	2
38	0202033	Screw M6X20 - GB/T70.1	12
39	YC1-3015341	Connection rod	1
40	0202004	Screw M4X12 - GB/T70.1	1
41	YC1-3000175	Reverser lever	1
42	YC1-3015342	Support	1
43	0203004	Nut M6 - GB52	3
44	0205006	Washer D.6 - GB/T97.1	12
45	0204003	Nut M6 - GB/T889.1	3
46	0212001	Seeger D.12 - GB/T894.1	2
47	YC1-3002157	Pedal A	1
48	0201016	Screw M6X50 - GB/T5782	1
49	0205013	Washer D.12 - GB/T97.1	1
50	C00A000001	Pedal control spring	1
51	YC1-3007953	Bush	2
52	YC1-3002159	Pedal B	2
53	YC2-3003095	Pedal alignment pin	1
54	YC2-3002160	Pedal C	1

TAV.3.0	PEDAL BOX		ED. 01/23
---------	-----------	--	-----------

55	0213003	Elastic pin 4X25 - GB/T879.1	3
56	0207032	Self-tapping screw ST3.5X13 - GB/T845	9
57	YC1-3001585	Valve flange	3
58	YC1-4299000	O-ring 17X4	18
59	YC1-3001584	Valve spacer	15
60	YC1-3002442	Valve pin 1	2
61	YC1-3001583	Valve body	3
62	0306021	Quick Tee union 8-1/8	1
63	0306046	Quick union 6-1/8	2
64	0306013	Silencer outlet adjuster 1/8	2
65	0306095	Rilsan hose 6X4 L=1200	1
66	0306095	Rilsan hose 6X4 L=1000	1
67	0306097	Rilsan hose 8X5 L=1200	1
68	YC2-2002531	Tilting control valve unit	1
69	YC1-2002529	Turntable valve unit	1
70	YC1-2006297	Bead breaking valve unit	1
71	YC1-2002002	Reverser assembly	1
72	YC2-2006514	Pedal control unit	1



ITEM	PART NUMBER	DESCRIPTION	QTY	REMARK
1	0201069	Screw M10X55 - GB/T5780	6	
2	0205011	Washer D.10 - GB/T97.1	8	
3	YC1-3010872	Top gear box	1	
4	0202049	Screw M8X30 - GB/T70.1	10	
5	0213011	Elastic pin 8X20- GB/T119.1	2	
6	0214006	Bearing 6212-2RS - GB/T276	1	
7	YC1-3199596	Gear box pulley	1	
8	0204013	Nut M14 - GB/T6172.1	1	
9	0511052	V belt A580	1	
10	0205017	Washer D.14 - GB/T97.1	1	
11	0606005	O-ring 34.5X3.55 - GB/T3452.1	1	
12	YC1-4296942	Seal	1	
13	0213028	Tab 6X18 - GB/T1096	1	
14	0209009	Screw M8X16 - GB/T80	1	
15	YC1-3000166	Motor pulley	1	
16	202W-ZYDJPJ	Tab 6X30 - GB/T1096	1	
17	0213027	Tab 16X70 - GB/T1096	1	
18	YC1-3010885	Helical gear stud	1	
19	YC1-3010883	Worm	1	
20	0214007	Bearing 30204 - GB/T297	2	
21	YC1-3010886	Seal cap	1	
22	0202030	Screw M6X10 - GB/T70.1	2	
23	0212010	Seeger D.60 - GB/T894.1	1	
24	YC1-3015537	Helical gear	1	
25	0214005	Bearing 6212 - GB/T276	1	
26	YC1-3010873	Bottom gear box	1	
27	0204004	Nut M8 - GB/T889.1	10	

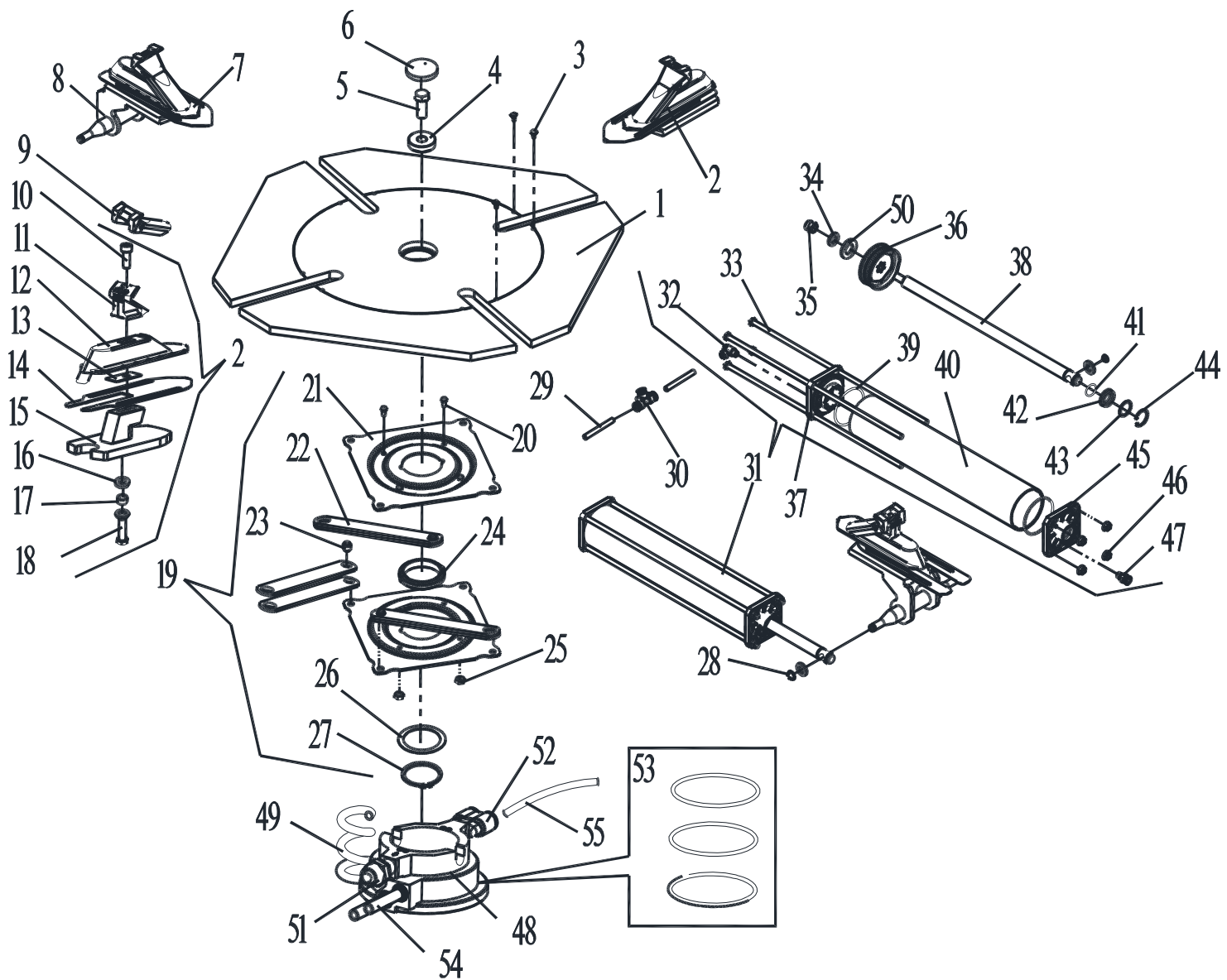
TAV.4.0	MOTOR – REDUCTION GEAR GROUP	ED. 01/23
---------	------------------------------	-----------

28	0203009	Nut M10 - GB52	1
29	0201050	Screw M10X35 - GB/T5783	1
30	YC1-3000164	Spherical washer	1
31a	0509097	Motor 110V/60Hz/1ph 1.1KW	1
31b	0509016	Motor 220V/50Hz/1ph 0.75KW	1
31c	0509062	Motor 220V/60HZ/3ph 0.8/1.1KW	1
31d	0509088	Motor 220V/50HZ/3ph 0.8/1.1KW	1
31e	0509065	Motor 230V/50Hz/1ph 0.75KW	1
31f	0509146	Motor 230V/50HZ/3ph 0.8/1.1KW	1
31g	0509017	Motor 380V/50HZ/3ph 0.8/1.1KW	1
31h	0509090	Motor 380V/60HZ/3ph 0.8/1.1KW	1
31i	0509050	Motor 400V/50HZ/3ph 0.8/1.1KW	1
31j	0509054	Motor 220/380V/50HZ/3ph 0.55KW	1
31k	0509066	Motor 220/380V/60HZ/3ph 0.55KW	1
31l	0509053	Motor 230/400V/50HZ/3ph 0.55KW	1
32	0203029	Nut M8 - GB/T6170	4
33	0205008	Washer D.8 - GB/T97.1	4
34	0201062	Screw M10X20 - GB/T5783	2
35	YC1-3000149A	Motor support	1
36	0201038	Screw M8X25 - GB/T5783	4
37	YC1-2011967	Reduction gear unit	1
38	0208007	Washer D.10 - GB/T93	6
39	YC1-2002001	Motor unit	1

ITEM	PART NUMBER	DESCRIPTION	QTY	REMARK
1	YC1-2006001	Bead breaker arm assembly	1	
2	YC1-2415574	Bead break arm	1	
3	0204013	Nut M14 - GB/T6172.1	2	
4	YC1-4299952	Ball	1	
5	0211015	Elastic washer D.14	2	
6	YC1-2412271	Bead breaker arm	1	
7	YC1-3013240	Protection cover	1	
8	0204005	Self-locking nut M10 - GB/T889.1	1	
9	0204008	Self-locking nut M16 - GB/T889.1	1	
10	0201099	Screw M16X90 - GB/T5782	1	
11	YC1-3000114A	Arm spring	1	
12	0202057	Screw M10X70 - GB/T70.1	1	
13	0212008	Seeger D.40 - GB/T894.1	2	
14	YC1-3008990	Pivot pin	1	
15	106B-3006002	Absorber protection	1	
16	0202071	Screw M12X35 - GB/T70.1	2	
17	YC1-3015573	Bush	2	
18	C00AQ10000	Bead breaker cylinder	1	
19	C00AQ10001	Cylinder liner 200X227.5	1	
20	0309104	O-ring 195X3.55	2	
21	C207010100	Front flange	1	
22	0204025	Flange nut M8 - GB/T6177.1	12	
23	0306032	90° quick union 8-1/4	2	
24	C02AQ00100	Quick discharge valve unit	1	
25	0306097	Rilsan hose 8X5 L=700	1	
26	0211004	Seeger D.30 - GB/T893.1	1	
27	YC1-4398146	Washer	1	

TAV.5.0	BEAD BREAKER		ED. 01/23
---------	--------------	--	-----------

28	0606016	Scraper 20X30X7	1
29	0606004	O-ring 20X2.75	1
30	0305041	Guide ring 67X9.5X2	1
31	0204009	Self-locking nut M18 - GB/T889.1	1
32	YC1-3015834-B	Piston rod	1
33	0309084	O-ring 16X2.65	1
34	C207010004	Seal 188X200X12	2
35	C207010001	Guiding ring	1
36	C207010002	Piston	1
37	C207010008	Seal support ring	2
38	0203022	Nut M18X1.5 - GB/T6171	1
39	0306097	Rilsan hose 8X5 L=750	1
40	0201175	Screw M8X248	12
41	C207010007	Back flange	1
42	0306086	Silencer G1/4	1
43	C02AQ00101	Valve body	1
44	0306039	Quick union 8-1/4	1
45	C02AQ00104	Seal	1
46	C02AQ00103	Seal	1
47	C02AQ00102	Valve cover	1
48	0306033	90° quick union 8-R1/8	1
49	106B-3006001	Shock absorber	1



ITEM	PART NUMBER	DESCRIPTION	QTY	REMARK
1	YC1-2112865	Turntable	1	
2	YC1-2015755	Slide guide assembly	2	
3	0215027	Rivet 5.05×15.5	8	
4	YC1-3009778	Washer	1	
5	0201100	Screw M16X1.5X40 - GB/T5786	1	
6	YC1-3000062	Turntable cap	1	
7	YC1-2015756	Slide guide assembly	2	
8	YC1-2415756	Slide guide	2	
9	YC1-3001468	Clamp cover	4	
10	0202055	Screw M10X1.25X25 - GB/T70.1	4	
11	YC1-3002297	Oversize clamp	4	
12	YC1-3006255	Slide	4	
13	YC1-3015858	Spacer	4	
14	YC1-3015169	Turntable plate	4	
15	YC1-2412860	Slide	2	
16	YC1-3006879	Spacer	4	
17	YC1-3006880	Connection rod spacer	4	
18	0201143	Screw M12X45	4	
19	YC1-2016001	Turntable flange assembly	1	
20	0201011	Screw M6X12	4	
21	YC1-3006869	Turntable flange	2	
22	YC1-3006870	Connecting plate	8	
23	YC1-3006878	Shaft	4	
24	YC1-3007420	Shaft sleeve	1	
25	0203004	Nut M6 - GB52	4	
26	YC1-3006869-A	Connection rod spacer	1	
27	0212011	Seeger D.65 - GB/T894.1	1	

TAV.6.1	SELF-CENTERING TURNTABLE	ED. 01/23
---------	--------------------------	-----------

28	0212001	Seeger D.12 - GB/T894.1	4	
29	0306097	Rilsan hose 8X5 L=140	1	
30	0306022	Quick T union D.8	1	Plastic
31	YC1-2008060	Turntable cylinder	2	
32	0306016	Union Φ 8 G1-8	2	
33		Screw M8X371	8	
34	0205013	Washer D.12 - GB/T97.1	10	
35	0204007	Nut M12 - GB/T889.1	2	
36		Piston	2	
37	QC-75-02	Back flange	2	
38		Piston rod	2	
39		O-ring 75X2.4	4	
40		Cylinder liner	2	
41		O-ring 20X2.5	2	
42		Scraper 20X30X7	2	
43		Bush 2010	2	
44	0211004	Seeger D.30 - GB/T893.1	2	
45	QC-75-01	Front Flange	2	
46	0204004	Nut M8 - GB/T6177.1	8	
47	0306045	Quick union 8-1/8	2	Plastic
48	YC1-2003000	Rotation union	1	
49	0306103	Spiral hose 8X5	1	
50	YC1-4198857	Washer	2	
51	0306069	Rotation union 8-1/8	1	
52	0306001	Quick T union 8-1/8	1	
53	0309066	O-ring 60X2.65	3	
54	0306097	Rilsan hose 8X5 L=1000	2	

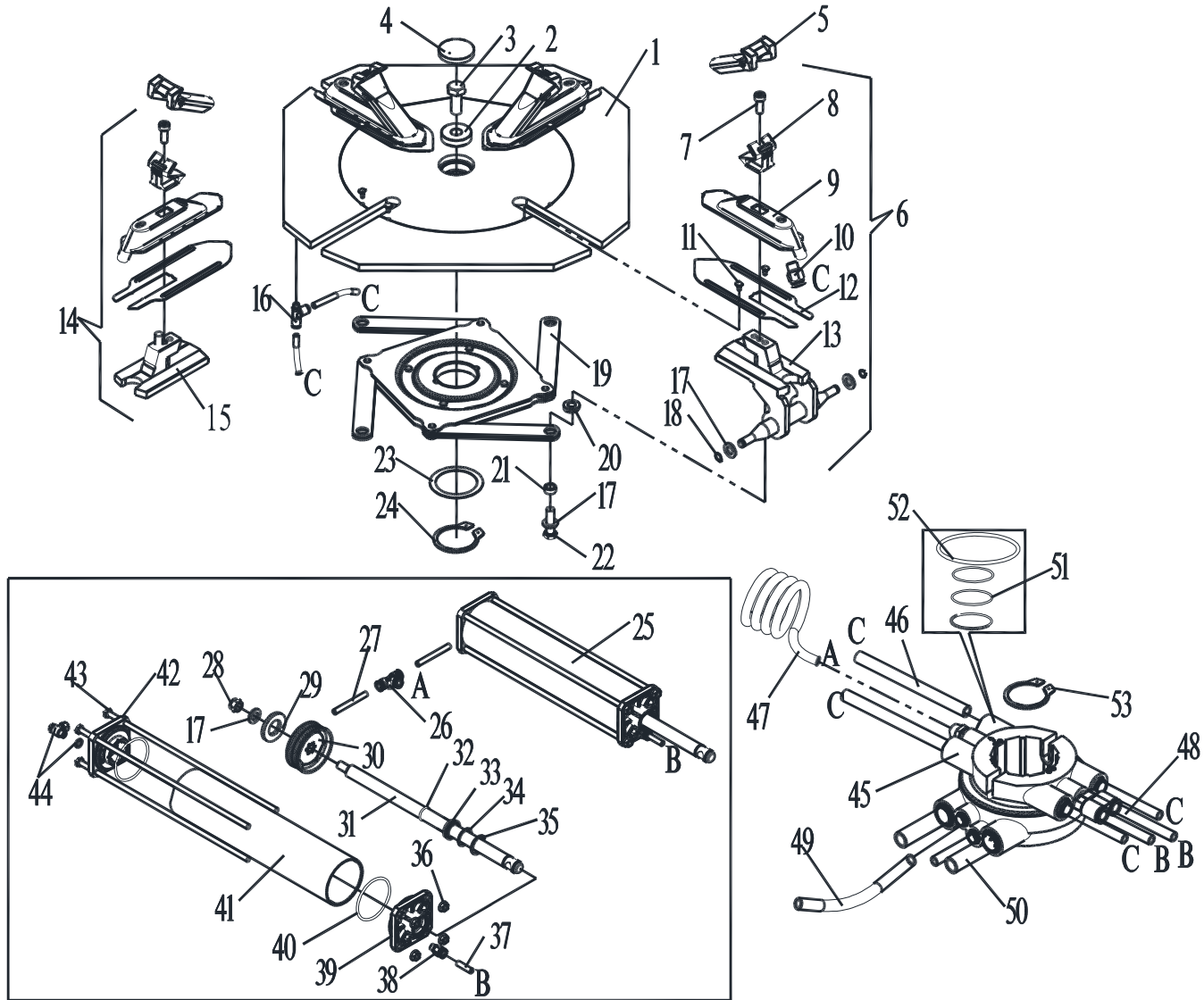
TAV.6.1	SELF-CENTERING TURNTABLE	ED. 01/23
---------	--------------------------	-----------

55

0306097

Rilsan hose 8X5 L=350

2

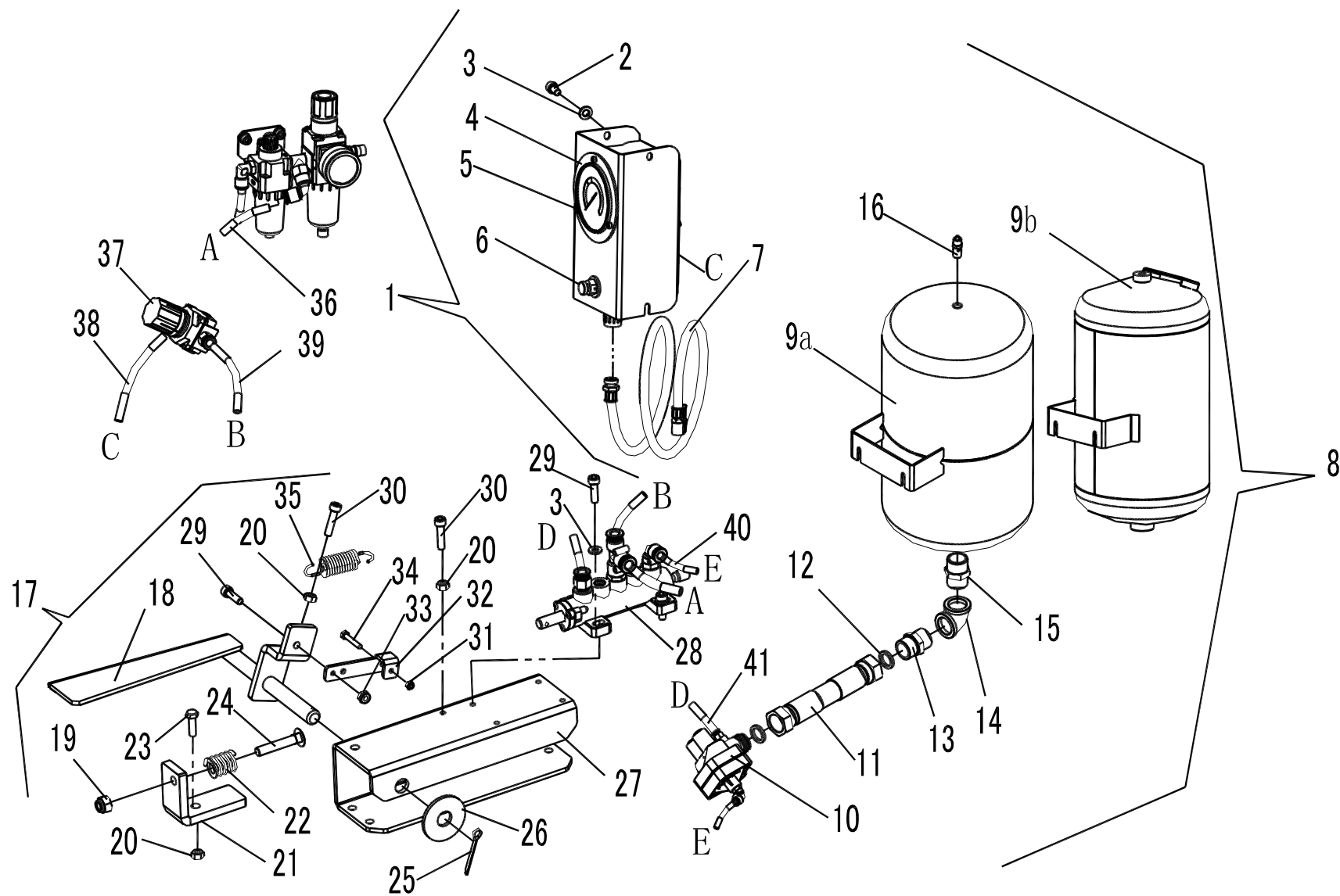


TAV.6.2	SELF-CENTERING TURNTABLE GT	ED. 01/23
---------	-----------------------------	-----------

ITEM	PART NUMBER	DESCRIPTION	QTY	REMARK
1	YC1-2112865	Turntable	1	
2	YC1-3009778	Washer	1	
3	0201100	Screw M16X1.5X40 - GB/T5786	1	
4	YC1-3000062	Turntable cap	1	
5	YC1-3001468	Clamp cover	4	
6	YC2-2015756	Clamp assembly	2	
7	0202055	Screw M10X1.25X25 - GB/T70.1	4	
8	YC1-3002297	Oversize clamp	4	
9	YC2-2407387	Slide	4	
10	0306042	Quick union 10-1/4	4	
11	YC1-3015187	Rivet	8	
12	YC1-3015169	Turntable plate	4	
13	YC1-2415756	Slide guide	2	
14	YC2-2015755	Slide guide	2	
15	YC1-2412860	Slide guide	2	
16	0306020	Quick Tee union10-1/8	4	
17	0205013	Washer D.12	10	
18	0212001	Seeger D.12	4	
19	YC1-2016001	Turntable flange	1	
20	YC1-3006879	Spacer	4	
21	YC1-3006880	Connection rod spacer	4	
22	0201072	Screw M12X1.25X45 - GB/T5786	4	
23	YC1-3006869-A	Connection rod spacer	1	
24	0212011	Seeger D.65	1	
25	YC1-2008060	Turntable cylinder	2	
26	0306022	Quick T union D.8	1	
27	0306097	Rilsan hose 8X5 L=70	2	

TAV.6.2	SELF-CENTERING TURNTABLE GT	ED. 01/23
---------	-----------------------------	-----------

28	0204007	Nut M12 - GB/T889.1	2
29	YC1-4198857	Washer	2
30		Piston	2
31		Piston rod	2
32		O-ring 20X2.5	2
33		Scraper 20X30X7	2
34		Bush 2010	2
35	0211004	Seeger D.30 - GB/T893.1	2
36	0204004	Nut M8 - GB/T6177.1	8
37	0306097	Rilsan hose 8X5 L=350	2
38	0306045	Quick union 8-1/8	2
39	QC-75-01	Flange	2
40		O-ring 75X2.4	4
41	YC1-3008042	Cylinder liner	2
42	QC-75-02	Back flange	2
43		Screw M8X371	8
44	0306016	Union 8-1/8	2
45	YC2-4298992	Rotation union GT	1
46	0306094	Rilsan hose 10X6.5 L=4200	4
47	0306157	Rilsan spiral hose 8X5.5 L=625	1
48	0306097	Rilsan hose 8X5 L=270	2
49	0306097	Rilsan hose 8X5 L=850	2
50	0306018	Rilsan hose 14X10 L=1000	2
51	0309065	O-ring 63X2.65 - GB/T3452.	3
52	0309067	O-ring 90X1.8 - GB/T3452.1	1
53	0212009	Seeger D.50 - GB/T894.1	1

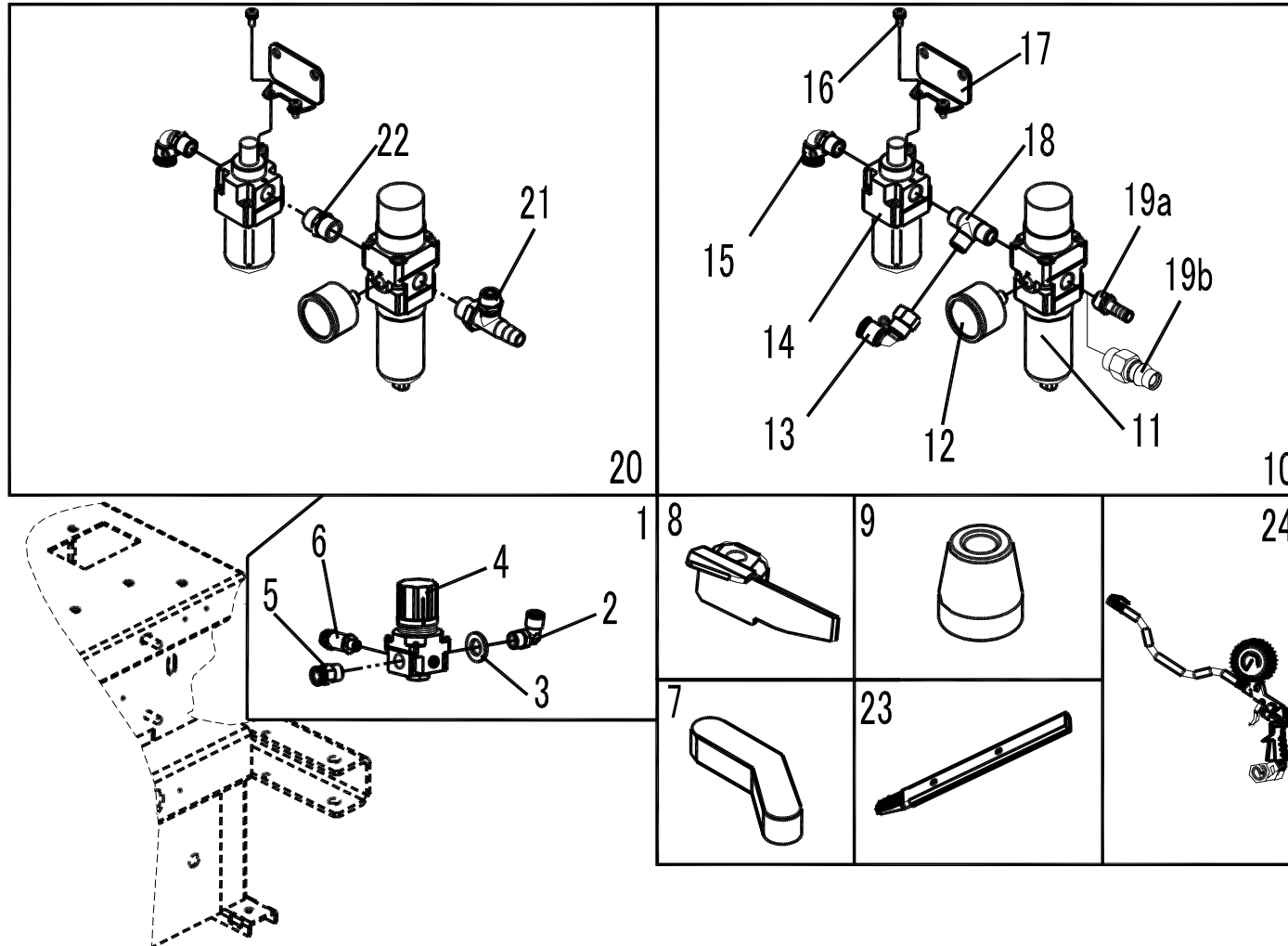


TAV.7.0	GT INFLATING DEVICE	ED. 01/23
---------	---------------------	-----------

ITEM	PART NUMBER	DESCRIPTION	QTY	REMARK
1	YC2-2014217A	GT pneumatic unit	1	
2	0202030	Screw M6X10 - GB/T70.1	2	
3	0205006	Washer D.6 - GB/T97.1	6	
4	0305058	Pressure gauge	1	
5	0202008	Screw M4X8 - GB/T70.1	5	
6	YC2-4299354	Relief valve	1	
7	0306110	GT control unit hose 1/4 L=1500	1	
8	C22A070000	Air tank unit	1	
9a	YC2-2402899	Air tank	1	
9b	YC2-2402899A	Air tank CE	1	
10	YC2-4198531	Pneumatic valve	1	
11	0306340	Rilsan hose	1	
12	C04A301013	Seal	2	
13	0306343	Rotation union 1"	1	
14	0511076	Elbow union 1"	1	
15	0511133	Union 1"	1	
16	0306004	Safety valve 1/4 10bar	1	
17	YC2-2012486	GT valve control	1	
18	YC2-2410288	GT pedal	1	
19	0204004	Nut M8 - GB/T889.1	1	
20	0203004	Nut M6 - GB52	3	
21	YC2-3008005	Limit stop screw support	1	
22	YC2-4298942	Spring	1	
23	0201014	Screw M6X20 - GB/T5783	1	
24	0201170	Screw M8X45 - GB/T794	1	
25	0213020	Pin 3X30	1	
26	0205016	Washer 14	1	

TAV.7.0	GT INFLATING DEVICE	ED. 01/23
---------	---------------------	-----------

27	YC2-3010287	Valve unit support	1
28	YC2-2009718	GT valve unit	1
29	0202033	Screw M6X20 - GB/T70.1	5
30	0202034	Screw M6X25 - GB/T70.1	2
31	0204001	Locking nut M4 - GB/T889.1	1
32	YC2-3001853	Valve control lever	1
33	0204003	Self-locking nut M6 - GB/T889.1	2
34	0201002	Screw M4X25	1
35	YC2-3000141	Spring	1
36	0306097	Rilsan hose 8X5 L=1000	1
37	C00AQ58000	Safety valve unit 3.5bar	1
38	0306097	Rilsan hose 8X5 L=850	1
39	0306097	Rilsan hose 8X5 L=400	1
40	0306095	Rilsan hose 6X4 L=400	2
41	0306097	Rilsan hose 8X5 L=500	1



TAV.8.0

INFLATOR+LUBRICATION GROUP

ED. 01/23

ITEM	PART NO.	DESCRIPTION	QTY	REMARK
1	C00AQ58000	Safety valve unit 3.5bar	1	
2	0306037	90° quick union 8-1/4	1	
3	0205013	Washer D.12 - GB/T97.1	1	
4	0306327	Pressure regulator	1	
5	0306044	Quick union 8-1/4	1	
6	0306106	Pressure relief valve 1/8 5.5bar	1	
7	YC1-3013650	Plastic insert	5	
8	YC1-3006689	Plastic insert	5	
9	0215032	Peak roller	1	
10a	C00AQ52000	SMC lubricator + filter regulator	1	
10b	C00AQ53000	SMC lubricator + filter regulator(Quick union)	1	
11	0306278	AW20-F02C-2R-A filter	1	
12	0306052	Pressure gauge C1-G36-10-01	1	
13	0306039	90° quick union 8-1/4	1	
14	0306284	AL20-F02-CR-A lubricator	1	
15	0306032	90° quick union 8-1/4	1	
16	0206059	Screw M4X8	2	
17	C00AQ51001	Support	1	
18	0306077	G1/4	1	
19a	0306008	Union 8-1/4	1	
19b	0306112	Quick union 1/4	1	
20	C00AQ51000	SMC lubricator + filter regulator	1	
21	0306007	Tee union 8-1/4	1	
22	0306073	Union 1/4	1	
23	C00A000017	Bead lifting lever cover	1	
24	YC1-2001000	Inflating gun	1	